

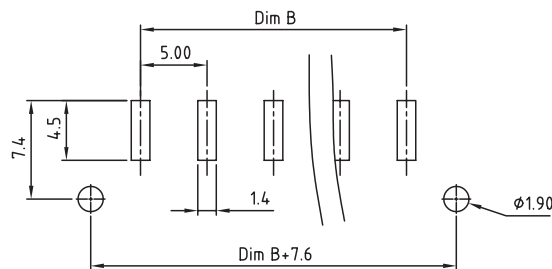
1

2

3

4

5



PCB LAYOUT - COMPONENT VIEW

TECHNICAL CHARACTERISTICS

**MATERIAL**  
 INSULATOR: HI TEMP PA46  
 FLAMMABILITY RATING: UL94-V0  
 COLOR: BLACK  
 METAL HOUSING: BRASS (CuZn)  
 TERMINAL SCREW: STEEL ZINC PLATING "-" SLOT TYPE  
 WIRE GUARD: STAINLESS STEEL  
 SURFACE OF SOLDER TAIL PLATING: TIN

**ENVIRONMENTAL**  
 OPERATING TEMPERATURE: -40 UP TO 130°C  
 COMPLIANCE: LEAD FREE AND ROHS

**ELECTRICAL**  
 CURRENT RATING: 6 A  
 WORKING VOLTAGE: 300 VAC  
 WITHSTANDING VOLTAGE: 1.6 KV  
 CONTACT RESISTANCE: 20 mOhm MAX

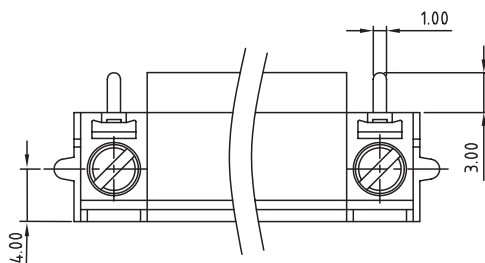
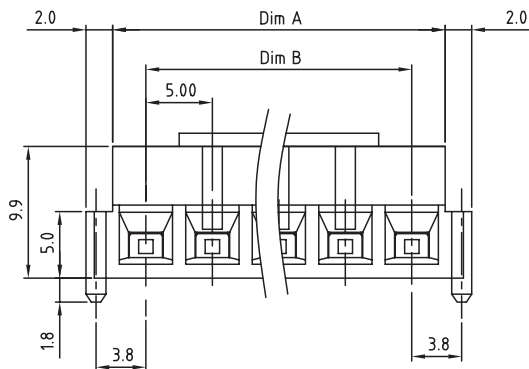
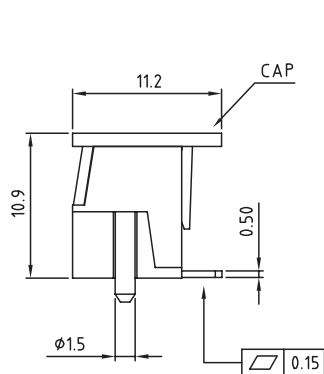
**STANDARD**  
 CEUS CERTIFIED E315414

**MECHANICAL**  
 SOLID WIRE: 30-14 AWG / 0.0508-2.08 MM<sup>2</sup>  
 STRANDED WIRE: 30-14 AWG / 0.0508-2.08 MM<sup>2</sup>  
 TORQUE: 3.5 Lb.In / 0.4 Nm

WIRE STRIPE LENGTH: 7-8 MM  
 SCREW: M3  
 PITCH: 5.0 MM

**SOLDERING**  
 JEDEC LEAD FREE REFLOW SOLDERING PROCESS

**PACKAGING**  
 TAPE & REEL WITH CAP



N = Number of poles  
 Dim A = N x 5.0  
 Dim B = (N - 1) x 5.0

	Dim A	Dim B
2-4p	±0.15	±0.10
5-7p	±0.20	±0.20

RoHS Compliant

PROJECTION:



GENERAL TOLERANCE

.X = +/- 0.2  
 .XX = +/- 0.15



APPROVAL: FBr

UNIT: MM

SCALE:

SHEET: 1/3

DRAW: MARVIN

**DESCRIPTION: SERIE 7097 -SMD 5.0MM HORIZONTAL ENTRY MODULAR WITH PRESSURE CLAMP - WR-TBL**

**WERI PART NO: 691 709 710 3xx**

SIZE

**A4**

G			
F			
E			
D			
C	30-MAY-16	TPK	AK
B	17-AUG-10	DIMENSION	GG
A	21-JUN-10	PDF	JP
REV	DATE	FILE	BY

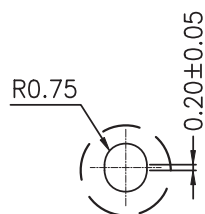
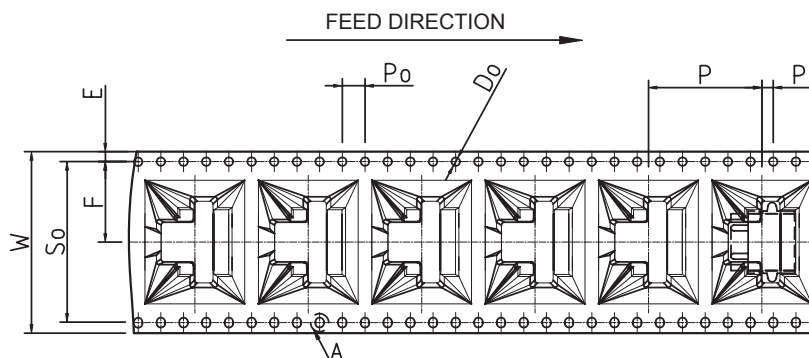
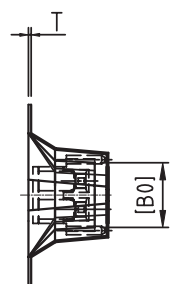
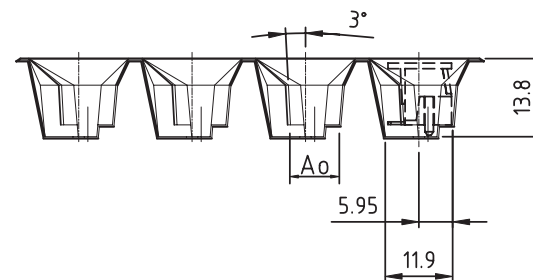
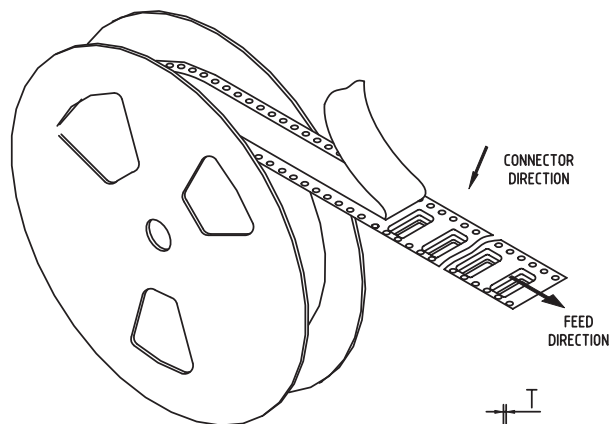
1

2

3

4

5



DETAIL: "A"

EIA DIMENSIONS	
W	32.0±0.3
E	1.75±0.10
F	14.2±0.10
So	28.4±0.10
P	20.0±0.10
Po	4.0±0.10
P2	2.0±0.10
Do	∅1.5 <sup>+0.10</sup> <sub>-0.00</sub>
D1	
T	0.50±0.05
Ao	8.60±0.10
Bo	11.40±0.10
Ko	13.80±0.10

RoHS Compliant

PROJECTION:



GENERAL TOLERANCE

.X = +/- 0.2

.XX = +/- 0.15



APPROVAL: FBr

UNIT: MM

SCALE:

SHEET: 2/3

DRAW: AK

DESCRIPTION: SERIE 7097 -SMD 5.0MM HORIZONTAL ENTRY MODULAR WITH PRESSURE CLAMP - 2.0MM² WIRES WR-TBL

WERI PART NO: 691 709 710 3xx

SIZE

A4

G			
F			
E			
D			
C			
B			
A			
REV	DATE	FILE	BY

1

2

3

4

5

## Cautions and Warnings:

This electronic component is designed and developed with the intention for use in general electronics equipments.

Before incorporating the components into any equipments in the field such as aerospace, aviation, nuclear control, submarine, transportation, (automotive control, train control, ship control), transportation signal, disaster prevention, medical, public information network etc. where higher safety and reliability are especially required or if there is possibility of direct damage or injury to human body, Würth Elektronik must be asked for a written approval.

In addition, even electronic component in general electronic equipments, when used in electrical circuits that require high safety, reliability functions or performance, the sufficient reliability evaluation-check for the safety must be performed before by the user before usage.

A

B

C

RoHS Compliant

G				PROJECTION: 	GENERAL TOLERANCE .X = +/- 0.2 .XX = +/- 0.15		
F							
E							
D							
C				APPROVAL: JC	UNIT: MM	DESCRIPTION: DISCLAIMER	SIZE <b>A4</b>
B					SCALE:		
A	10-SEP-14	PDF	QL		SHEET: 3/3	WERI PART NO: DISCLAIMER	
REV	DATE	FILE	BY		DRAW: QL		

D