



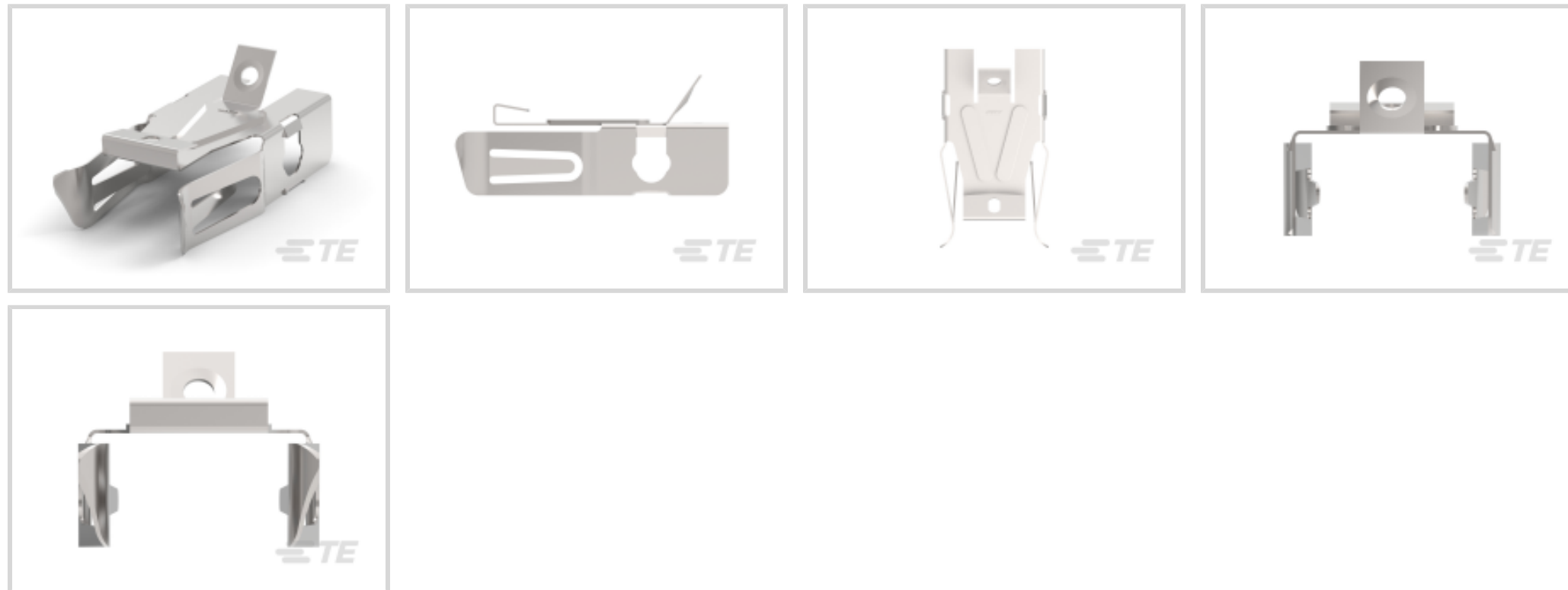
Appliance Connectors

TE Internal #: 640750-1

Unplated Plating, Reel, -40 – 200 °C [-40 – 356 °F], Appliance Connectors, Special Purpose Terminals

[View on TE.com >](#)

Terminals & Splices > Special Purpose Terminals



Terminal Material Thickness: .51 mm [ .02 in ]

Terminal Plating Material: **Unplated**

Packaging Method: **Reel**

Wire Insulation Support: **Without**

Sealable: **No**

**Features**

**Product Type Features**

Terminal Features	Heavy Duty
Sealable	No

**Contact Features**

Terminal Plating Material	Unplated
---------------------------	----------

**Mechanical Attachment**

Wire Insulation Support	Without
-------------------------	---------

**Dimensions**

Terminal Material Thickness	.51 mm [.02 in]
-----------------------------	-----------------

**Usage Conditions**

Insulation Option	Uninsulated
Operating Temperature Range	-40 – 200 °C [-40 – 356 °F]

**Packaging Features**

Packaging Quantity	1000
Packaging Method	Reel

## Product Compliance

For compliance documentation, visit the product page on [TE.com](#)>

EU RoHS Directive 2011/65/EU	Compliant
EU ELV Directive 2000/53/EC	Compliant
China RoHS 2 Directive MIIT Order No 32, 2016	No Restricted Materials Above Threshold
EU REACH Regulation (EC) No. 1907/2006	Current ECHA Candidate List: JUNE 2024 (241) Candidate List Declared Against: JUNE 2024 (241) Does not contain REACH SVHC
Halogen Content	Low Halogen - Br, Cl, F, I < 900 ppm per homogenous material. Also BFR/CFR/PVC Free
Solder Process Capability	Not applicable for solder process capability

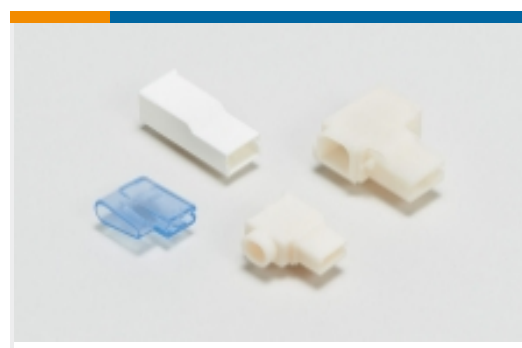
### Product Compliance Disclaimer

This information is provided based on reasonable inquiry of our suppliers and represents our current actual knowledge based on the information they provided. This information is subject to change. The part numbers that TE has identified as EU RoHS compliant have a maximum concentration of 0.1% by weight in homogenous materials for lead, hexavalent chromium, mercury, PBB, PBDE, DBP, BBP, DEHP, DIBP, and 0.01% for cadmium, or qualify for an exemption to these limits as defined in the Annexes of Directive 2011/65/EU (RoHS2). Finished electrical and electronic equipment products will be CE marked as required by Directive 2011/65/EU. Components may not be CE marked. Additionally, the part numbers that TE has identified as EU ELV compliant have a maximum concentration of 0.1% by weight in homogenous materials for lead, hexavalent chromium, and mercury, and 0.01% for cadmium, or qualify for an exemption to these limits as defined in the Annexes of Directive 2000/53/EC (ELV). Regarding the REACH Regulation, the information TE provides on SVHC in articles for this part number is based on the latest European Chemicals Agency (ECHA) 'Guidance on requirements for substances in articles' posted at this URL: <https://echa.europa.eu/guidance-documents/guidance-on-reach>

## Compatible Parts



Also in the Series | [Appliance Connectors](#)

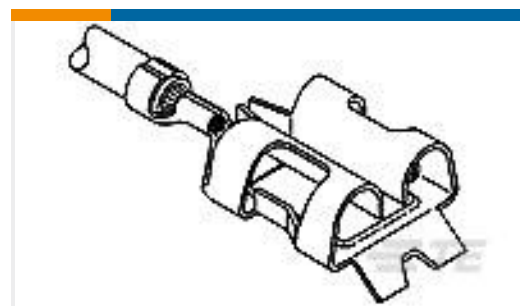
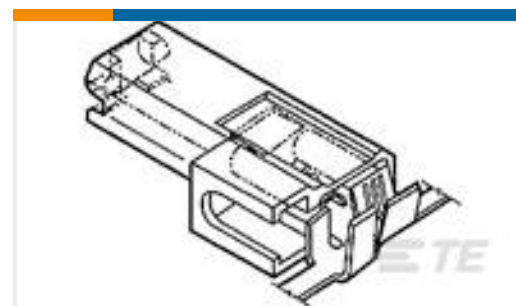


Crimp Terminal Housings(1)



Special Purpose Terminals(10)

## Customers Also Bought

TE Part #177909-1  
STD Temp Power Double Lock CapTE Part #2132781-8  
08P EP-II HOUSING, NATURALTE Part #2132781-7  
07P EP-II HOUSING, NATURALTE Part #794760-1  
06P UMNL CAP HSG WHITE,PAN MNTTE Part #640051-1  
RING TONGUE .164 18-14 AWG SSTTE Part #640748-7  
HEAVY DUTY BURNER REC 18-14  
AWG PHBRZTE Part #1969106-2  
ULTRA-POD 187 ASSY REC 22-16  
AWG TPBRTE Part #63748-1  
187 FASTON FLAG REC 20-16 AWG  
BRTE Part #60742-1  
187 FASTON REC 18-14 AWG BR

## Documents

### Product Drawings

HEAVY DUTY BURNER CLIP ST

English

### CAD Files

3D PDF

3D

Customer View Model

ENG\_CVM\_CVM\_640750-1\_AP.2d\_dxf.zip



English

**Customer View Model**

[ENG\\_CVM\\_CVM\\_640750-1\\_AP.3d\\_igs.zip](#)

English

**Customer View Model**

[ENG\\_CVM\\_CVM\\_640750-1\\_AP.3d\\_stp.zip](#)

English

By downloading the CAD file I accept and agree to the [Terms and Conditions](#) of use.

---

**Product Specifications**

[Application Specification](#)

English

---

**Agency Approvals**

[UL Report](#)

English