

NOTES1:

- UL Standard
- 1. Rated voltage/current : 300V / 15A
- 2. Withstanding voltage : AC1600V/1Min.

IEC Standard

1. Pollution degree	2	2	3
Overvoltage category	II	III	III
Rate impulse voltage(KV)	4KV	4KV	4KV
Rate voltage(V)	630V	320V	320V
Rate current(A)	20A		

NOTES2:

- 1. Dimension shall be interpreted per ASME Y14.5-2009
- 2. Pitch : 5.08mm, Poles : N=02~24P
- 3. Operating temperature: -40°C~+105°C
- 4. Undimensioned tolerances:

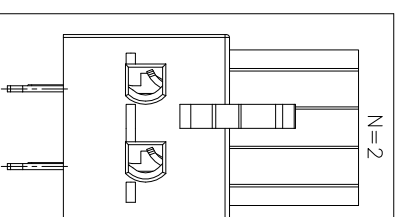
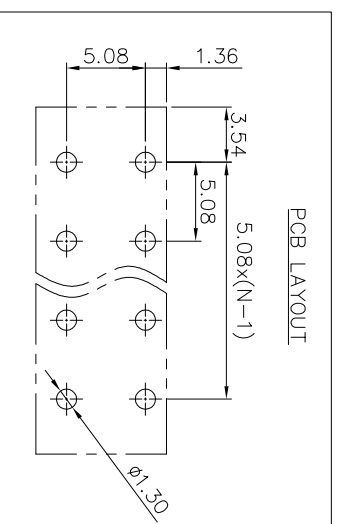
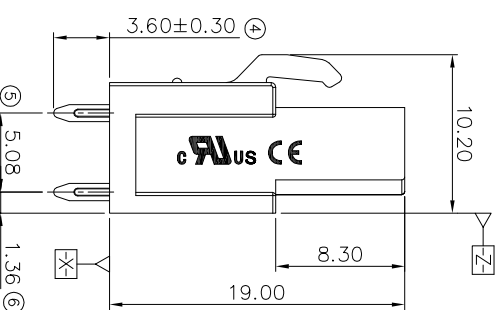
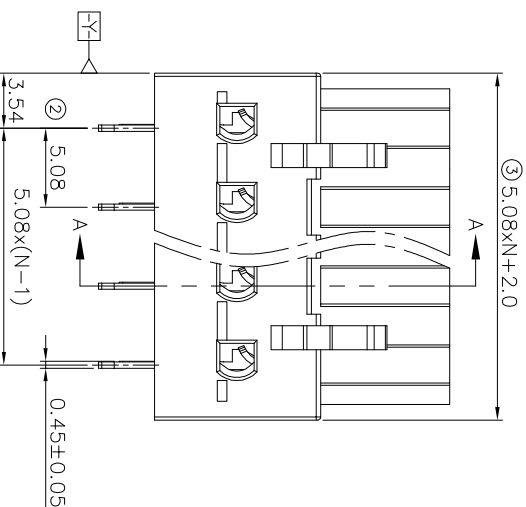
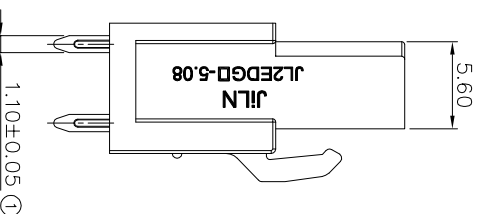
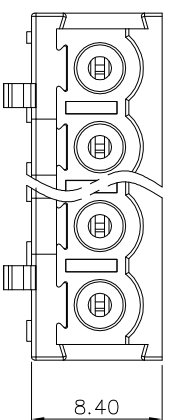
Pitch range in mm	Nominal dimension range in mm						-	0	10
	Over	TO	Over	TO	Over	TO			
6	10	TO	30	TO	60	TO	100	150	0.1/10
10	24	TO	60	TO	100	TO	150		<
±0.15±0.20±0.30±0.30±0.50±0.70 ±1.00 ±1.30 ±2:									

5. RoHS Compliance

Ordering Information

JL2EDGB - 508 XX G 0 1

Pitch 508=5.08PH
 No. of pins 2P,3P,4P~12P
 Housing Color B=Black, G=Green, U=Blue, R=Red, V=White, Y=Yellow, D=Orange, E=Grey
 Packing 0=Pe bag, T=Tube, A=Tray



REVISION RECORD				
REV	ECN	DESCRIPTION	DRFT	DATE
A0		NEW		21.06.10

DRAW	SHUANGPING ZHENG
CHECK	LICHAD LIU
APPROVE	YONGLIANG GAO

SCALE	FIT
UNIT	mm
SIZE	A4
SHEET	1/1
PRDJ	

jiln 东莞市锦凌电子有限公司
 DONGGUAN JINLING ELECTRONIC CO., LTD

PART NO. JL2EDGB-508XXG01

TITLE: JL2EDGB-5.08-XXP插拔式母座/直脚绿色