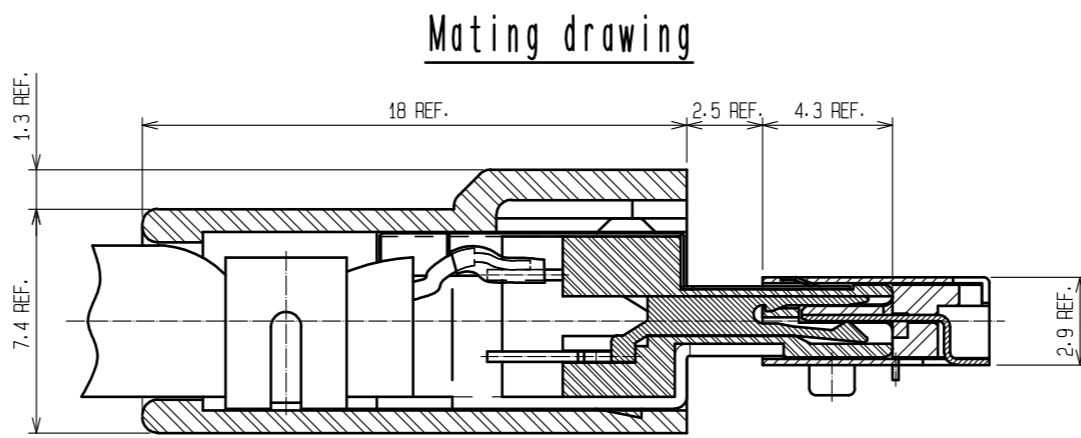
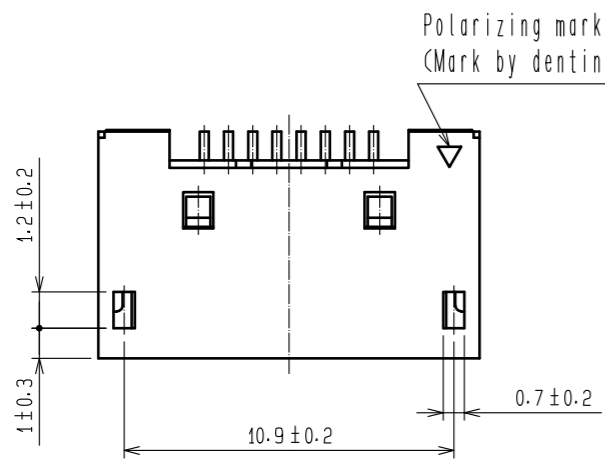
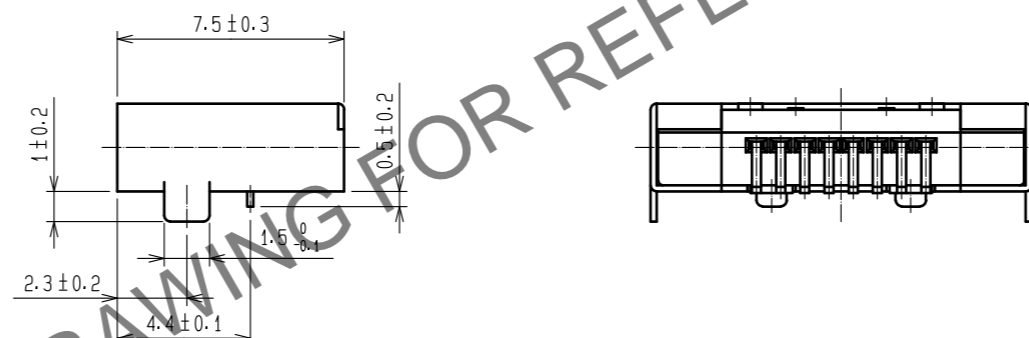
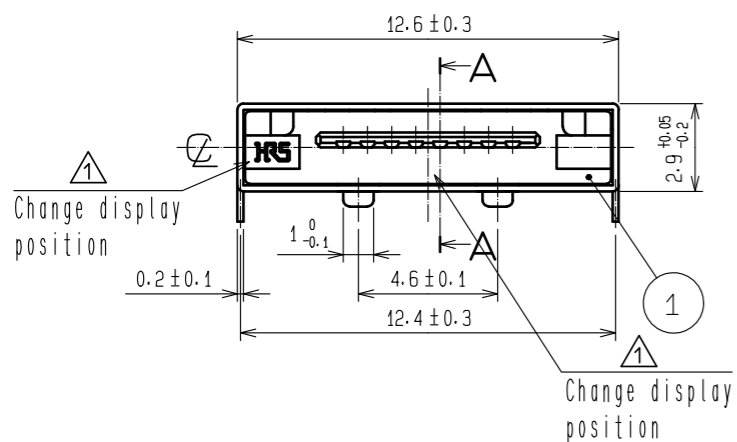
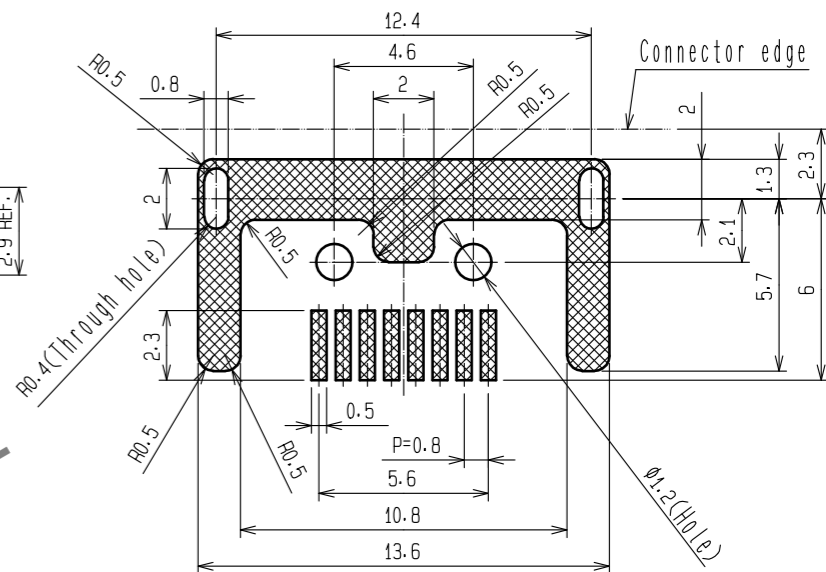


Jul.1.2024 Copyright 2024 HIROSE ELECTRIC CO., LTD. All Rights Reserved.
 In case of consideration for using Automotive equipment / device which demand high reliability, kindly contact our sales window correspondents.



2 Recommended PC Board pattern (Mounting side)

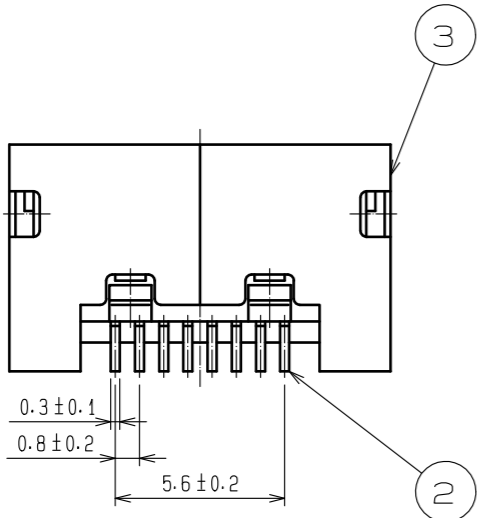
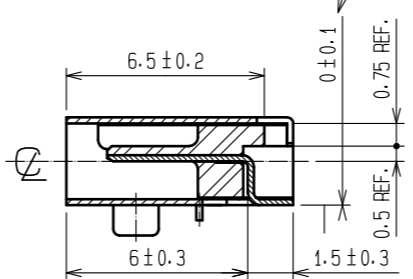


Note 1. Lead coplanarity to be 0.1 max.

2 Tolerances to be the dimension for reference unless otherwise specified

3 The packing amount and packing form might change according the number orders

A-A Dimension of contact position

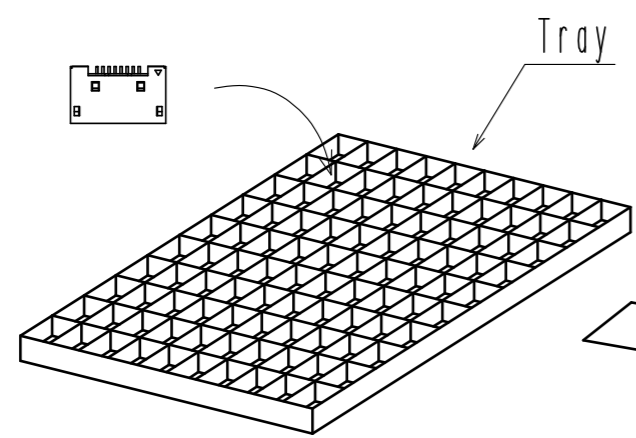


2	PHOSPHOR BRONZE	CONTACT AREA : GOLD 0.2μm MIN. MOUNTING AREA : GOLD 0.03μm MIN. UNDER PLATING : NICKEL 2μm MIN.	3	STAINLESS STEEL	MOUNTING AREA : SELECTIVE GOLD 0.03μm MIN. UNDER PLATING : NICKEL 0.2μm MIN.		
1	PPS	BLACK UL94V-0					
NO.	MATERIAL	FINISH . REMARKS	NO.	MATERIAL	FINISH . REMARKS		
UNITS mm		SCALE 4 : 1	COUNT 2	DESCRIPTION OF REVISIONS DIS-E-00002550	DESIGNED TA. TORIHARA	CHECKED MN. KENJO	DATE 20190920
HRS HIROSE ELECTRIC CO., LTD.		APPROVED : NM. NISHIMATSU 20160408	DRAWING NO. EDC-046585-55-00				
		CHECKED : NM. NISHIMATSU 20160408	PART NO. 3260-8S2(55)				
		DESIGNED : P. EKSOURIYA 20160408	CODE NO. CL232-0009-6-55				
		DRAWN : P. EKSOURIYA 20160408					

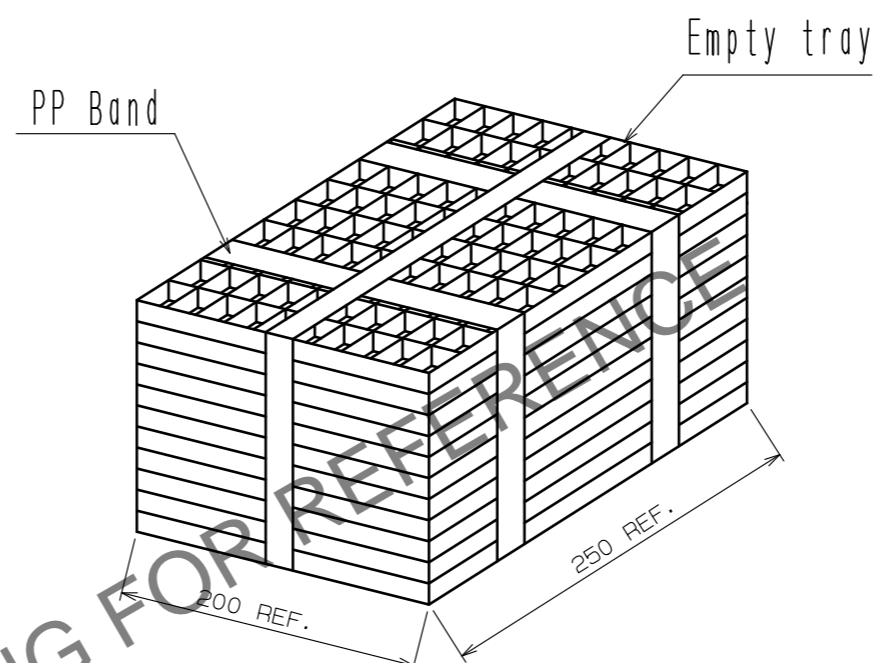
In case of consideration for using Automotive equipment / device which demand high reliability, kindly contact our sales window correspondents.

3 Packaging

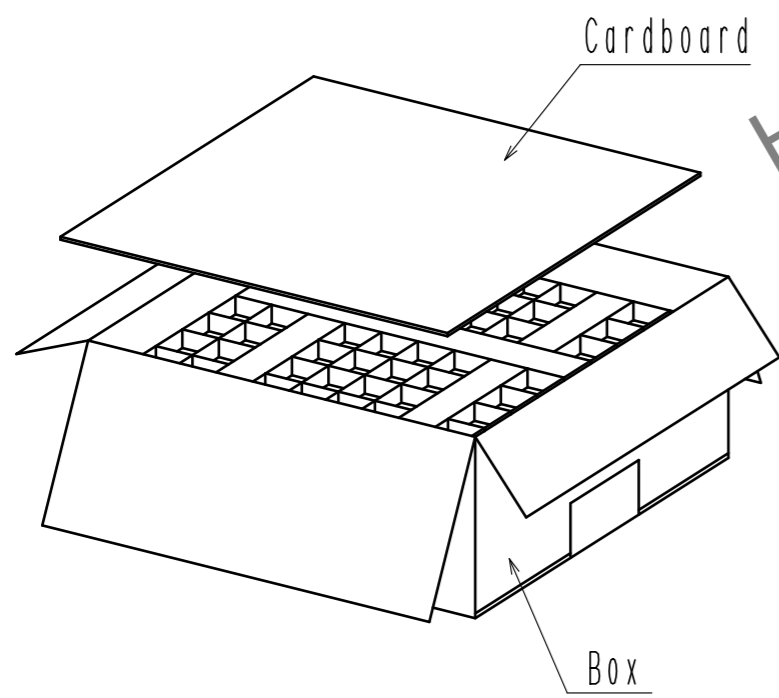
1. The connector is put in a tray in 100 PCS.



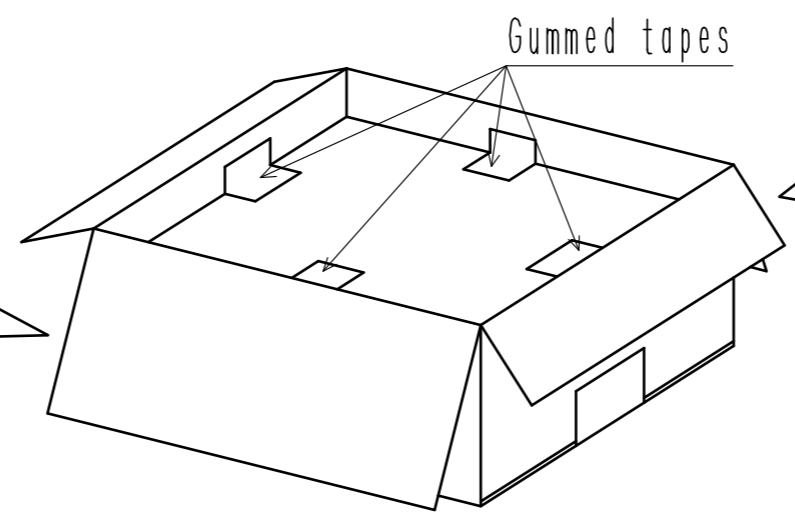
2. 10 trays of the connector are piled up aternately. Connector quality 1000 PCS.



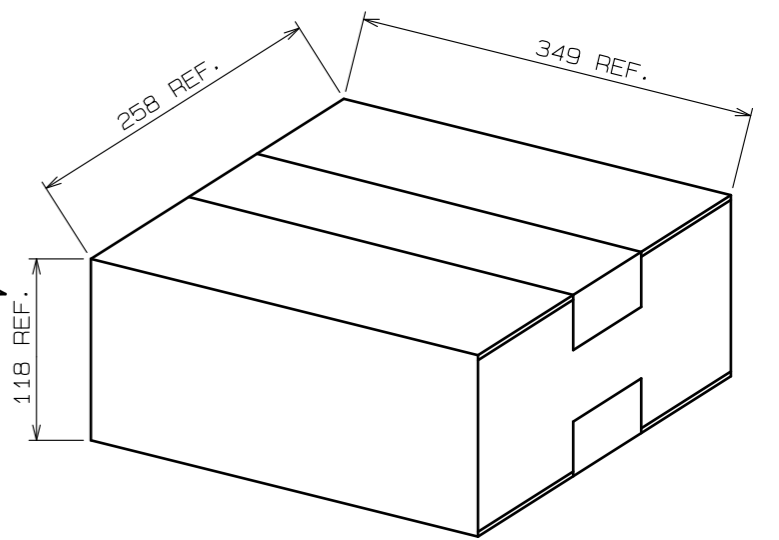
3. Piled up a pack of trays which banded in a box. Cover the top with the cardboard.



4. Fasten up the box and the cardboards with gummed tapes.



5. Close the box and fasten up with gummed tapes.



HRS DRAWING FOR REFERENCE

HRS	DRAWING NO.	EDC-046585-55-00	
	PART NO.	3260-8S2(55)	
	CODE NO.	CL232-0009-6-55	