

Hole Plugs *HPN4PC Series*

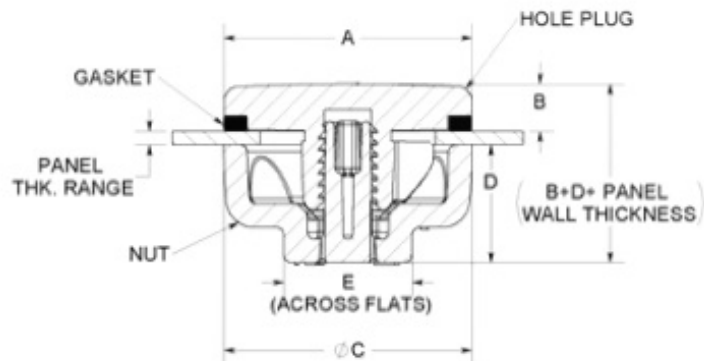


Features

- Designed to seal unused pushbutton holes, conduit openings and knockout holes against dust, oil and water.
- Standard Pushbutton size is 30.5mm

Type 4X Polycarbonate Hole Plug

- Available in 11 sizes.
- Available in 2 color options - ANSI 61 Gray (GY) & RAL7035 Light Gray (LG)
- Compatible with enclosure wall thickness from 16 gauge to 1/4"
- Self centering, anti-rotational design for fast and easy one person installation, no tools required
- Recognized component for use with UL & CSA listed enclosures
 - Type 1, 3, 3R, 4, 4X
- Molded in polycarbonate with neoprene/EPDM gasket material



RAL7035 Part No.	ANSI 61 Part No.	Description	Plugged Hole		Wall Thickness					
			Diameter	Range	Range	A	B	C	D	E
HP12PCLG	HP12PCGY	Pilot Light (.50)	0.50	- 0.81	0.06 - 0.25	1.12	0.23	1.06	0.50	0.55
HP50PCLG	HP50PCGY	.5" Conduit (.875) 22mm PB (.886)	0.81	- 0.94	0.06 - 0.25	1.25	0.23	1.19	0.50	0.60
HP75PCLG	HP75PCGY	.75" Conduit (1.109) 30mm PB (1.21)	1.00	- 1.31	0.06 - 0.25	1.62	0.23	1.56	0.50	0.94
HP100PCLG	HP100PCGY	1" Conduit (1.375)	1.38	- 1.62	0.06 - 0.25	1.92	0.23	1.87	0.50	0.94
HP125PCLG	HP125PCGY	1.25" Conduit (1.734)	1.69	- 1.88	0.06 - 0.25	2.18	0.23	2.12	0.50	1.20
HP150PCLG	HP150PCGY	1.5" Conduit (1.984)	2.00	- 2.19	0.06 - 0.25	2.50	0.23	2.44	0.50	1.20
HP200PCLG	HP200PCGY	2" Conduit (2.469)	2.50	- 2.75	0.06 - 0.25	3.12	0.23	3.06	0.75	1.29
HP250PCLG	HP250PCGY	2.5" Conduit (2.969)	2.88	- 3.12	0.06 - 0.25	3.50	0.23	3.44	0.75	1.49
HP300PCLG	HP300PCGY	3" Conduit (3.594)	3.50	- 3.75	0.06 - 0.25	4.12	0.23	4.06	0.75	1.49
HP350PCLG	HP350PCGY	3.5" Conduit (4.125)	4.00	- 4.25	0.06 - 0.25	4.62	0.23	4.56	0.75	1.49
HP400PCLG	HP400PCGY	4" Conduit (4.641)	4.50	- 4.75	0.06 - 0.25	5.12	0.23	5.06	0.75	1.49

