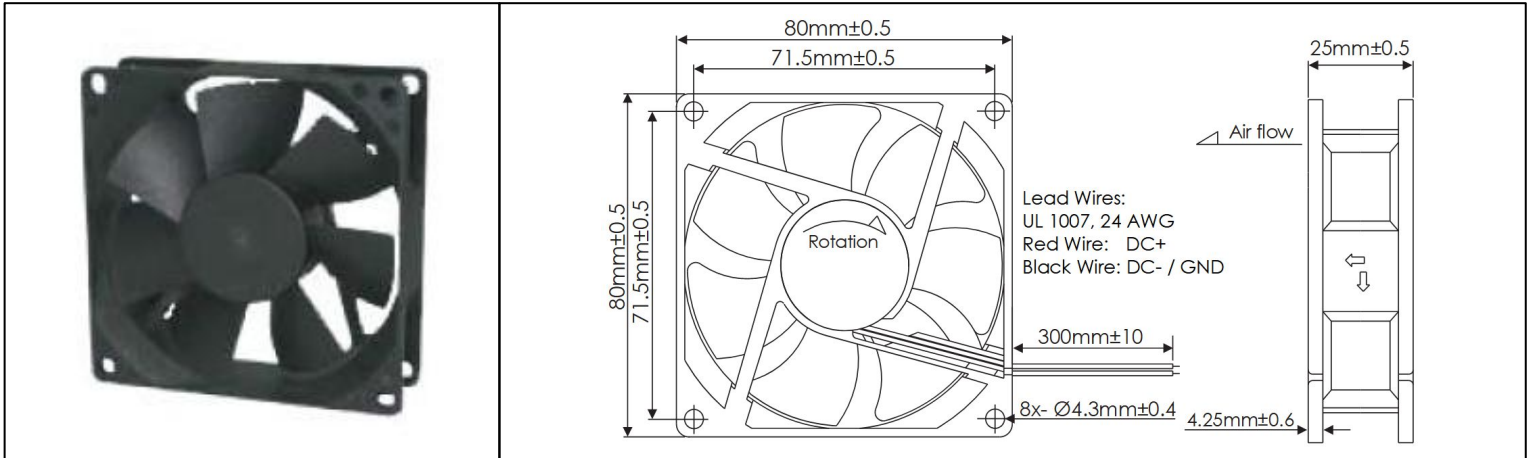


183141301 (OD8025-12HBIP55)



DC Fan - 12V
80mm x 25mm (3.15" x 1.0")



Frame	PBT, UL94 V-0 Plastic	Operating Temperature -20°C ~ +65°C Storage Temperature -25°C ~ +75°C Life Expectancy 65,000 Hours (L10 at 45°C) Installed Options IP55 Rating Weight: 0.19 lbs	
Impeller	PBT, UL94 V-0 Plastic		
Connection	2x Lead Wires, 24 AWG		
Motor	Brushless DC, Auto Cutoff, Auto Restart, Polarity Protected, Electronically Protected, IP55		
Bearing System	Ball Bearings		
Dielectric Strength	500VDC/min, < 1mA		
Insulation Resistance	≥10MΩ @ 500V DC		

Part Number	Rated Voltage (Volts DC)	Voltage Range (Volts DC)	Input Power (Watts)	Rated Current (Amps)	Rated Speed (RPM)	Max Airflow (CFM)	Noise Level (dBA)	Max Static Pressure (\"H ₂ O)
183141301 (OD8025-12HBIP55)	12	8 ~ 13.8	1.8	0.18	3100	40.1	33	0.15