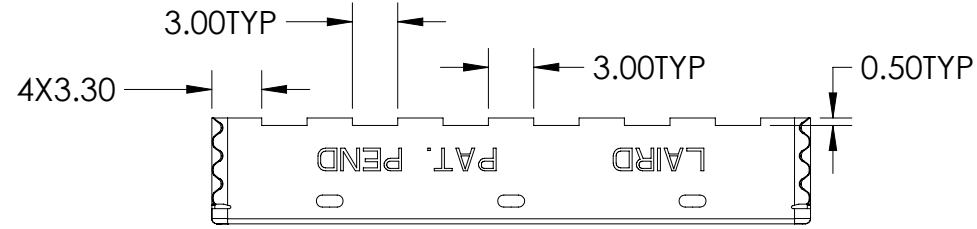
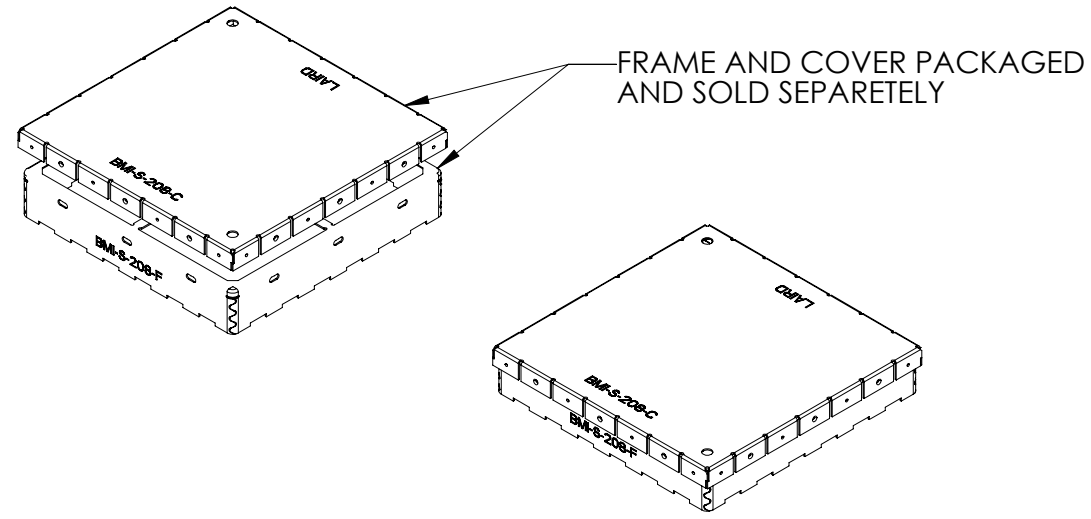
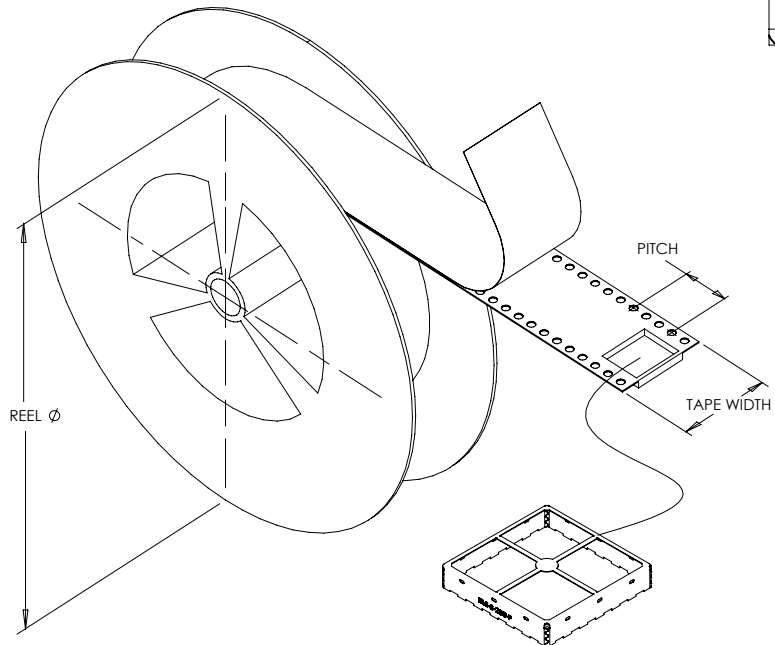
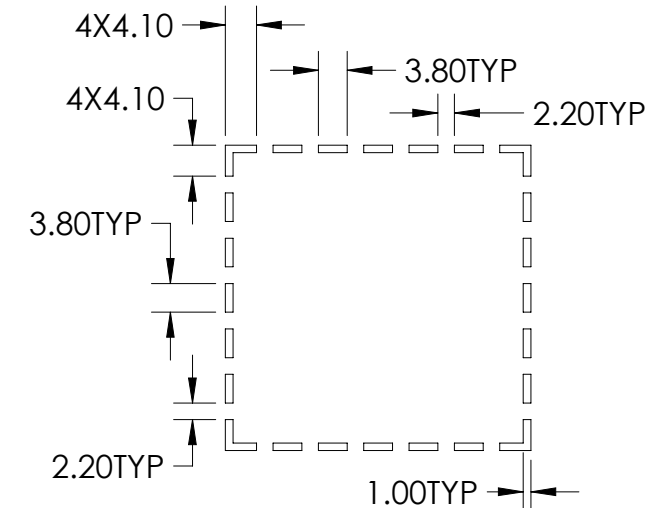
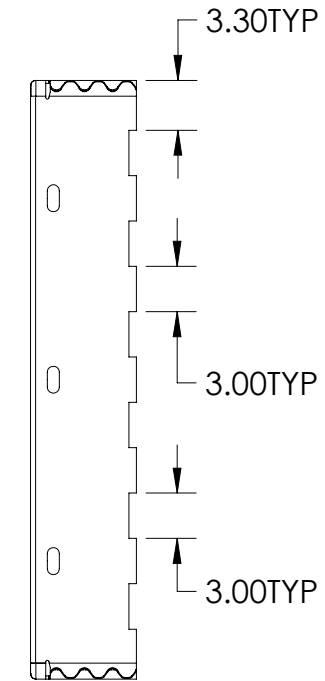
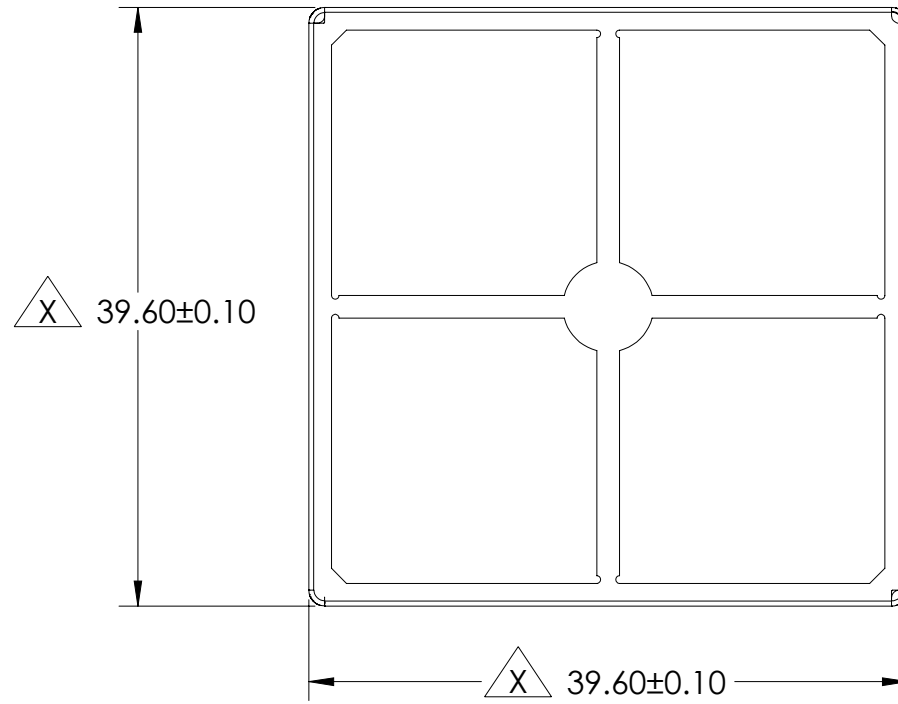
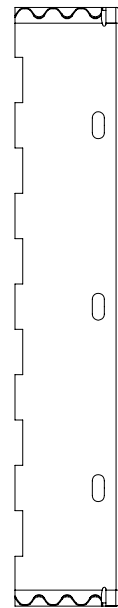
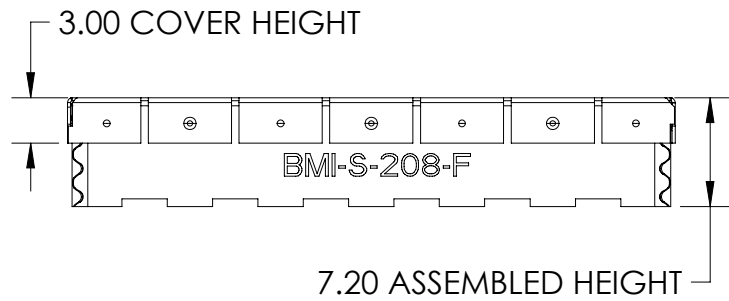


FUNCTION	PART NUMBER	MATERIAL/FINISH	PACKAGING			
FRAME	BMI-S-208-F	.20MM 1008/1010 PRE-PLATED COLD ROLLED STEEL 1/2 HARD 1.25-5.00 MICRONS 100% MATTE TIN	TAPE AND REEL			
			REEL DIAMETER	TAPE WIDTH	PITCH	QUANTITY
COVER	BMI-S-208-C	.20MM 1008/1010 PRE-PLATED COLD ROLLED STEEL 1/2 HARD 1.25-5.00 MICRONS 100% MATTE TIN	381MM	56MM	48MM	150
			BULK PACK			



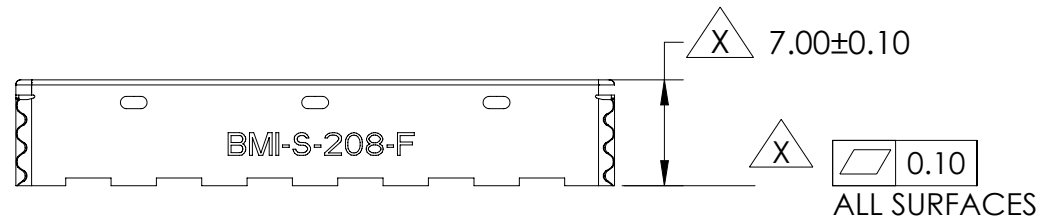
NOTES:

- OTHER MATERIAL OPTIONS MAY BE AVAILABLE, CONSULT SALES
- OTHER PACKAGING OPTIONS MAY BE AVAILABLE, CONSULT SALES



PART MARKING ON SIDES IS NOT INTENDED TO BE RELEVANT TO PART ORIENTATION IN CARRIER TAPE.

CRITICAL DIMENSIONS ARE DESIGNATED BY X



US PATENT 7488902

		PART DESCRIPTION: BOARD LEVEL SHIELD		LAIRD PART NUMBER: <b>BMI-S-208-SALES</b>	
		CUSTOMER: LAIRD CATALOG			
3RD ANGLE PROJECTION	DESIGNED IN SOLIDWORKS	PROGRAM NAME: STANDARDS	MODEL BY: AT	DATE: 07/15/20	REV: SALES
SCALE: 2:1	SHEET 1 OF 1	CUSTOMER PART NUMBER: N/A	APPROVED BY: X	DATE: XX/XX/XXXX	
<p>INFORMATION CONTAINED IN THIS DOCUMENT IS CONFIDENTIAL AND PROPRIETARY TO LAIRD TECHNOLOGIES. IT MAY NOT BE DISCLOSED TO ANYONE WITHOUT WRITTEN AUTHORIZATION FROM LAIRD TECHNOLOGIES</p>					