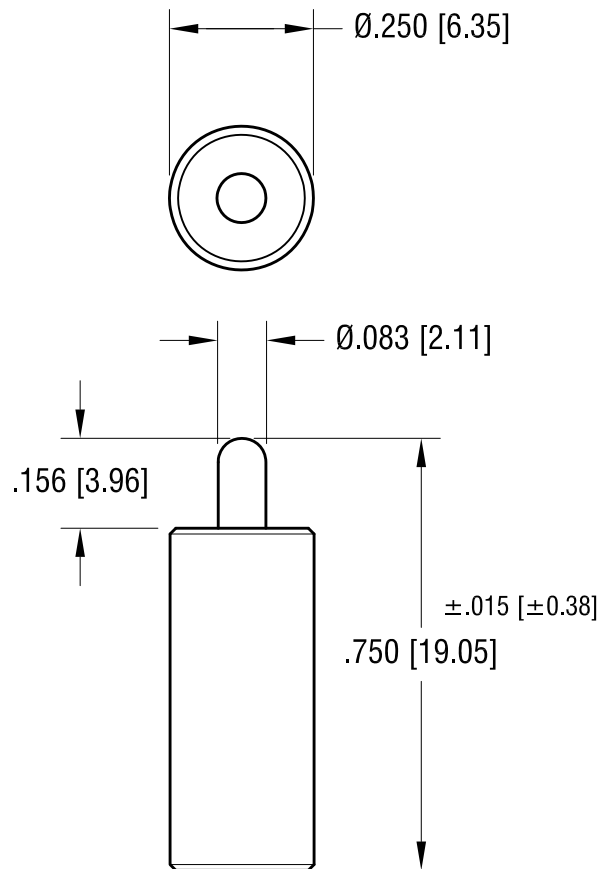
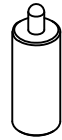


THIS DOCUMENT IS THE PROPERTY OF  
KEYSTONE ELECTRONICS CORP. AND  
SHALL NOT BE REPRODUCED, DISTRIBUTED  
OR USED AS A BASIS FOR MANUFACTURE  
WITHOUT PRIOR WRITTEN PERMISSION  
FROM KEYSTONE ELECTRONICS CORP.

ACTUAL SIZE



**KEYSTONE ELECTRONICS CORP.**

www.keyelco.com • NEW HYDE PARK NY 11040 • Tel (516)328-7500

PART NAME		ANVIL	
MATERIAL		C.R.S.	
FINISH		DRN BY	DATE
ZINC PLATE		BOONE	5.18.82
TOLERANCES		APP'D	SCALE
INCH [MM]		RH	3X
DECIMAL $\pm .005$ [ $\pm 0.13$ ]		CODE	DWG NO.
ANGULAR $\pm 1^\circ$		C	1309
UNLESS OTHERWISE SPECIFIED			

DATE	DESCRIPTION	REV.
------	-------------	------