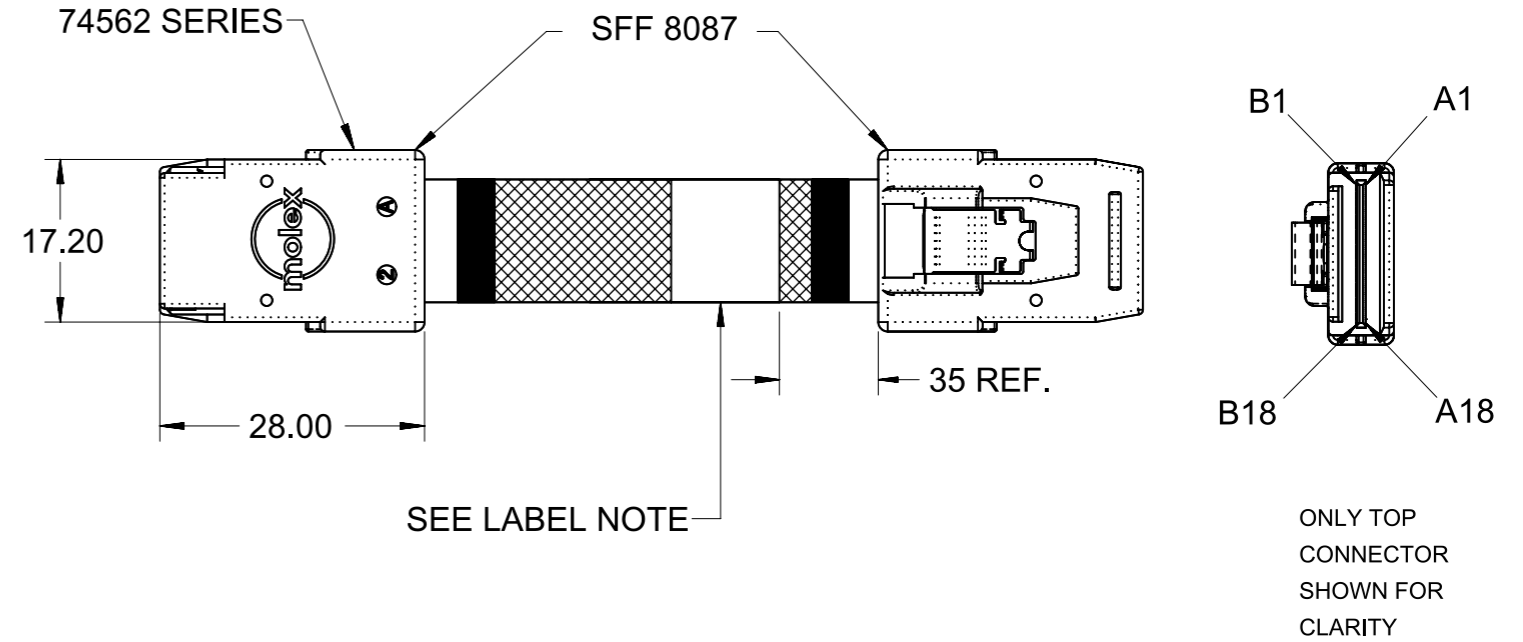
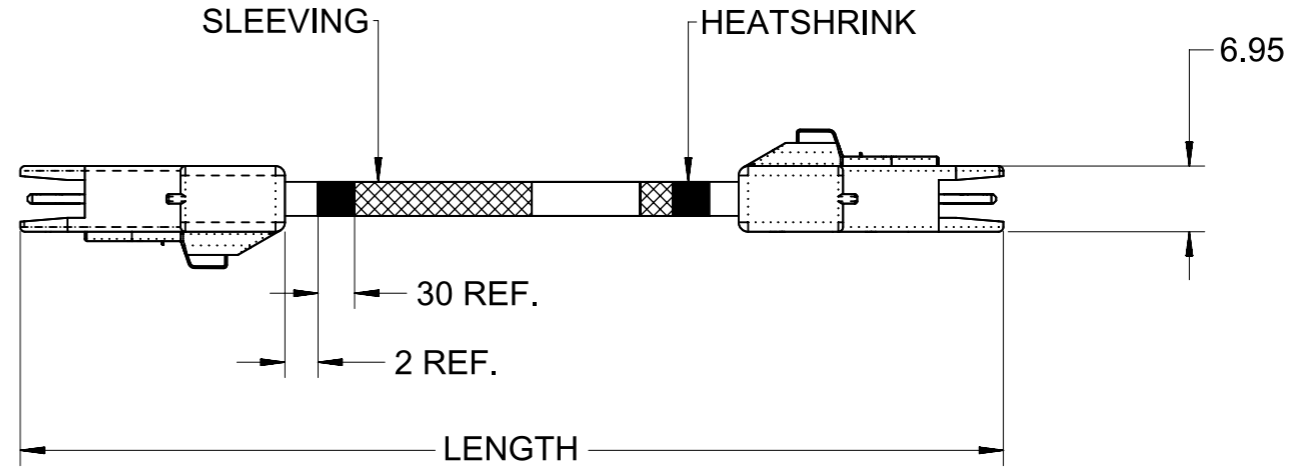


MOLEX P/N	SIDEBANDS	APPLICATION	SLEEVING	AWG	LENGTH(M)	TOL (+/-)	PIN OUT
795762102	YES	CTRL TO BP	YES	30	0.5	0.015	PIN OUT 1
795762103	YES	CTRL TO BP	YES	30	0.6	0.015	PIN OUT 1
795762107	YES	CTRL TO BP	YES	30	0.225	0.015	PIN OUT 1
795762137	NO	N/A	YES	28	0.6	0.015	PIN OUT 3
795762138	NO	N/A	YES	26	0.9	0.015	PIN OUT 3



NOTES:

1. MATERIAL:

OVER MOLD - POLYBUTYLENE TEREPHTHALATE (PBT), 94-V0,  
GLASS FILLED 30%.

LATCH - STAINLESS STEEL ALLOY.

CABLE -

SIGNALS PVC INSULATION

SOLID COPPER SIGNAL AND DRAIN.

INNER DIELECTRIC IS POLYOLEFIN

TWIN-AX SHIELD IS ALUMINIZED POLYESTER FOIL.

JACKET - PVC RED

PCB - FR4

2. PRODUCT TO PERFORM PER

PRODUCT SPECIFICATION: PS-75783-001.

3. PRODUCT MATES TO 75783 (RIGHT ANGLE) AND

75784 (VERTICAL) SERIES.

4. THIS PRODUCT CONFORMS TO THE MECHANICAL

DIMENSIONING AND ELECTRICAL PERFORMANCE

REQUIREMENTS OF SFF-8087.

5. MINIMUM RECOMMENDED BEND RADIUS 28 MM.

6. THIS PRODUCT MEETS THE RESTRICTION OF HAZARDOUS SUBSTANCES

IN ELECTRICAL AND ELECTRONIC EQUIPMENT (RoHS) DIRECTIVE

(2002/95/EC)

7. LABEL INFO.

MOLEX

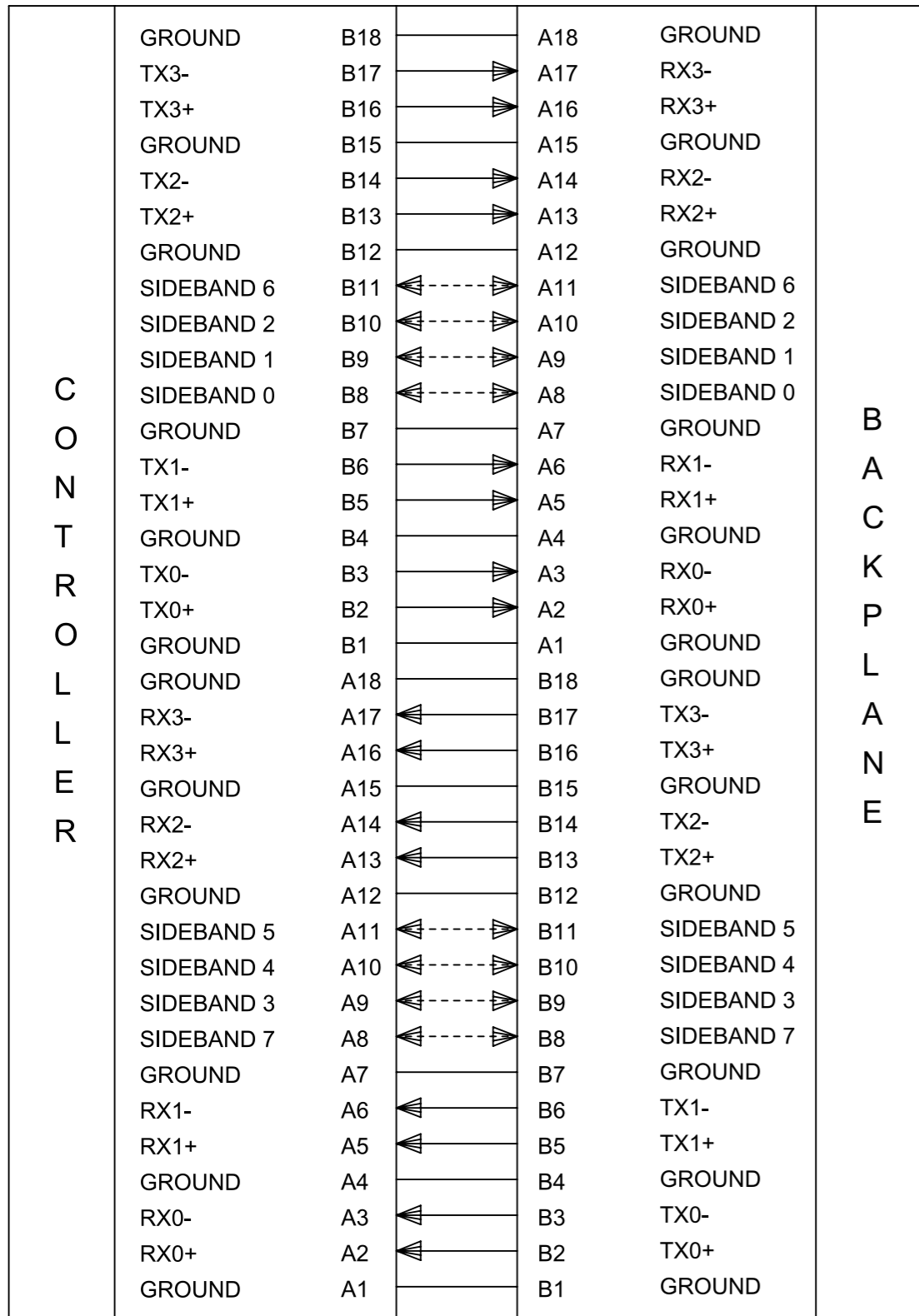
<<PART NUMBER>>

MADE IN XXXX (XXXX: MANUFACTURING LOCATION: US/ CHINA/ PHILIPPINES)

WW/YY

IPASS™ IS A TRADEMARK OF MOLEX.

THIS DRAWING CONTAINS INFORMATION THAT IS PROPRIETARY TO MOLEX ELECTRONIC TECHNOLOGIES, LLC AND SHOULD NOT BE USED WITHOUT WRITTEN PERMISSION														
DIMENSION UNITS		SCALE		CURRENT REV DESC: ADDED BACK ACTIVE PART NUMBER 795762137, 795762138 & REMOVED OBSOLETE P/N						<b>molex</b>				
mm/IN		NTS												
GENERAL TOLERANCES (UNLESS SPECIFIED)				STATUS: Production DRWN: Vishal Ramesh Hosur 2024-03-06 CHK'D: Ganesh Rao B 2024-03-07 APPR: Gurunandan GA 2024-03-07 INITIAL REVISION: DRWN: JERWIN 2006/04/25 APPR: DDOYE 2006/04/25						DOCUMENT NUMBER		DOC TYPE	DOC PART	REVISION
		MM	INCH							SD-79576-200		PSD	001	P2
4 PLACES	±													
3 PLACES	±		± 0.0100											
2 PLACES	±	0.250												
1 PLACE	±													
0 PLACES	±													
ANGULAR TOL ± 1°				DRAFT WHERE APPLICABLE MUST REMAIN WITHIN DIMENSIONS		THIRD ANGLE PROJECTION		DRAWING	SERIES	MATERIAL NUMBER	CUSTOMER	SHEET NUMBER		
						A3-SIZE		79576	SEE TABLE	GENERAL MARKET	1 OF 4			



P I N O U T 1

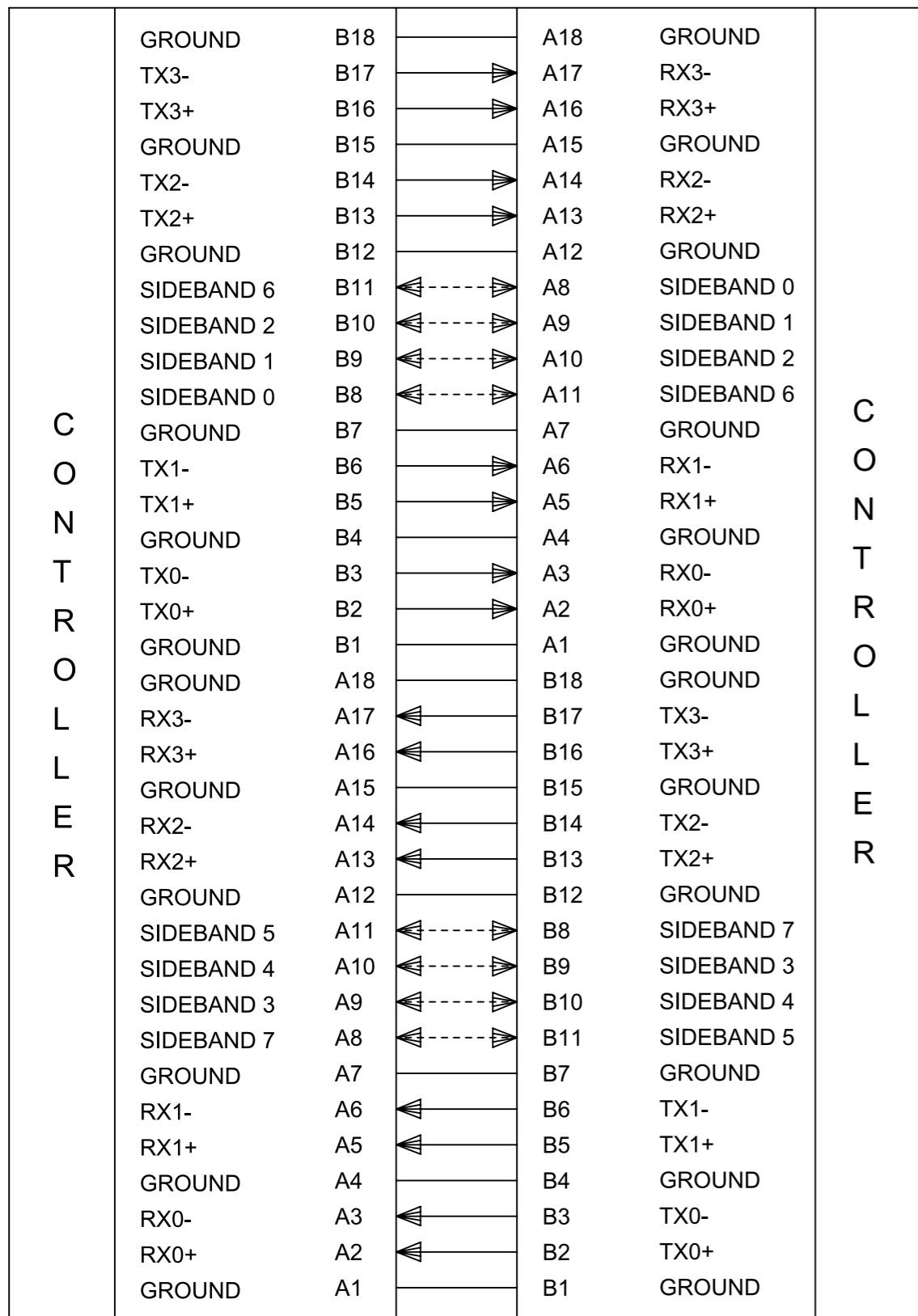
B A C K P L A N E

**NOTE:**

1. PINOUT CONFORMS TO SAS 1.1 9.0D SECTION 5.2.4.1.2.3
2. ALL SIGNAL GROUNDS ARE BUSSED IN PCB.

**IPASS™ IS A TRADEMARK OF MOLEX**

THIS DRAWING CONTAINS INFORMATION THAT IS PROPRIETARY TO MOLEX ELECTRONIC TECHNOLOGIES, LLC AND SHOULD NOT BE USED WITHOUT WRITTEN PERMISSION									
DIMENSION UNITS mm/IN		SCALE NTS		CURRENT REV DESC: ADDED BACK ACTIVE PART NUMBER 795762137, 795762138 & REMOVED OBSOLETE P/N					
GENERAL TOLERANCES (UNLESS SPECIFIED)				STATUS: Production					
				DRWN: Vishal Ramesh Hosur 2024-03-06				IPASS (MINI-SAS)	
4 PLACES ±				CHK'D: Ganesh Rao B 2024-03-07				INTERNAL CABLE 36 CKT 4X W/ SIDEBANDS	
3 PLACES ±		± 0.0100		APPR: Gurunandan GA 2024-03-07				PRODUCT SALES DRAWING	
2 PLACES ±		0.250 ±		INITIAL REVISION:				DOCUMENT NUMBER	
1 PLACE ±				DRWN: JERWIN 2006/04/25				SD-79576-200	
0 PLACES ±				APPR: DDOYE 2006/04/25				PSD 001 P2	
ANGULAR TOL ± 1°				THIRD ANGLE PROJECTION		DRAWING		SHEET NUMBER	
DRAFT WHERE APPLICABLE MUST REMAIN WITHIN DIMENSIONS				A3-SIZE		SERIES 79576		MATERIAL NUMBER	
						SEE TABLE		CUSTOMER GENERAL MARKET	

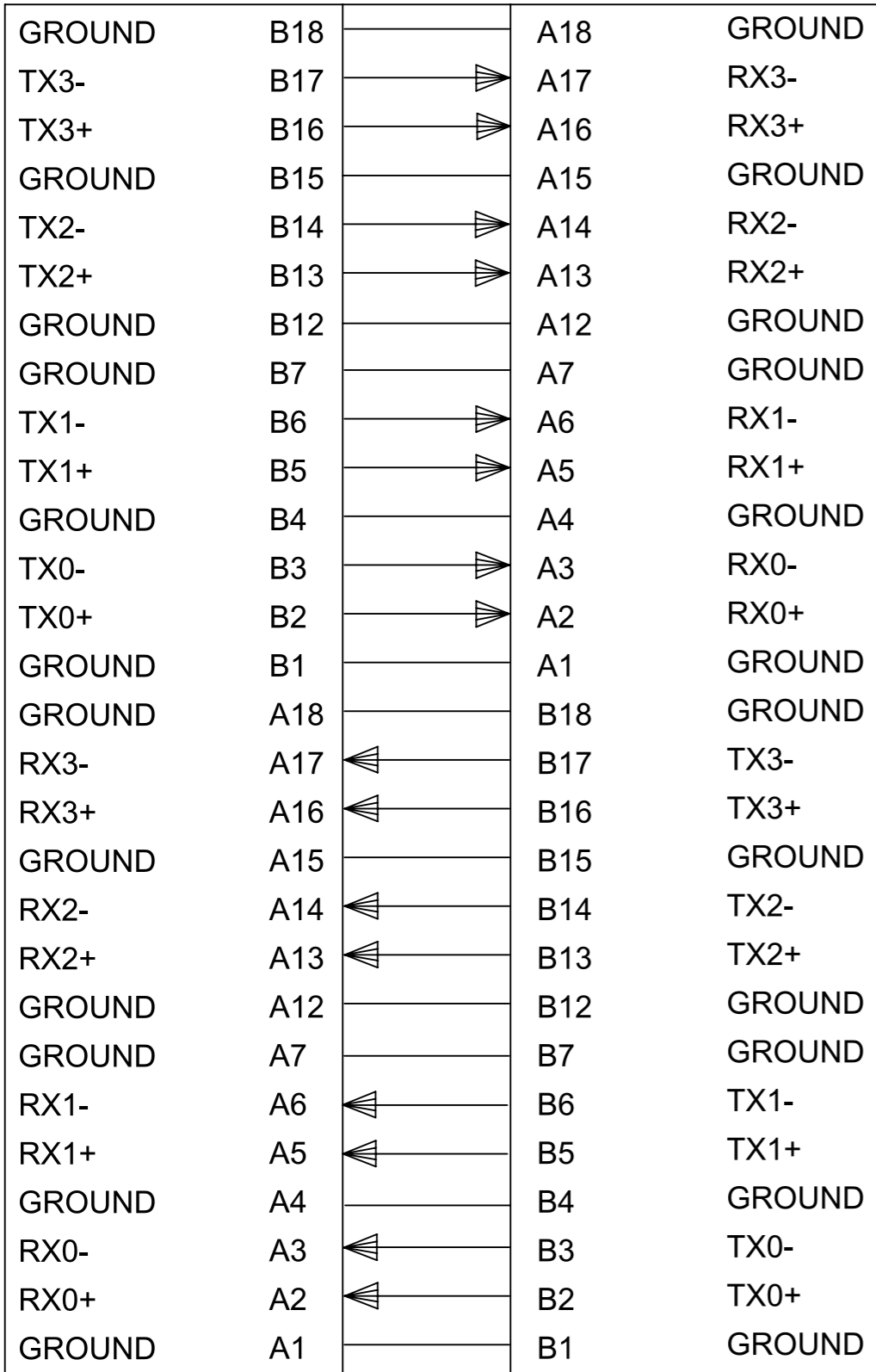


**NOTE**  
 1. FOR CONTROLLER TO CONTROLLER.  
 2. ALL SIGNAL GROUNDS ARE BUSSED IN PCB.

P  
I  
N  
O  
U  
T  
2

IPASS™ IS A TRADEMARK OF MOLEX

THIS DRAWING CONTAINS INFORMATION THAT IS PROPRIETARY TO MOLEX ELECTRONIC TECHNOLOGIES, LLC AND SHOULD NOT BE USED WITHOUT WRITTEN PERMISSION									
DIMENSION UNITS mm/IN		SCALE NTS		CURRENT REV DESC: ADDED BACK ACTIVE PART NUMBER 795762137, 795762138 & REMOVED OBSOLETE P/N					
GENERAL TOLERANCES (UNLESS SPECIFIED)				STATUS: Production					
				DRWN: Vishal Ramesh Hosur 2024-03-06				IPASS (MINI-SAS)	
				CHK'D: Ganesh Rao B 2024-03-07				INTERNAL CABLE 36 CKT 4X W/ SIDEBANDS	
				APPR: Gurunandan GA 2024-03-07				PRODUCT SALES DRAWING	
				INITIAL REVISION:				DOCUMENT NUMBER	
				DRWN: JERWIN 2006/04/25				SD-79576-200	
				APPR: DDOYE 2006/04/25				PSD 001 P2	
DRAFT WHERE APPLICABLE MUST REMAIN WITHIN DIMENSIONS		THIRD ANGLE PROJECTION		DRAWING		SERIES		SHEET NUMBER	
				A3-SIZE		79576		3 OF 4	



P  
I  
N  
O  
U  
T  
3

**NOTE**

1. FOR NO SIDE BANDS
2. ALL SIGNAL GROUNDS ARE BUSSED IN PCB.

**IPASS™ IS A TRADEMARK OF MOLEX**

THIS DRAWING CONTAINS INFORMATION THAT IS PROPRIETARY TO MOLEX ELECTRONIC TECHNOLOGIES, LLC AND SHOULD NOT BE USED WITHOUT WRITTEN PERMISSION									
DIMENSION UNITS <b>mm/IN</b>		SCALE <b>NTS</b>		CURRENT REV DESC: ADDED BACK ACTIVE PART NUMBER 795762137, 795762138 & REMOVED OBSOLETE P/N				<b>molex</b>	
GENERAL TOLERANCES (UNLESS SPECIFIED)				STATUS: Production					
		MM		INCH		DRWN: Vishal Ramesh Hosur 2024-03-06		IPASS (MINI-SAS) INTERNAL CABLE 36 CKT 4X W/ SIDEBANDS	
4 PLACES ±		±		± 0.0100		CHK'D: Ganesh Rao B 2024-03-07			
3 PLACES ±		± 0.250		±		APPR: Gurunandan GA 2024-03-07		PRODUCT SALES DRAWING	
2 PLACES ±		±		±		INITIAL REVISION:			
1 PLACE ±		±		±		DRWN: JERWIN 2006/04/25		DOCUMENT NUMBER <b>SD-79576-200</b>	
0 PLACES ±		±		±		APPR: DDOYE 2006/04/25			
ANGULAR TOL ± 1°		± 1°		± 1°		MATERIAL NUMBER SEE TABLE		DOC TYPE <b>PSD</b>	
DRAFT WHERE APPLICABLE MUST REMAIN WITHIN DIMENSIONS		THIRD ANGLE PROJECTION		DRAWING <b>A3-SIZE</b>		SERIES <b>79576</b>			
						CUSTOMER GENERAL MARKET		REVISION <b>P2</b>	
						SHEET NUMBER 4 OF 4			