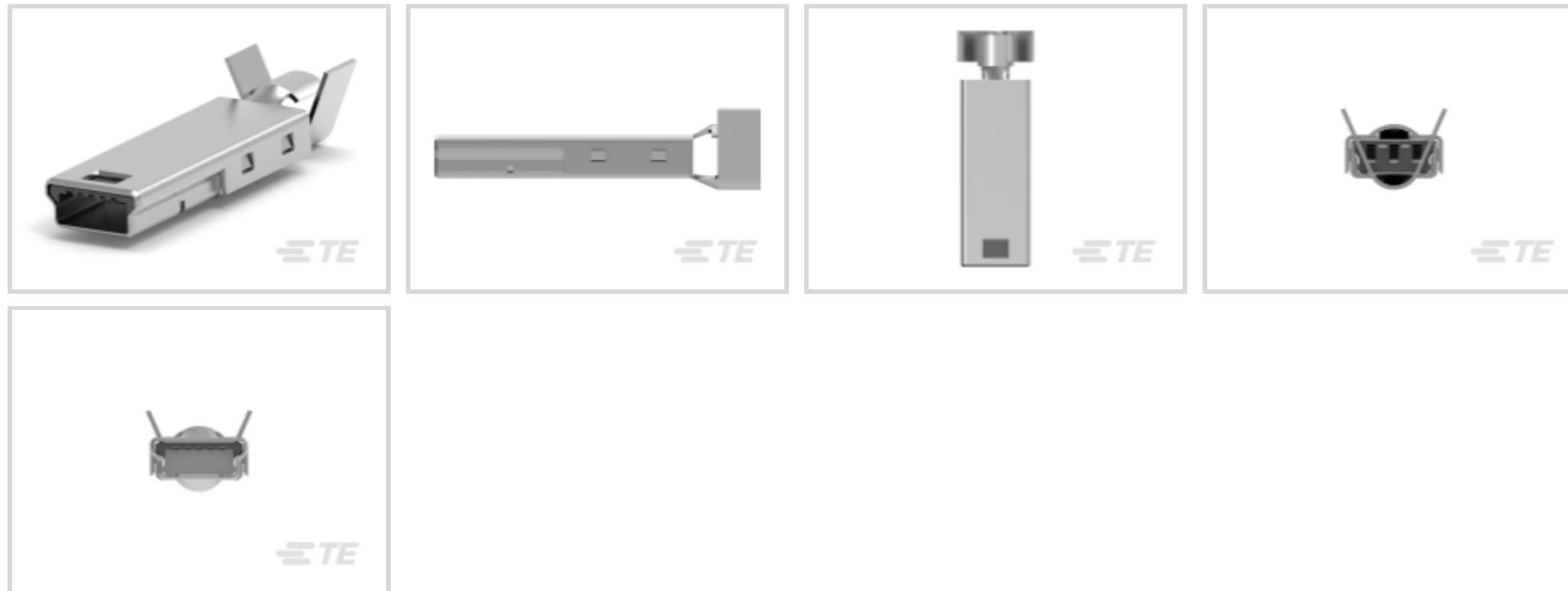




Connectors > Audio & Video Connectors > USB Connectors



USB Adapter Type: **B**

USB Version: **2.0**

Connector Profile: **Mini**

Connector & Housing Type: **Plug**

Number of Ports: **1**

Features

Product Type Features

Integral Locking Latch	Without
USB Adapter Type	B
USB Version	2.0
Connector & Housing Type	Plug
Connector System	Cable-to-Board
Connector & Contact Terminates To	Wire & Cable
USB Connector Type	Mini USB 2.0 Type-B

Configuration Features

Number of Ports	1
Number of Positions	5

Body Features

Offset	0 mm
Shell Plating Material	Nickel over Copper
Connector Profile	Mini

Contact Features



Contact Mating Area Plating Material Thickness	.76 µm[29.92 µin]
Contact Mating Area Plating Material	Gold Flash over Palladium Nickel
Contact Current Rating (Max)	1 A

Mechanical Attachment

Locking Feature	Without
PCB Mount Location	Cable Mount
PCB Connector Seating	Flush
PCB Mount Retention Type	None
Connector Mounting Type	Cable Mount (Free-Hanging)

Housing Features

Housing Material	PBT
Housing Color	Black
Centerline (Pitch)	.8 mm[.031 in]

Usage Conditions

Mating Cycles (Max)	5000
Operating Temperature Range	-40 – 85 °C[-40 – 185 °F]

Operation/Application

Halogen Free	No
Circuit Application	Power & Signal

Industry Standards

Moisture Sensitivity Level	1
Industry Standard	USB 2.0
UL Flammability Rating	UL 94V-0

Packaging Features

Packaging Quantity	1000
Packaging Method	Bag

Product Compliance

For compliance documentation, visit the product page on [TE.com](https://www.te.com)>

EU RoHS Directive 2011/65/EU	Compliant
EU ELV Directive 2000/53/EC	Compliant
China RoHS 2 Directive MIIT Order No 32, 2016	No Restricted Materials Above Threshold



EU REACH Regulation (EC) No. 1907/2006

Current ECHA Candidate List: JUNE 2024 (241)

Candidate List Declared Against: JUNE 2024 (241)

Does not contain REACH SVHC

Halogen Content

Not Low Halogen - contains Br or Cl > 900 ppm.

Solder Process Capability

Not applicable for solder process capability

Product Compliance Disclaimer

This information is provided based on reasonable inquiry of our suppliers and represents our current actual knowledge based on the information they provided. This information is subject to change. The part numbers that TE has identified as EU RoHS compliant have a maximum concentration of 0.1% by weight in homogenous materials for lead, hexavalent chromium, mercury, PBB, PBDE, DBP, BBP, DEHP, DIBP, and 0.01% for cadmium, or qualify for an exemption to these limits as defined in the Annexes of Directive 2011/65/EU (RoHS2). Finished electrical and electronic equipment products will be CE marked as required by Directive 2011/65/EU. Components may not be CE marked. Additionally, the part numbers that TE has identified as EU ELV compliant have a maximum concentration of 0.1% by weight in homogenous materials for lead, hexavalent chromium, and mercury, and 0.01% for cadmium, or qualify for an exemption to these limits as defined in the Annexes of Directive 2000/53/EC (ELV). Regarding the REACH Regulation, the information TE provides on SVHC in articles for this part number is based on the latest European Chemicals Agency (ECHA) 'Guidance on requirements for substances in articles' posted at this URL: <https://echa.europa.eu/guidance-documents/guidance-on-reach>

Compatible Parts



TE Part # 1734035-2
MINI USB, TYPE B, R/A, SMT



TE Part # 1734328-2
Mini USB AB R/A,Rcpt,SMT,T&R



TE Part # 1734753-1
MINI USB, TYPE B, VERTICAL, T/H



TE Part # 1734035-4
MINI USB, TYPE B, R/A, SMT, MYLAR



TE Part # 1-1734035-1
MINI USB, TYPE B, R/A, SMT



TE Part # 1-1734035-2
MINI USB, TYPE B, R/A, SMT



TE Part # 1-1734328-2
Mini USB AB R/A,Rcpt,SMT,T&R, 0.6 mm



TE Part # 1734035-1
MINI USB, TYPE B, R/A, SMT



TE Part # 1734035-3
MINI USB, TYPE B, R/A, SMT



TE Part # 1775051-1
MINI USB, TYPE A/B, R/A, SMT, MYLAR



TE Part # 1-1734328-1
Mini USB AB R/A,Rcpt,SMT,TRAY, 0.6 mm



TE Part # 1734328-1
Mini USB AB R/A,Rcpt,SMT,TRAY



TE Part # 1734510-2
MINI USB, TYPE B, R/A, T/H



TE Part # 2-1734035-2
MINI USB, TYPE B, R/A, SMT



TE Part # 2041492-1
MINI USB, TYPE B, R/A, SMT, MYLAR



TE Part # 2041517-1
MINI USB, RCPT,V/T,DIP, B TYPE,30u" Au



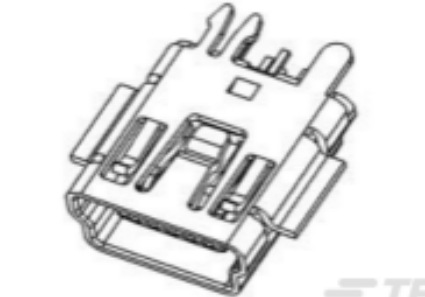
TE Part # 1-1734035-3
MINI USB, TYPE B, R/A, SMT



TE Part # 1-1734510-1
MINI USB, TYPE B, R/A, T/H



TE Part # 1734035-5
MINI USB, TYPE B, R/A, SMT,MYLAR, NATURAL



TE Part # 1775060-1
MINI USB, TYPE B, VERTICAL, T/H

Customers Also Bought



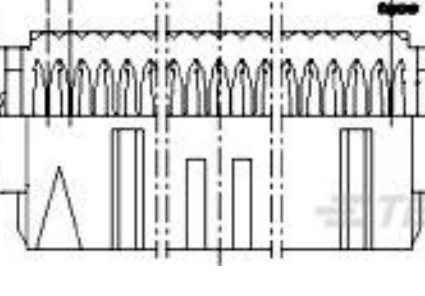
TE Part #1-747943-6
KIT,RCPT,9P,HDE,SHLD ENCLSRE




TE Part #5-1879075-0
THS25 2K2 5%



TE Part #1879213-6
CPF 0402 29R4 0.1% 25PPM 1K RL



TE Part #5-215915-0
AMP-LATCH 15.2 HIGH TAPE




TE Part #6-440129-3
HPI 2.0MM,HSG,3POS,BLACK



TE Part #NB-PTCO-172
Pt100, 2.0x4.0, Class B, PTFE101B1G0



TE Part #1007079-1
CONTACT MICROPHONE CM-01



TE Part #8044434002
MT2000-2.0-0-SP



TE Part #CF2752-000
CGPE-105-1/16-6-0.375IN



TE Part #1616035-1
D56B=RELAY

Documents

CAD Files

Customer View Model

[ENG_CVM_CVM_1734205-1_B.2d_dxf.zip](#)

English

3D PDF

3D

Customer View Model

[ENG_CVM_CVM_1734205-1_B.3d_igs.zip](#)

English

Customer View Model

[ENG_CVM_CVM_1734205-1_B.3d_stp.zip](#)

English

By downloading the CAD file I accept and agree to the [Terms and Conditions](#) of use.

Datasheets & Catalog Pages

Products for Mobile Equipment

English

USB Quick Reference Guide (English)

English

Product Specifications

Product Specification

English