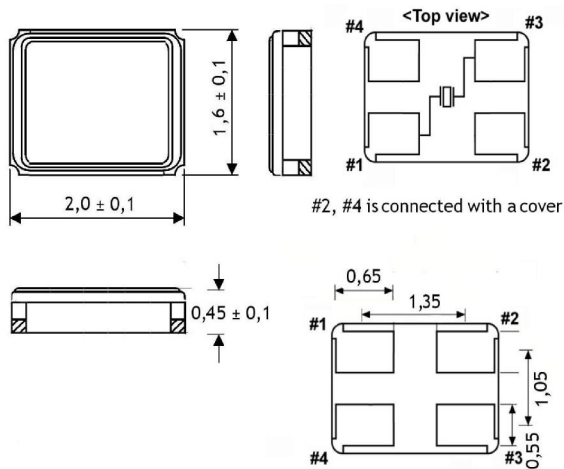


Quartz Crystal

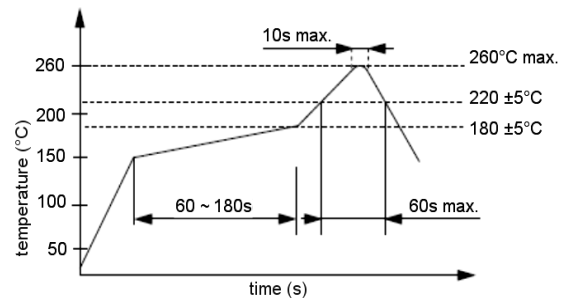
SMD-version

part no.	12.85558
model	KX – 5T
frequency	32,0 MHz
mode	fundamental
operating temperature	-40° ~ +85°C
frequency tolerance at +25°C	±10 ppm
temperature tolerance -40° ~ +85°C	±15 ppm
load capacitance C_L	8 pF
series resistance R1 max.	60 Ohm
aging at +25°C (first year) max.	±2 ppm
shunt capacitance C_O max.	5.0 pF
drive level max.	50 μ W
contents of reel	3000 pcs.

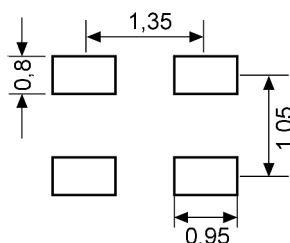
Dimensions (mm):



Reflow soldering condition:



Suggested soldering pad:



Tape specification:

