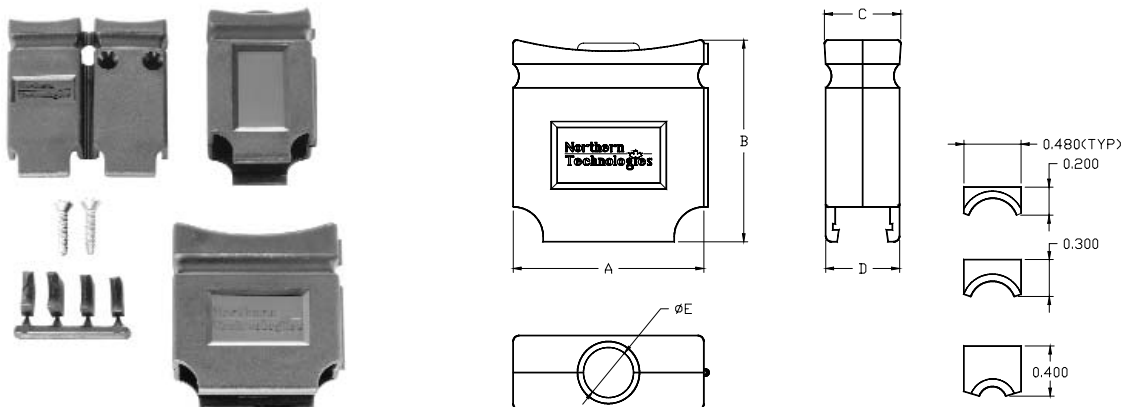


ONE-PIECE PLASTIC



ONE-PIECE PLASTIC - CP SERIES - DIMENSIONS								
Size	PART NUMBERS			INCHES [MM]				
	NorTech Logo	No Logo		A	B	C	D	E
9 Position	PKG	C88001000	C88000000	0.770	1.800	0.620	0.620	0.325
	BULK	A30001000	A30000000	[19.56]	[45.72]	[15.75]	[15.75]	[08.26]
15 Position	PKG	C88000263	C88000216	1.065	1.700	0.700	0.620	0.420
	BULK	A29922152	A29922159	[27.05]	[43.18]	[17.78]	[15.75]	[10.67]
25 Position	PKG	C88000273	C88000274	1.600	1.700	0.700	0.600	0.420
	BULK	A29922252	A29922253	[40.64]	[43.18]	[17.78]	[15.24]	[10.67]

FEATURES:

- One-piece fold-over backshell accommodates standard D-Sub connectors from most manufacturers.
- Available in 9, 15 and 25 positions.
- Easy to Assemble.
- Custom Logo and colors available - Subject to a minimum quantity.
- Cable Diameter Ranges: 9 Position - 0.100 in. to 0.350 in.. (2.54 - 8.89mm)
15/25 Positions - 0.125 in. to 0.450 in.. (3.18 - 11.43mm)

SPECIFICATIONS:

Cover Material: Black Polypropylene
 Insert Material: Black Polypropylene.
 Hardware: Steel with Bright Zinc Finish.