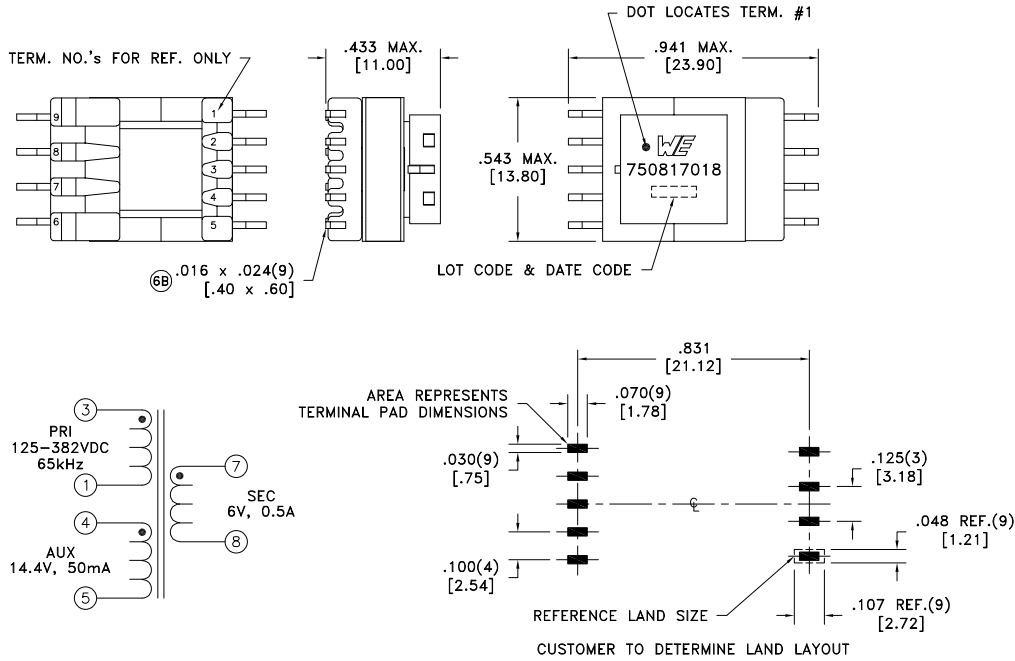


CUSTOMER TERMINAL	RoHS	LEAD(Pb)-FREE
Sn96%, Ag4%	Yes	Yes



ELECTRICAL SPECIFICATIONS @ 25°C unless otherwise noted:

PARAMETER	TEST CONDITIONS	VALUE
D.C. RESISTANCE	3-1 @20°C	3.790 ohms ±10%
D.C. RESISTANCE	4-5 @20°C	0.479 ohms ±10%
D.C. RESISTANCE	7-8 @20°C	0.038 ohms ±20%
INDUCTANCE	3-1 10kHz, 100mVAC, Ls	2.19mH ±10%
SATURATION CURRENT	3-1 20% rolloff from initial	250mA
LEAKAGE INDUCTANCE	3-1 tie(4+5, 7+8), 100kHz, 100mVAC, Ls	43uH typ., 56uH max.
DIELECTRIC	1-8 3750VAC, 1 second	-
DIELECTRIC	1-5 625VAC, 1 second	-
URNS RATIO	(3-1):(7-8)	12.6:1, ±1%
URNS RATIO	(3-1):(4-5)	5.25:1, ±1%

GENERAL SPECIFICATIONS:

OPERATING TEMPERATURE RANGE: -40°C to +125°C including temp rise.

Designed to comply with the following requirements as defined by IEC60950-1, EN60950-1, UL60950-1/CSA60950-1 and AS/NZS60950.1:

- Reinforced insulation for a primary circuit at a working voltage of 265Vrms, 400Vpeak, Overvoltage Category II.

Wire insulation & RoHS status not affected by wire color.
Wire insulation color may vary depending on availability.

DETAILS SUBJECT TO CHANGE

REV.	DATE	Packaging Specifications Method: Tape & Reel PKG-1043 www.we-online.com/midcom		Tolerances unless otherwise specified: Angles: ±1° Fractions: ±1/64 Decimals: ±.005 [.13] Footprint: ±.005 [.13]	DRAWING TITLE TRANSFORMER	PART NO. 750817018
6B	11/22			This drawing is dual dimensioned. Dimensions in brackets are in millimeters.	eiSos p/n: 750817018	SPECIFICATION SHEET 1 OF 1
6A	4/16	SEE REVISION SHEET FOR REVISION LEVEL				

