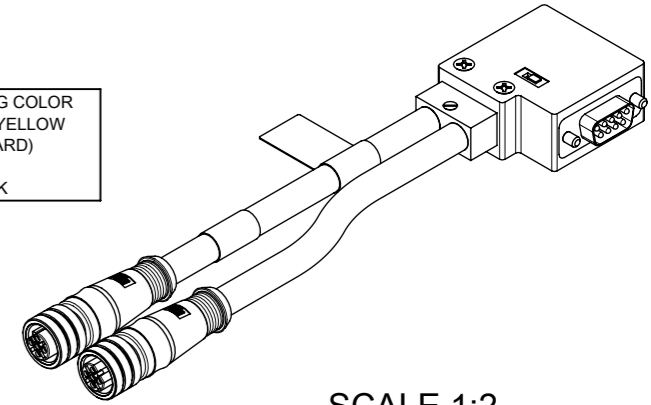
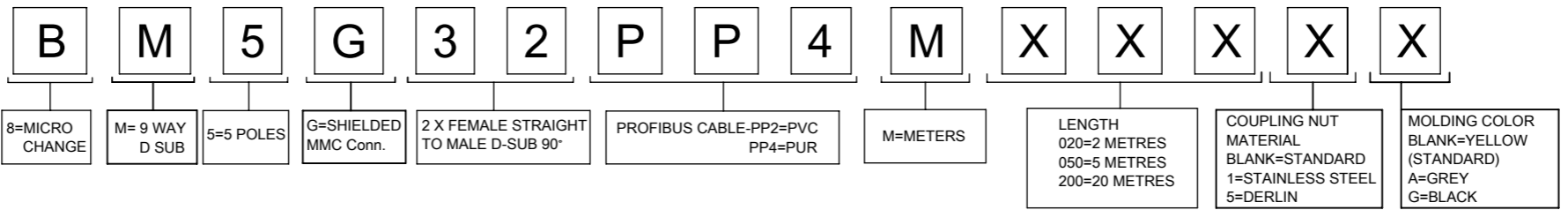


MOLEX P/N	WOODHEAD P/N	L (mm)+Tol.
1200390211	BM5G32PP4M003	300+19
1200980043	BM5G32PP4M005	500+45
1200980192	BM5G32PP4M010	1000+56
1200980193	BM5G32PP4M050	5000+165

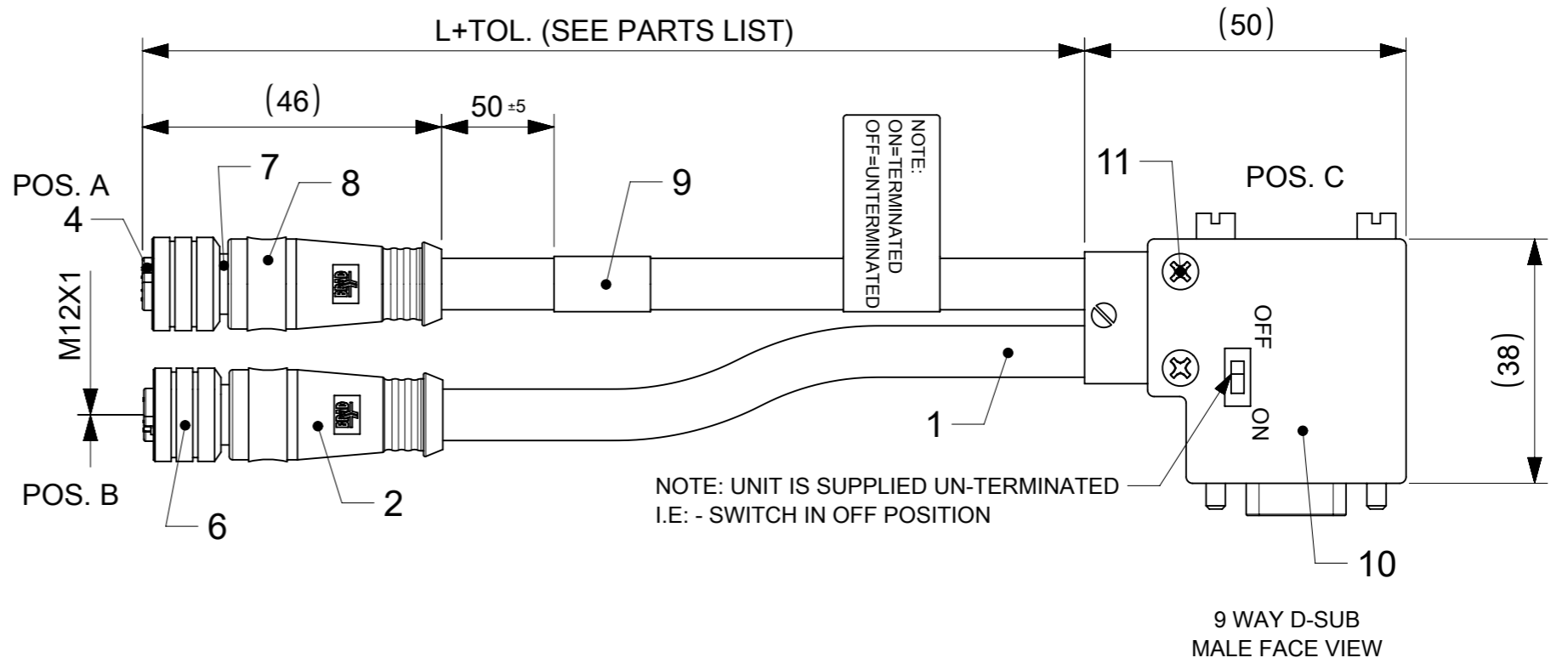
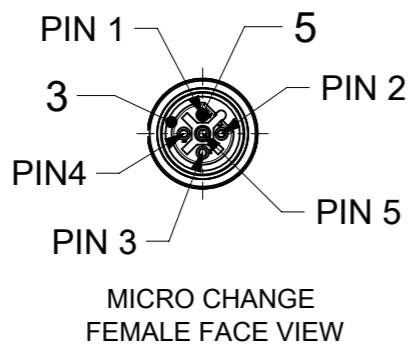
PART No MATRIX



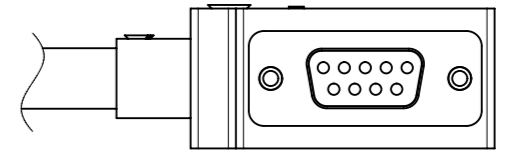
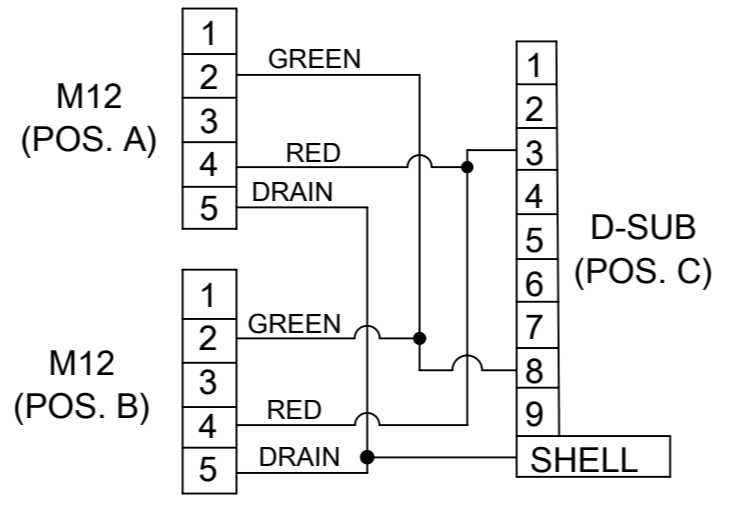
SCALE 1:2

ELECTRICAL DATA:

VOLTAGE RATING:	250 VAC/VDC
AMPERAGE RATING:	4 AMPS
PROTECTION FOR M12 CONNECTOR :	IP67
PROTECTION FOR D-SUB:	IP40
OPERATING TEMPERATURE M12 HEAD	-20°C TO 80°C
OPERATING TEMPERATURE D-SUB	0°C TO 60°C
INSULATION RESISTANCE:	10 ⁸ Ω MIN.
MATING CYCLES:	MIN. 100



WIRING DIAGRAM



BOM

ITEM	QTY	DESCRIPTION	MATERIAL	FINISH
11	1	M2 X 12LG SCREW	SS	
10	1	DSUB 9P ATTCH V/H	-	-
9	2	LABEL	VINYL	BLACK/YELLOW
8	1	HEAT-SHRINK	-	-
7	1	M12 FEM STR SHLDSL	Cu ALLOY	NICKEL
6	1	NUT M12 BRA FE KNU NI	BRASS	NICKEL
5	5	FEMALE CONTACT	Cu ALLOY	GOLD OVER Ni
4	1	INSERT M12 FE 5P SHLD	PUR	BLACK
3	1	GASKET	FPM	RED
2	-	OVERMOLD	PUR	YELLOW
1	-	CABLE, PROFIBUS	PUR JACKET	VIOLET

FUNCTIONAL SYMBOLS	THIS DRAWING CONTAINS INFORMATION THAT IS PROPRIETARY TO MOLEX ELECTRONIC TECHNOLOGIES, LLC AND SHOULD NOT BE USED WITHOUT WRITTEN PERMISSION		CURRENT REV DESC:	
FA = 0	mm	SCALE 1:1		
FE = 0	GENERAL TOLERANCES (UNLESS SPECIFIED)			
EV = 0	ANGULAR TOL ± °			
	4 PLACES ±		EC NO: 749439	
	3 PLACES ±		DRWN: VHANDI 2023/04/11	
	2 PLACES ±		CHK'D: RSILLER 2023/05/15	
	1 PLACE ±		APPR: RSILLER 2023/05/15	
	0 PLACES ±		INITIAL REVISION:	
	DRAFT WHERE APPLICABLE MUST REMAIN WITHIN DIMENSIONS		DRWN: VHANDI 2023/04/11	
	THIRD ANGLE PROJECTION		APPR: RSILLER 2023/05/15	
	DRAWING A3-SIZE		SERIES 120039	
	MATERIAL NUMBER		CUSTOMER	
	SEE TABLE		GENERAL MARKET	
	DOCUMENT NUMBER		DOC TYPE DOC PART REVISION	
	1200390211		PSD 000 A	
	SHEET NUMBER		1 OF 1	

6

5

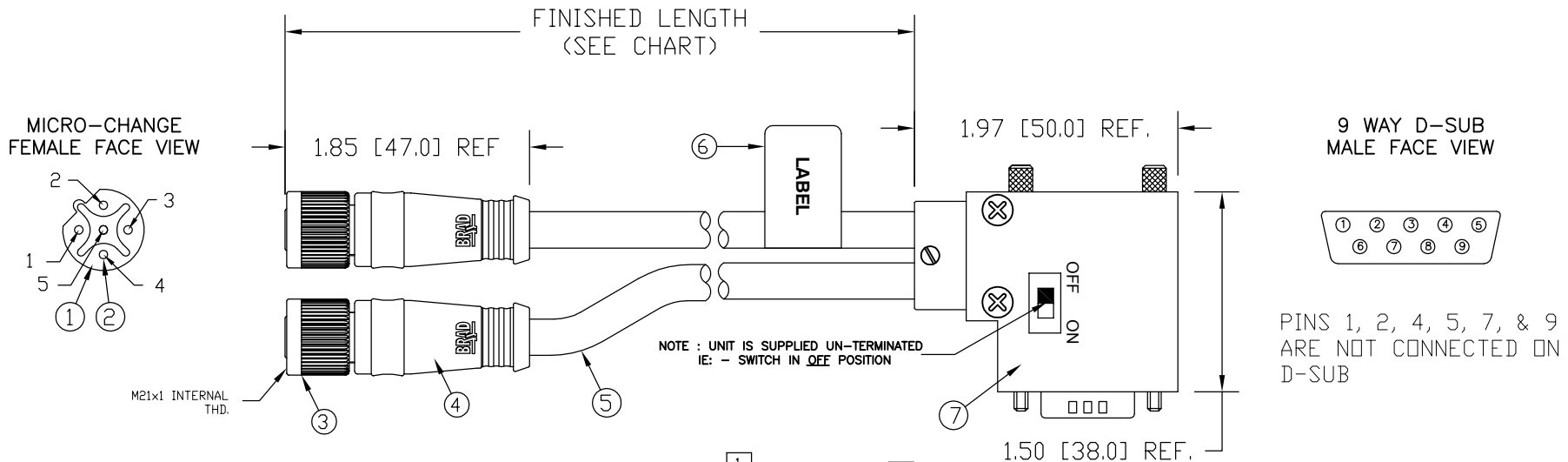
4

3

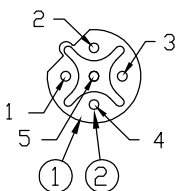
2

1

MATERIAL NUMBER	ENGINEERING NUMBER	FINISHED LENGTH
120098192	BM5G32PP4M010	1.0M +55.6mm -0 [3.28' +2.19" -0]
1200980193	BM5G32PP4M050	5.0M +165.1mm -0 [16.40' +6.50" -0]

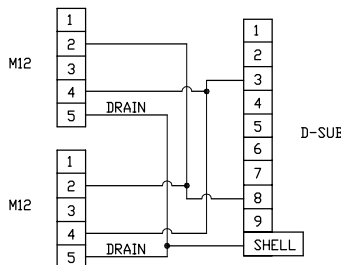


MICRO-CHANGE FEMALE FACE VIEW



M21x1 INTERNAL THD.

NOTE: UNIT IS SUPPLIED UN-TERMINATED IE: - SWITCH IN OFF POSITION



WIRING DIAGRAM

VOLTAGE RATING	250 VAC/VDC
AMPERAGE RATING	4 AMPS
PROTECTION FOR M12 CONNECTOR	IP67
PROTECTION FOR D-SUB	IP40
OPERATING TEMPERATURE - M12 HEAD	-20°C TO 80°C
OPERATING TEMPERATURE - D-SUB	0°C TO 60°C

ITEM	COMPONENT	MATERIAL	FINISH
1	M12 INSERT	NYLON	BLACK
2	CONTACT SOCKET	COPPER ALLOY	GOLD OVER NICKEL
3	COUPLING NUT	BRASS	NICKEL PLATED
4	OVERMOLD	PUR	YELLOW
5	CABLE- 22 AWG, COPPER STRANDING TWISTED PAIR, SHIELD WITH BRAID	PUR	PURPLE
6	LABEL	MLYAR	BLACK/YELLOW
7	D-SUB	ABS	BLACK

RELEASED DRAWING
 EC NO: WEL2010-0081
 DRWN: LHARTMAN 8/26/09
 CHKD: BWOODMAN 09/08/27
 APPR: JFMURPHY 2009/08/28

QUALITY SYMBOLS
 ▽=0
 ▽/ =0

	GENERAL TOLERANCES (UNLESS SPECIFIED)	
	mm	INCH
4 PLACES	±----	±----
3 PLACES	±----	±----
2 PLACES	±----	±.01
1 PLACE	±0.3	±----
ANGULAR ±----°		
DRAFT WHERE APPLICABLE MUST REMAIN WITHIN DIMENSIONS		

DIMENSION STYLE		SCALE	DESIGN UNITS	THIRD ANGLE PROJECTION
IN/MM	DATE	NTS	INCH	
DRAWN BY	DATE	TITLE		MOLEX INCORPORATED SD-120098-014
LHARTMAN	2009/08/26	CHECKED BY	DATE	
BWOODMAN	2009/08/27	APPROVED BY	DATE	SHEET NO.
JFMURPHY	2009/08/27	DOCUMENT NO.		1 OF 1
SIZE	THIS DRAWING CONTAINS INFORMATION THAT IS PROPRIETARY TO MOLEX INCORPORATED AND SHOULD NOT BE USED WITHOUT WRITTEN PERMISSION			
A				

6

5

4

3

2

1