



# 447-325 Composite Standard Profile EMI/RFI Banding Backshell with Shrink Boot Porch and Self-Locking Rotatable Coupling

**A**

CONNECTOR DESIGNATOR:	
<b>A</b>	MIL-DTL-5015, -26482 Series II, and -83723 Series I and III
<b>F</b>	MIL-DTL-38999 Series I, II
<b>L</b>	MIL-DTL-38999 Series 1.5 (JN1003)
<b>H</b>	MIL-DTL-38999 Series III and IV
<b>G</b>	MIL-DTL-28840
<b>U</b>	DG123 and DG123A
<b>SELF-LOCKING</b>	
<b>ROTATABLE COUPLING</b>	
<b>STANDARD PROFILE</b>	

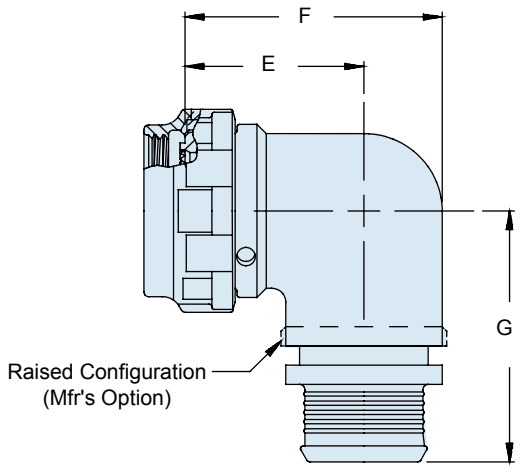
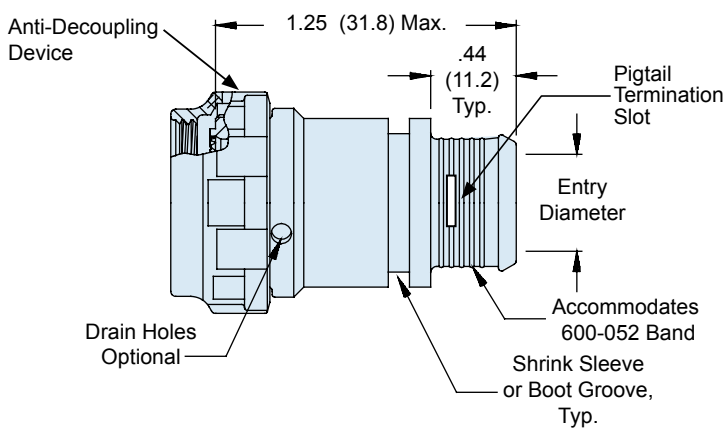
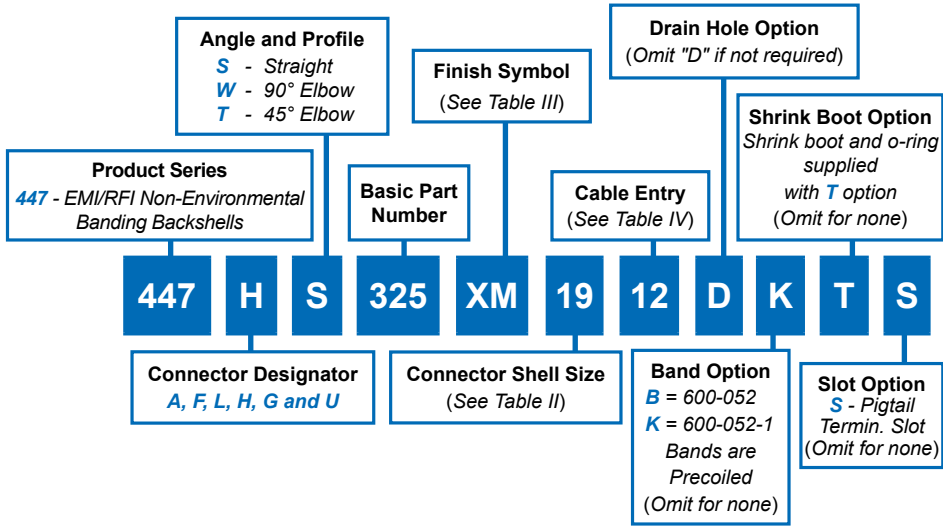


TABLE II: CONNECTOR SHELL SIZE (90°)												
Shell Size For Connector Designator*					E	F		G		Max Entry Dash No. (Table IV)**		
A	F/L	H	G	U		± .06	± .09	± .09	(2.3)			
08	08	09	-	-	.69 (17.5)	.88 (22.4)	1.19 (30.2)		04			
10	10	11	-	08	.75 (19.1)	1.00 (25.4)	1.25 (31.8)		06			
12	12	13	11	10	.81 (20.6)	1.13 (28.7)	1.31 (33.3)		08			
14	14	15	13	12	.88 (22.4)	1.31 (33.3)	1.38 (35.1)		10			
16	16	17	15	14	.94 (23.9)	1.38 (35.1)	1.44 (36.6)		12			
18	18	19	17	16	.97 (24.6)	1.44 (36.6)	1.47 (37.3)		13			
20	20	21	19	18	1.06 (26.9)	1.63 (41.4)	1.56 (39.6)		15			
22	22	23	-	20	1.13 (28.7)	1.75 (44.5)	1.63 (41.4)		17			
24	24	25	23	22	1.19 (30.2)	1.88 (47.8)	1.69 (42.9)		19			
28	-	-	25	24	1.34 (34.0)	2.13 (54.1)	1.78 (45.2)		22			

\*\*Consult factory for additional entry sizes available.

447-325

# Composite Standard Profile EMI/RFI Banding Backshell with Shrink Boot Porch and Self-Locking Rotatable Coupling

Composite  
Backshells

A

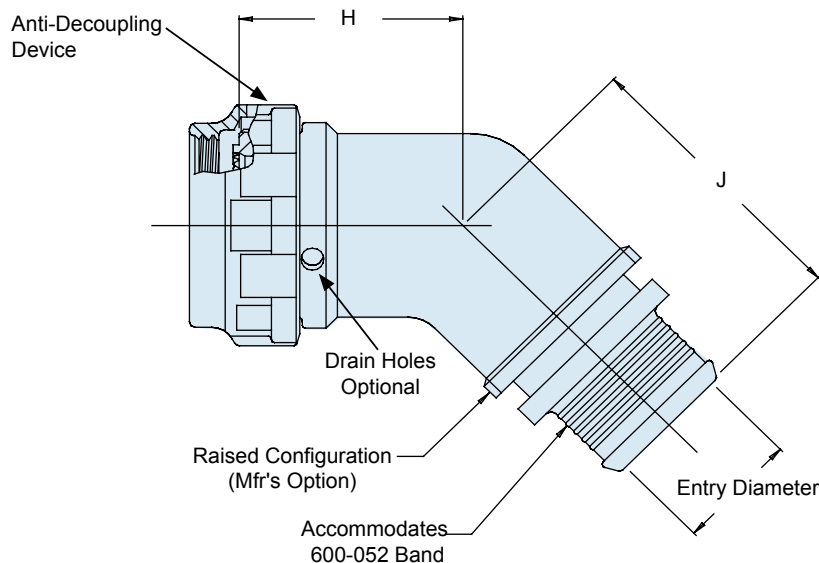


TABLE IV: CABLE ENTRY

Entry Code	Entry Dia.		Dash No.	Entry Dia.	
	$\pm 0.03$	(0.8)		$\pm 0.03$	(0.8)
03	.19	(4.8)	13	.81	(20.6)
04	.25	(6.4)	14	.88	(22.4)
05	.31	(7.9)	15	.94	(23.9)
06	.38	(9.7)	16	1.00	(25.4)
07	.44	(11.2)	17	1.06	(26.9)
08	.50	(12.7)	18	1.13	(28.7)
09	.56	(14.2)	19	1.19	(30.2)
10	.63	(16.0)	20	1.25	(31.8)
11	.69	(17.5)	22	1.38	(35.1)
12	.75	(19.1)			

TABLE III: FINISH

Symbol	Finish Description
XM	2000 Hour Corrosion Resistant Electroless Nickel
XMT	2000 Hour Corrosion Resistant Ni-PTFE, Nickel-Fluorocarbon Polymer. 1000 Hour Grey™
XW	2000 Hour Corrosion Resistant Cadmium/Olive Drab over Electroless Nickel

TABLE II: CONNECTOR SHELL SIZE (45°)

Shell Size For Connector Designator*						H	J	Max Entry Dash No.
A	F/L	H	G	U		$\pm .06$	$\pm .09$	(Table IV)
						(1.5)	(2.3)	
08	08	09	-	-		.72 (18.3)	1.00 (25.4)	04
10	10	11	-	08		.75 (19.1)	1.06 (26.9)	06
12	12	13	11	10		.75 (19.1)	1.13 (28.7)	08
14	14	15	13	12		.76 (19.3)	1.16 (29.5)	10
16	16	17	15	14		.78 (19.8)	1.18 (30.0)	12
18	18	19	17	16		.79 (20.1)	1.19 (30.2)	13
20	20	21	19	18		.82 (20.8)	1.22 (31.0)	15
22	22	23	-	20		.86 (21.8)	1.26 (32.0)	17
24	24	25	23	22		.89 (22.6)	1.29 (32.8)	19
28	-	-	25	24		.92 (23.4)	1.32 (33.5)	22

## NOTES

- 770-001S\*\*-0 shrink boot supplied with T option. See shrink boot product page for more details.
- O-Ring will not be supplied with Connector Designator A.
- Coupling nut supplied unplated.
- Consult factory for O-Ring to be supplied with part less shrink boot.
- Metric dimensions (mm) are in parenthesis and are for reference only.
- See Table I in Intro for front-end dimensional details.