

DO NOT SCALE FROM THIS PRINT

USB-A-S-X-X-VT-X

TYPE
-A

CONFIGURATION
-S: SINGLE

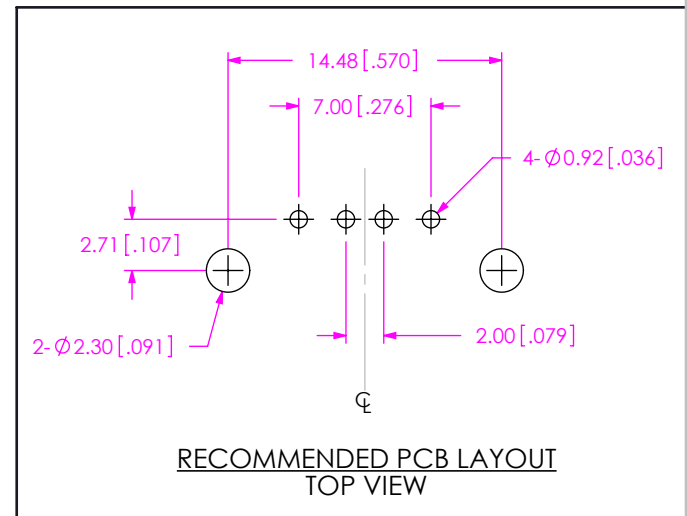
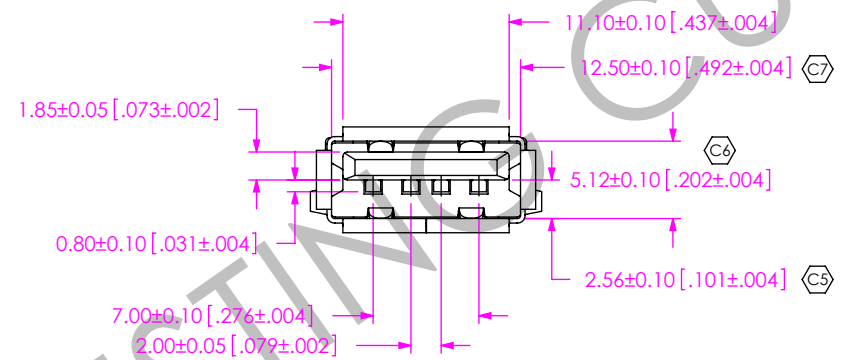
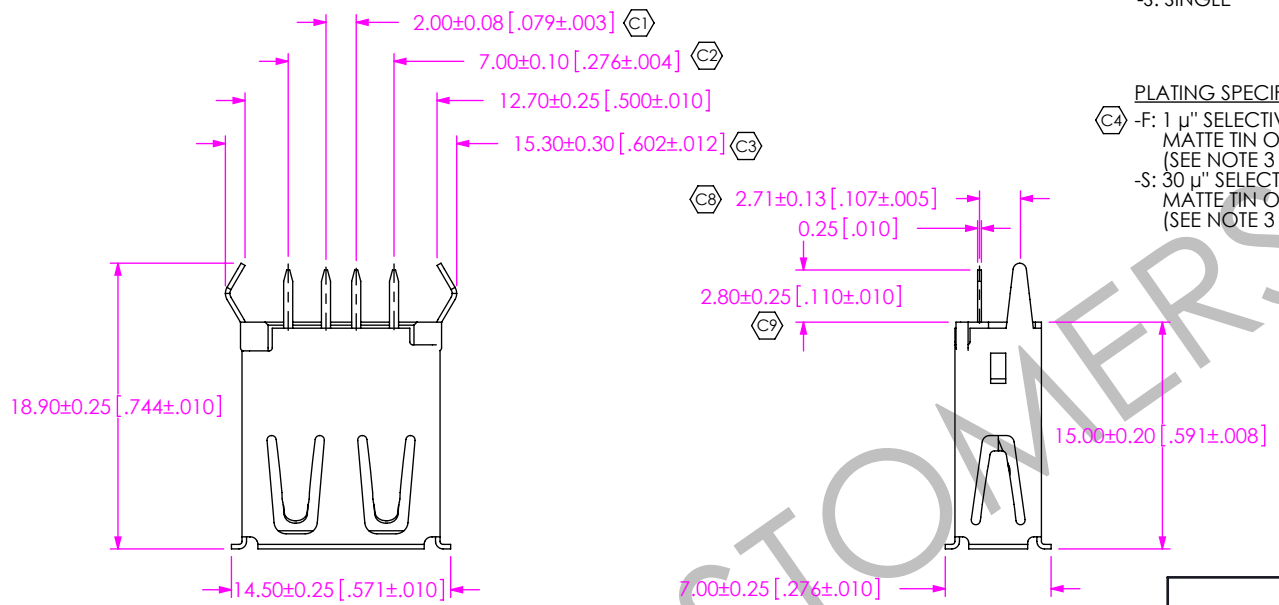
OPTION
-R: ROHS COMPLIANT

TERMINATION
-VT: VERTICAL THROUGH HOLE

COLOR
-B: BLACK
-W: WHITE

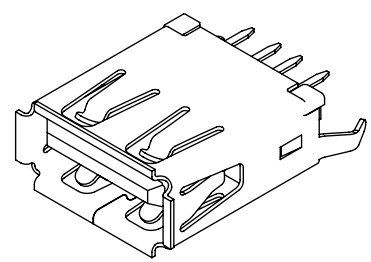
PLATING SPECIFICATION

C4 -F: 1 μ" SELECTIVE GOLD IN CONTACT AREA, MATTE TIN ON TAIL (SEE NOTE 3 FOR -R OPTION)
-S: 30 μ" SELECTIVE GOLD IN CONTACT AREA, MATTE TIN ON TAIL (SEE NOTE 3 FOR -R OPTION)



RECOMMENDED PCB LAYOUT
TOP VIEW

- NOTES:
1. [C] REPRESENTS A CRITICAL DIMENSION.
 2. DELETED
 3. ALL PARTS ARE ROHS COMPLIANT WITH OR WITHOUT -R.
 4. PARTS TO BE PACKAGED IN TRAYS



<p>UNLESS OTHERWISE SPECIFIED, DIMENSIONS ARE IN MM. TOLERANCES ARE: DECIMALS ANGLES .X: ±.3 [.01] 2° .XX: ±.13 [.005] .XXX: ±.051 [.0020]</p>	<p>PROPRIETARY NOTE THIS DOCUMENT CONTAINS INFORMATION CONFIDENTIAL AND PROPRIETARY TO SAMTEC, INC. AND SHALL NOT BE REPRODUCED OR TRANSFERRED TO OTHER DOCUMENTS OR DISCLOSED TO OTHERS OR USED FOR ANY PURPOSE OTHER THAN THAT WHICH IT WAS OBTAINED WITHOUT THE EXPRESSED WRITTEN CONSENT OF SAMTEC, INC.</p>	<p>520 PARK EAST BLVD, NEW ALBANY, IN 47150 PHONE: 812-944-6733 FAX: 812-948-5047 e-Mail: info@SAMTEC.com code: 55322</p>
<p>MATERIAL: DO NOT SCALE DRAWING SHEET SCALE: 2:1 INSULATOR: PBT CONTACT: PHOS BRONZE</p>		<p>DESCRIPTION: USB A, SINGLE, VERTICAL THROUGH HOLE DWG. NO.</p>
		<p>USB-A-S-X-X-VT-X BY: B.HARPENAU 2/06/06 SHEET 1 OF 1</p>