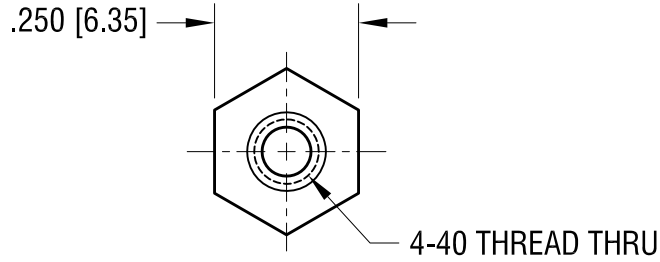
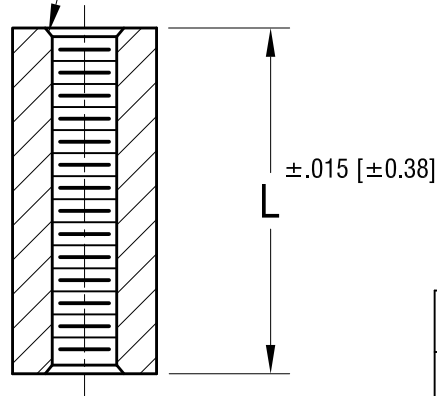


THIS DOCUMENT IS THE PROPERTY OF
KEYSTONE ELECTRONICS CORP. AND
SHALL NOT BE REPRODUCED, DISTRIBUTED
OR USED AS A BASIS FOR MANUFACTURE
WITHOUT PRIOR WRITTEN PERMISSION
FROM KEYSTONE ELECTRONICS CORP.

ACTUAL SIZE
P/N 8440E



CHAMFER IS OPTIONAL



PART NO.	'L' DIM.
8440A	.250 [6.35]
8440B	.375 [9.52]
8440C	.500 [12.70]
8440D	.625 [15.87]
8440E	.750 [19.05]
8440F	.875 [22.22]
* 8440G	1.000 [25.4]

NOTE:
1.* PART TO BE TAPPED FROM BOTH ENDS

KEYSTONE ELECTRONICS CORP.

www.keyelco.com • NEW HYDE PARK, NY 11040 • Tel (516) 328-7500

PART NAME
HEX STANDOFF, FLAME RETARDANT

MATERIAL
NYLON 6/6 UL 94V-0

FINISH NONE	DRN BY BOONE	DATE 1.25.96
	APP'D LN	SCALE 3X

TOLERANCES	INCH [MM]	CODE	DWG NO.
DECIMAL	± .005 [± 0.13]	C	8440-
ANGULAR	± 1°		
UNLESS OTHERWISE SPECIFIED			

9.16.22	ADD CHAMFER CHANGE AS PER ECN 22-148	A
DATE	DESCRIPTION	REV.