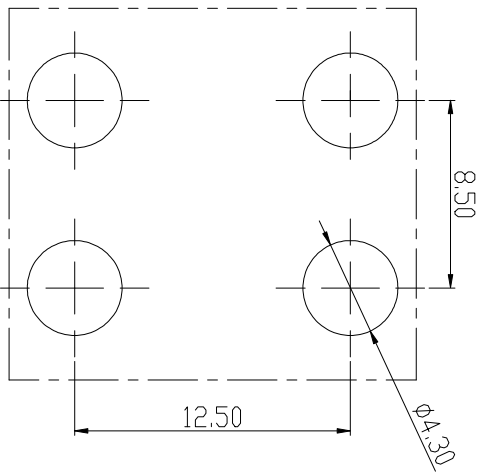
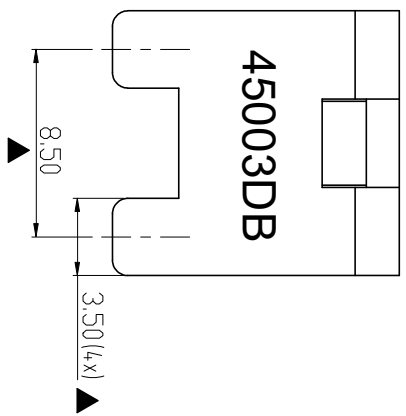
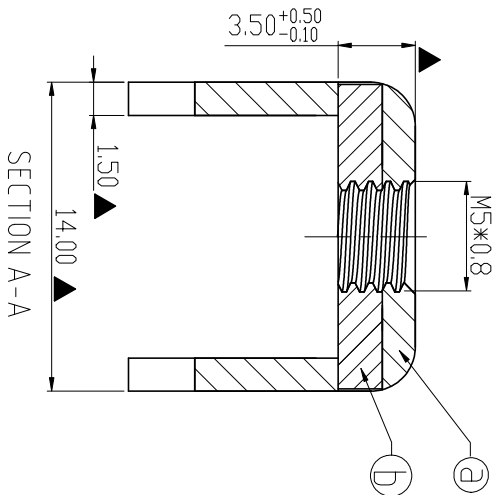
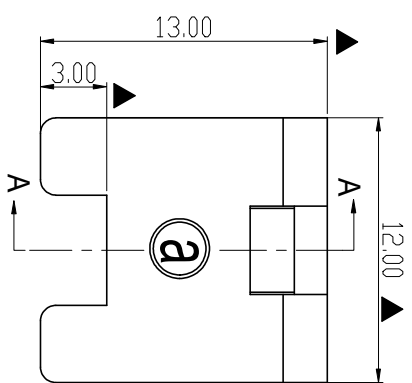


REV.	SIGN.	DATE	DESCRIPTION	APPROVER
THIS IS CAD DRAWING, DO NOT REVISE MANUALLY!!!				

Technical Specification:

1. Current: 150A.
2. Torque: 15 lbf.in.
3. Mark "▲" is the Critical dimension.



①	Spacer	Steel, Matte Tin Plated	1PCS
②	terminal	Copper alloy, Matte Tin Plated	1PCS
ITEM	PART NAME	DESCRIPTION	Q'ty

**Amphenol**  
**ANYTEK**

**CUSTOMER COPY**  
ALL RIGHTS RESERVED. REPRODUCTION OR ISSUE TO THIRD PARTIES IN ANY FORM WHATSOEVER IS NOT PERMITTED WITHOUT WRITTEN AUTHORITY FROM THE PROPRIETOR. PROPERTY OF ANYTEK TECHNOLOGY CO., LTD

TITLE		AMT45003DB Stamped terminal		DWG NO.		8AMT0001	
PART NO.		AMT0450003DB0000G		CUST NO.			
APPROVED	CHECKED	DESIGNED	DRAWN	UNIT: mm	Tolerance		
	Seamus	Seamus	Seamus	SCALE: NONE	>30	±0.60	
	2023.10.16	2023.10.16	2023.10.16	REV.: A0	0-6	±0.40	
					ANGLES	±1°	

PCB LAYOUT