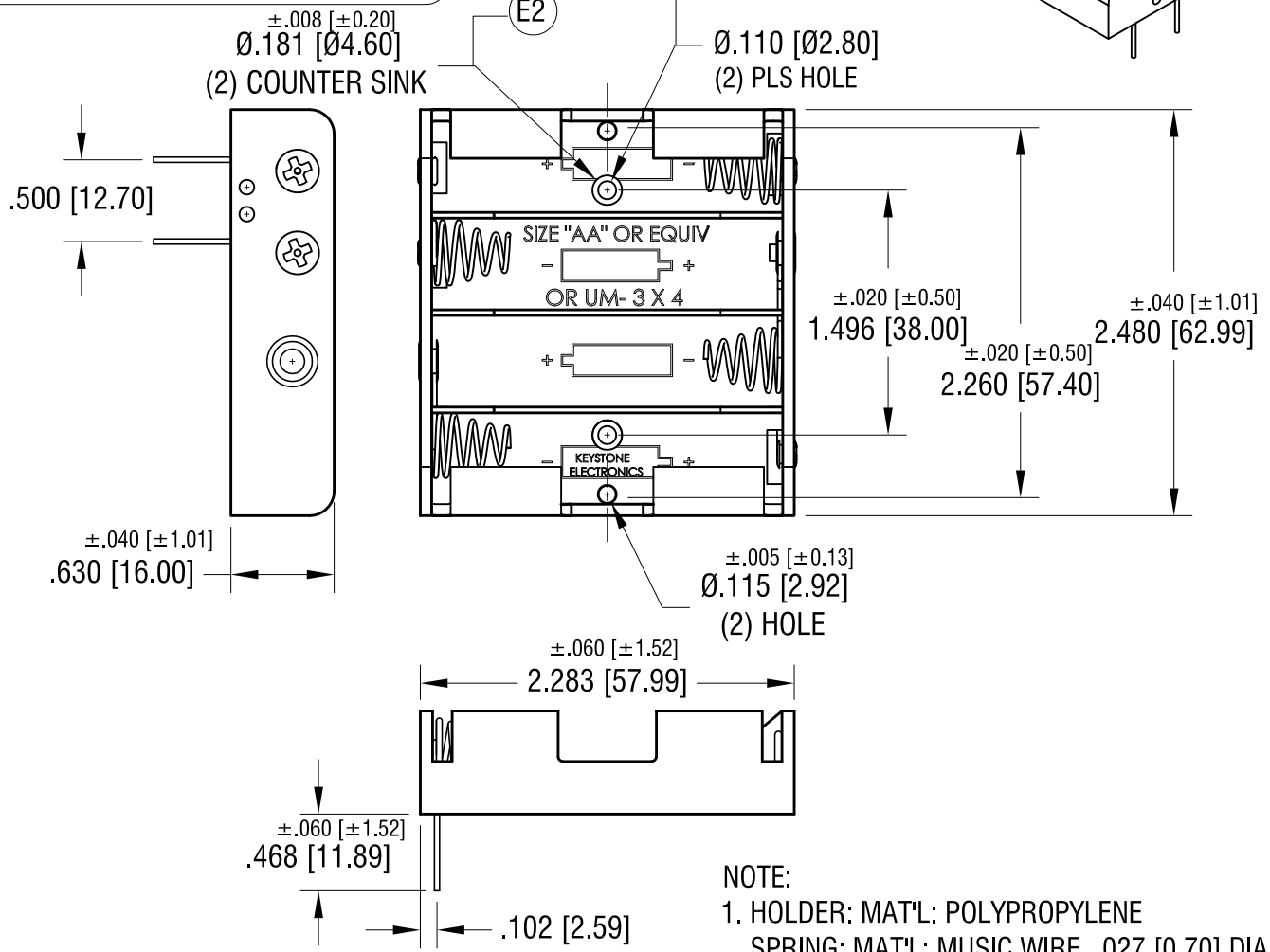
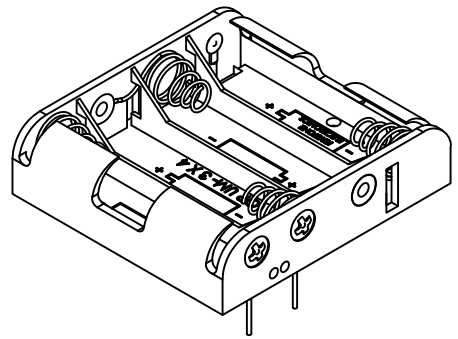
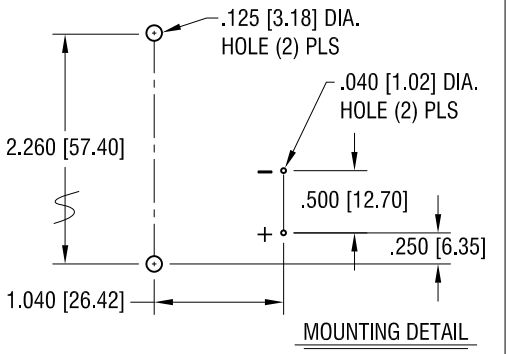


THIS DOCUMENT IS THE PROPERTY OF KEYSTONE ELECTRONICS CORP. AND SHALL NOT BE REPRODUCED, DISTRIBUTED OR USED AS A BASIS FOR MANUFACTURE WITHOUT PRIOR WRITTEN PERMISSION FROM KEYSTONE ELECTRONICS CORP.



NOTE:
 1. HOLDER: MAT'L: POLYPROPYLENE
 SPRING: MAT'L: MUSIC WIRE, .027 [0.70] DIA.
 PC TERMINALS: MAT'L: BRASS, .032 [0.81] DIA.

	ADD (E1) AND (E2)	
3.26.19	CHANGE AS PER ECN 19-039	E
9.13.08	CHANGE AS PER ECN 08-154	D
7.14.03	CHANGE AS PER ECN 03-044	C
4.7.03	CHANGE AS PER ECN 03-028	B
11.10.99	CHANGE AS PER ECN 99-082	A
DATE	DESCRIPTION	REV.

KEYSTONE ELECTRONICS CORP.			
www.keyelco.com • NEW HYDE PARK, NY 11040 • Tel (516) 328-7500			
PART NAME		PC BATTERY HOLDER (4) 'AA'	
MATERIAL		AS NOTED	
FINISH	NICKEL PLATE	DRN BY	BOONE
		APP'D	RH
		DATE	3.1.99
		SCALE	.9X
TOLERANCES	INCH [MM]	CODE	DWG NO.
DECIMAL	± .010 [± 0.25]	C	2477
ANGULAR	± 1°		
UNLESS OTHERWISE SPECIFIED			