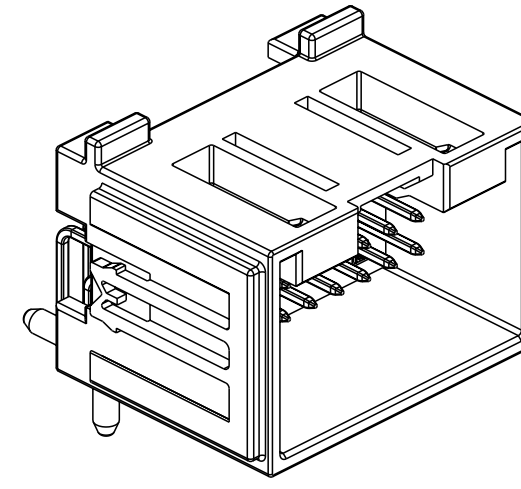
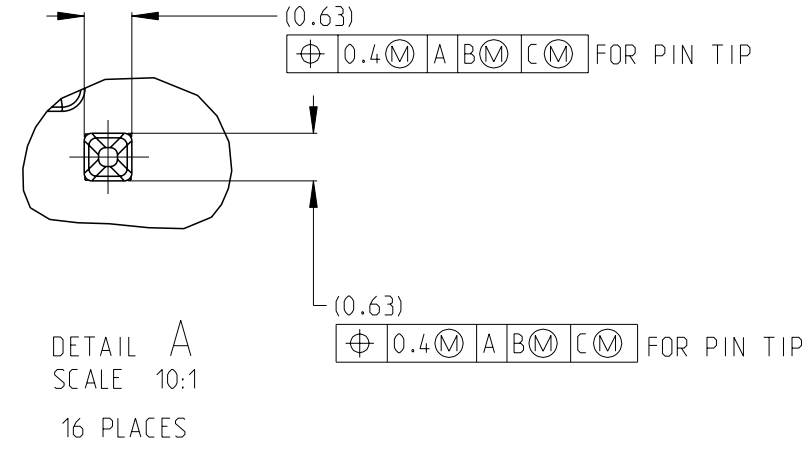
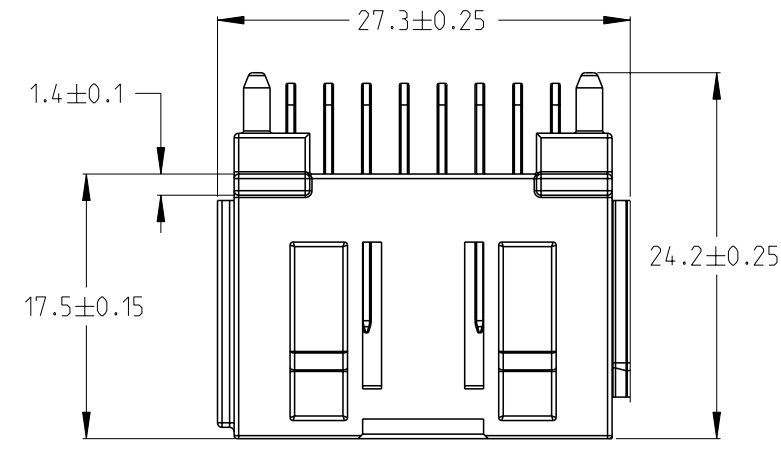
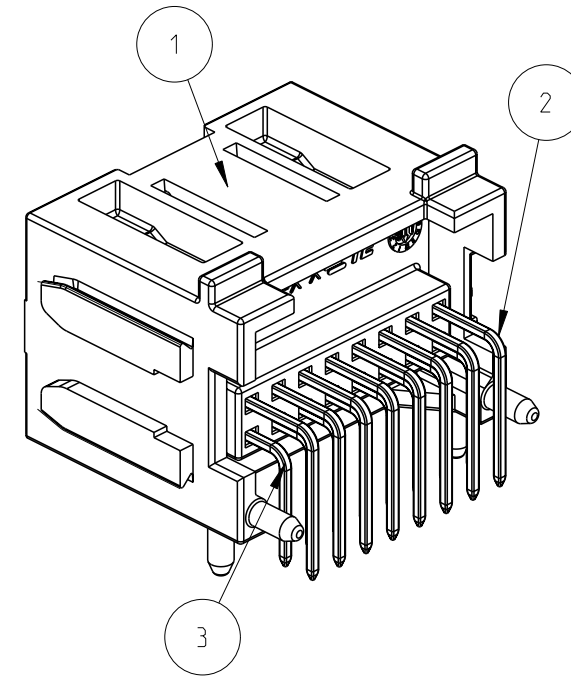
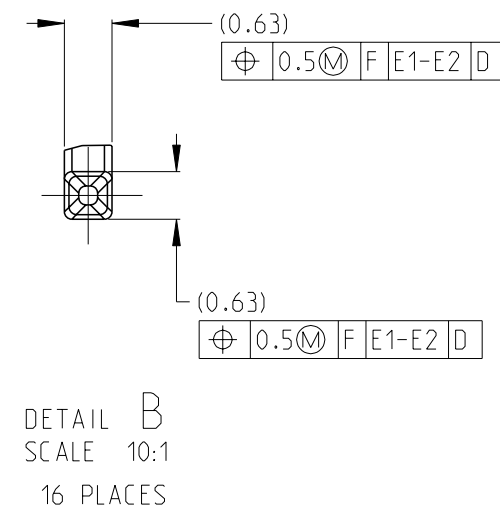
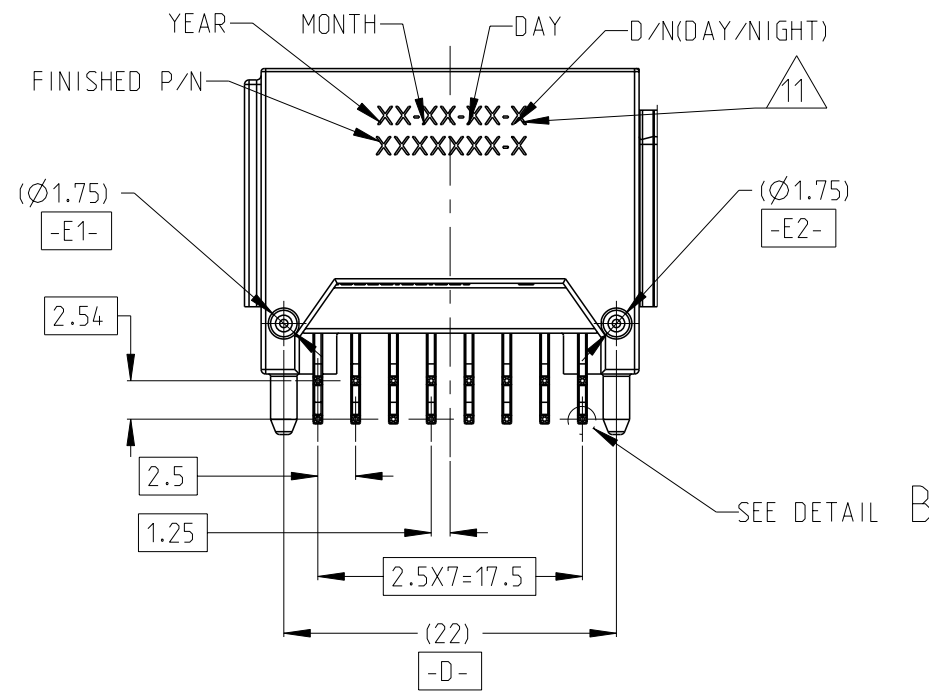
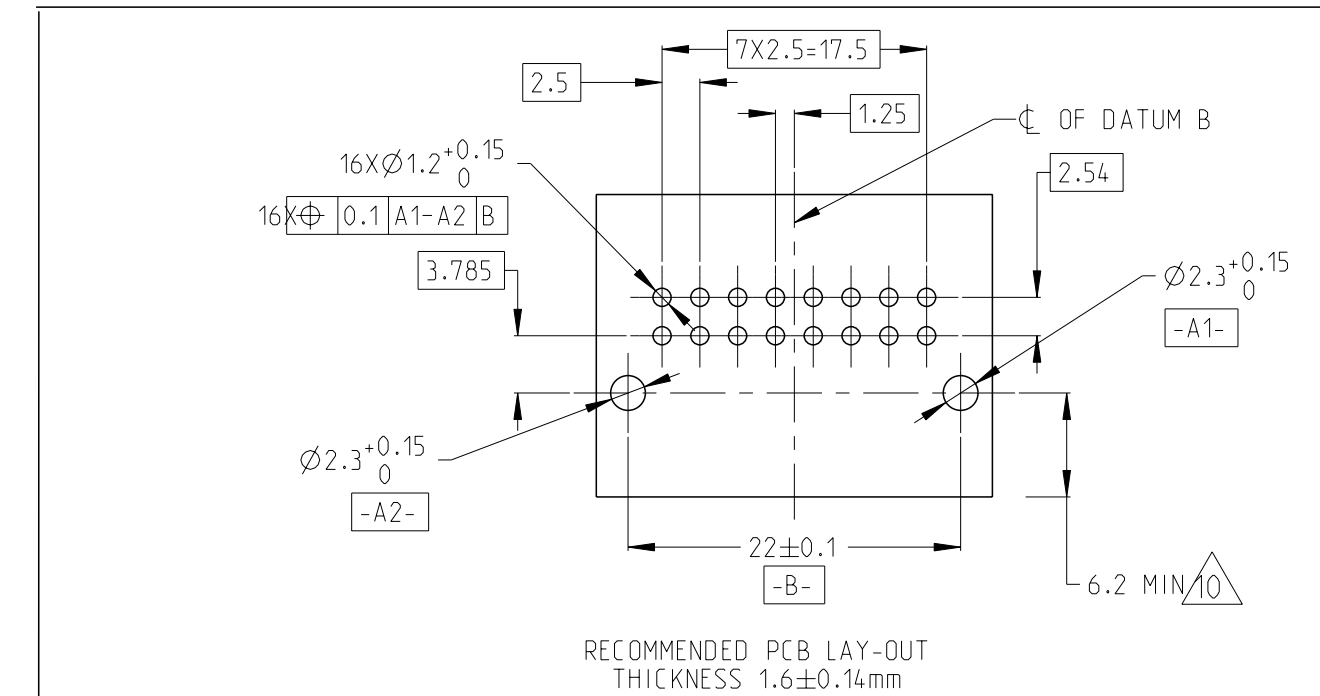
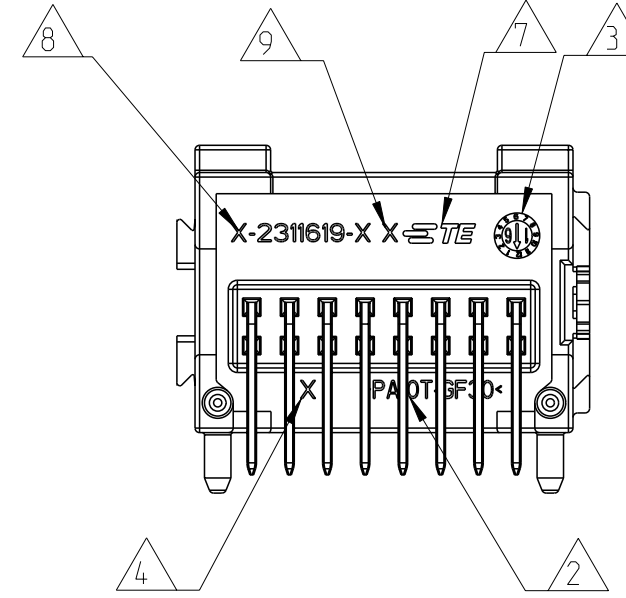
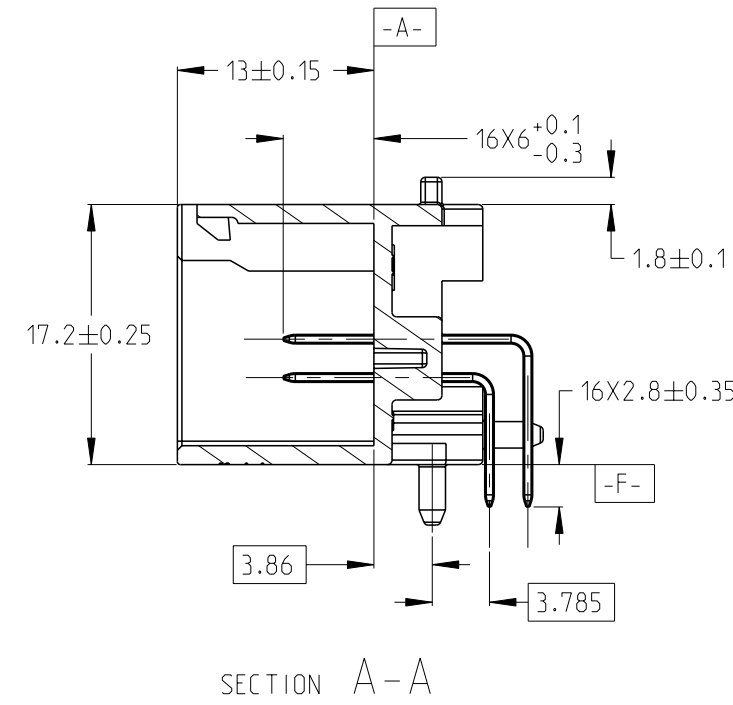
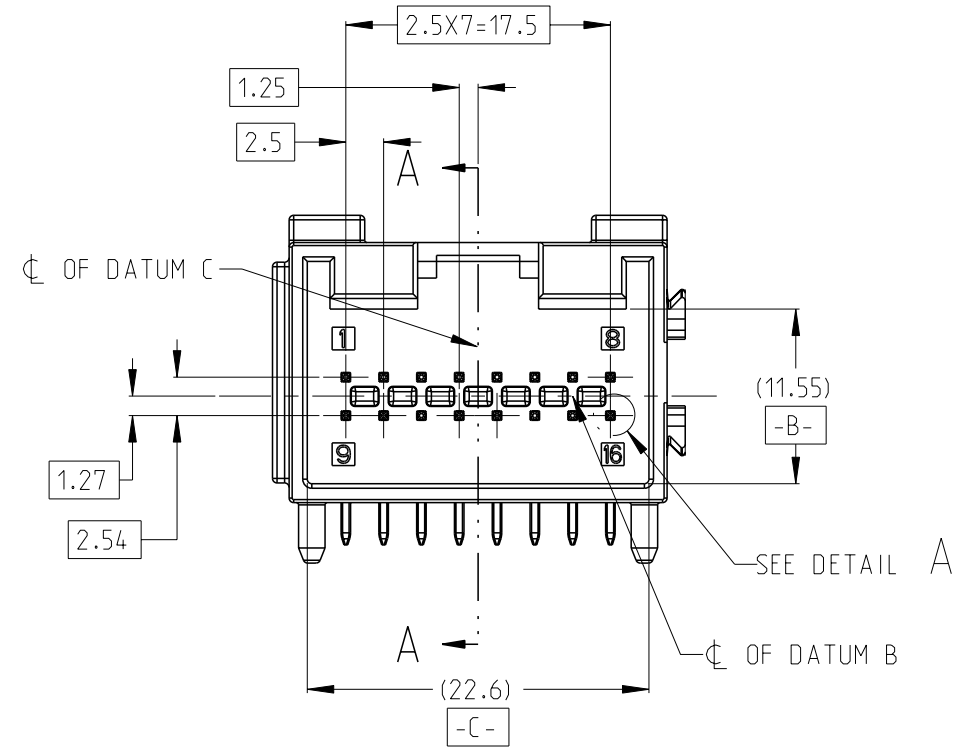


THIS DRAWING IS UNPUBLISHED. RELEASED FOR PUBLICATION 20
 © COPYRIGHT 20 BY - ALL RIGHTS RESERVED.

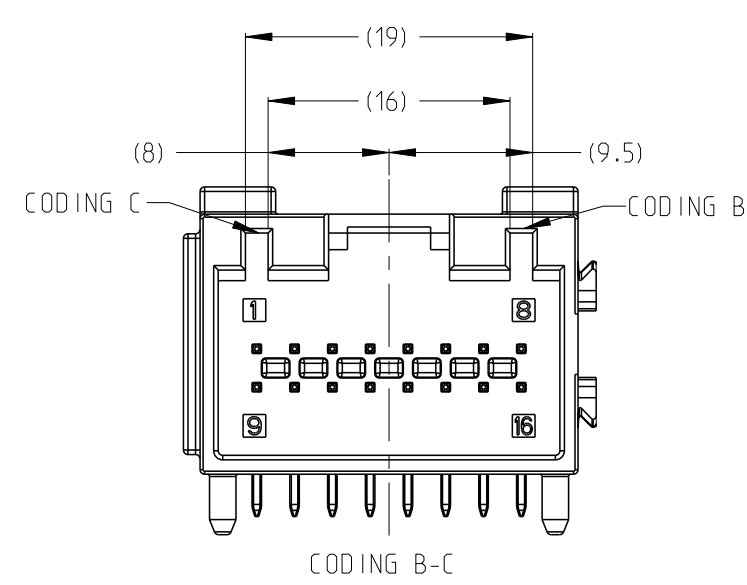
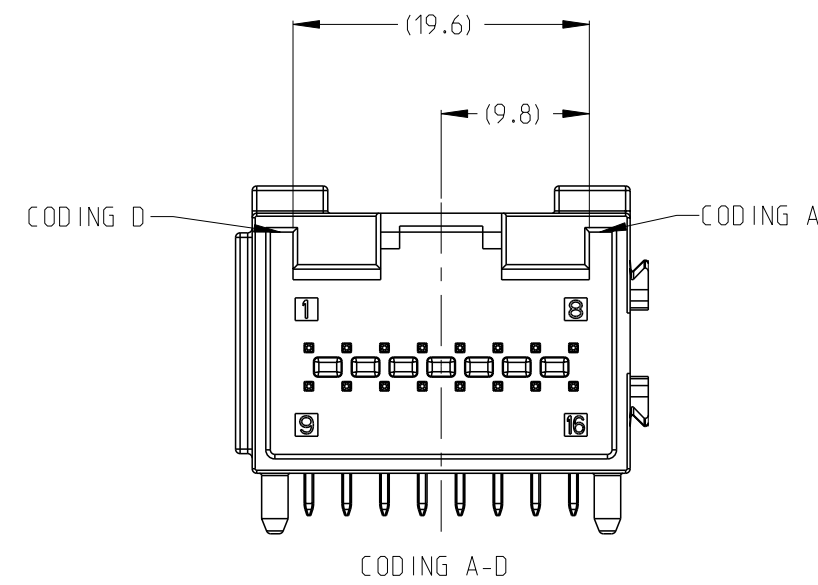
| REVISIONS | | | | | |
|-----------|---------------|-------------|---------|-----|------|
| P | LTR | DESCRIPTION | DATE | DWN | APVD |
| B1 | ECR-17-016790 | | 17NOV17 | K.W | W.W |
| B2 | ECR-18-008704 | | 13JUL18 | K.W | W.W |
| B3 | ECR-18-012473 | | 08AUG18 | K.W | W.W |
| B4 | ECN-24-249385 | | 26JAN24 | C.J | J.Z |



- 1 PLASTIC MATERIAL: PA10T OR SPS
SQ PIN MATERIAL: CuZn30
PLATING SPEC: TIN OVER NICKEL
- 2 MATERIAL MARKING
- 3 PLASTIC HOUSING PRODUCTION MONTH CLOCK
- 4 TOOL CAVITY MARKING 1,2,3,4...
- 5. PRODUCT OPERATION TEMPERATURE RANGE:-40°C~105°C
- 6. SUITABLE MATING CONNECTOR: 2301695
- 7 TE-LOGO
- 8 TE SEMIFINISHED PART NUMBER
- 9 TE SEMIFINISHED PART REVISION
- 10 PRODUCT STABILIZATION FOR SOLDERING PROCESS
- 11 PRODUCT ASSEMBLY DATA INFORMATION



16 WAY CODINGS



| TE P/N | CODING | TRAY/REEL | CARTON | QTY | DESCRIPTION | MATERIAL | COLOR/FINISH | ITEM NO |
|-----------|--------|--------------------------|----------------------|-----|----------------|--------------|--------------|---------|
| 2311622-6 | A-D | REEL DIM 56*24mm | DIM 380*380*120mm | 8 | 0.63 SQ PIN | CuZn30 | Sn OVER Ni | 3 |
| | | | | 8 | 0.63 SQ PIN | CuZn30 | Sn OVER Ni | 2 |
| 2311622-5 | A-D | TRAY DIM 340*210*29mm | DIM 417*346*220mm | 1 | 16 WAY HOUSING | PA10T OR SPS | BLACK | 1 |
| | | | | 8 | 0.63 SQ PIN | CuZn30 | Sn OVER Ni | 2 |
| 2311622-4 | B-D | TRAY DIM 375*275*31mm | DIM 380*280*185mm | 1 | 16 WAY HOUSING | PA10T OR SPS | BLACK | 1 |
| | | | | 8 | 0.63 SQ PIN | CuZn30 | Sn OVER Ni | 3 |
| 2311622-3 | A-C | TRAY DIM 375*275*31mm | DIM 380*280*185mm | 8 | 0.63 SQ PIN | CuZn30 | Sn OVER Ni | 2 |
| | | | | 1 | 16 WAY HOUSING | PA10T OR SPS | GREEN | 1 |
| 2311622-2 | B-C | TRAY DIM 375*275*31mm | DIM 380*280*185mm | 8 | 0.63 SQ PIN | CuZn30 | Sn OVER Ni | 3 |
| | | | | 1 | 16 WAY HOUSING | PA10T OR SPS | BROWN | 1 |
| 2311622-1 | A-D | TRAY DIM 375*275*31mm | DIM 380*280*185mm | 8 | 0.63 SQ PIN | CuZn30 | Sn OVER Ni | 3 |
| | | | | 1 | 16 WAY HOUSING | PA10T OR SPS | BLACK | 1 |

THIS DRAWING IS A CONTROLLED DOCUMENT. DWN: K.WEI 14DEC2016
 CHK: E.JIANG 04JAN2017
 APVD: J.YIN 23JAN2017

DIMENSIONS: mm TOLERANCES UNLESS OTHERWISE SPECIFIED:
 0-PLC ±
 1-PLC ±0.1
 2-PLC ±0.01
 3-PLC ±0.001
 4-PLC ±0.0001
 ANGLES ±
 FINISH ±

MATERIAL: 1

PRODUCT SPEC: 108-101528
 APPLICATION SPEC: 114-101065
 WEIGHT: -

CUSTOMER DRAWING

NAME: 16 WAY MQS PIN HEADER
 SIZE: A2 CAGE CODE: - DRAWING NO: C-2311622 RESTRICTED TO: -
 SCALE: 2:1 SHEET: 1 OF 1 REV: B4

TE Connectivity

Printed on 26 Jan 2024 09:52 (China Standard Time) from TES10287