



Molded-plastic enclosure for surface mounting Degree of protection IP55 with N and PE terminal Can be locked in O position 54 mm with metric cable gland No UL/CSA approval

product designation	ISO surface-mounted housing
design of the product	Assembly
<b>General technical data</b>	
product function EMERGENCY OFF function	No
protection class IP of the enclosure	IP55
Substance Prohibittance (Date)	07/01/2006
<b>Enclosure</b>	
material of the enclosure	plastic
<b>Installation/ mounting/ dimensions</b>	
height	155 mm
width	85 mm
depth	126 mm

<b>Approvals Certificates</b>		
General Product Approval	Declaration of Conformity	Test Certificates

[Confirmation](#)



EG-Konf.

[Special Test Certificate](#)

[Type Test Certificates/Test Report](#)

Marine / Shipping	other	Railway
-------------------	-------	---------



ABS



BUREAU VERITAS

[Miscellaneous](#)

[Confirmation](#)



VDE

[Special Test Certificate](#)

**Further information**

Siemens has decided to exit the Russian market (see here).  
<https://press.siemens.com/global/en/pressrelease/siemens-wind-down-russian-business>

Siemens is working on the renewal of the current EAC certificates.

Please contact your local Siemens office on the status of validity of the EAC certification if you intend to import or offer to supply these products to an EAC relevant market (other than the sanctioned EAEU member states Russia or Belarus).

Information on the packaging

<https://support.industry.siemens.com/cs/ww/en/view/109813875>

Information- and Downloadcenter (Catalogs, Brochures,...)

<https://www.siemens.com/ic10>

Industry Mall (Online ordering system)

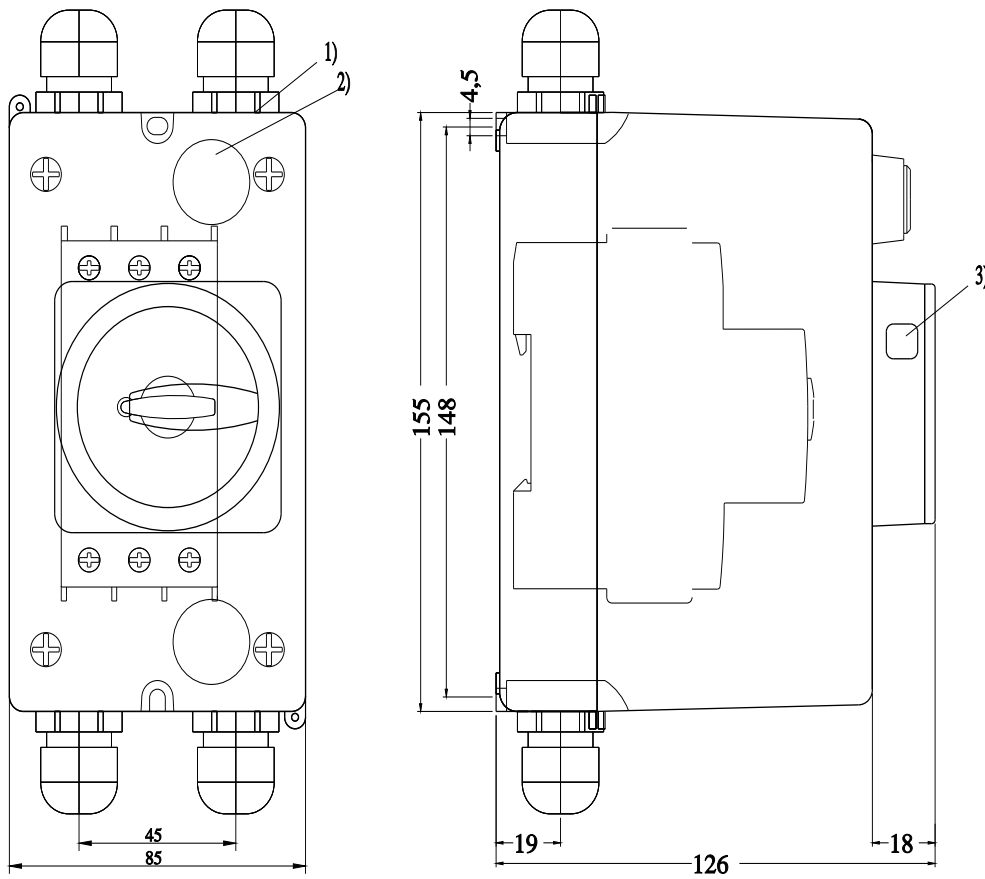
<https://mall.industry.siemens.com/mall/en/en/Catalog/product?mlfb=3RV1923-1CA00>

Cax online generator

<https://support.automation.siemens.com/WW/CAXorder/default.aspx?lang=en&mlfb=3RV1923-1CA00>

Service&Support (Manuals, Certificates, Characteristics, FAQs,...)

<https://support.industry.siemens.com/cs/ww/en/ps/3RV1923-1CA00>



- 1) Ausbrechoeffnung fuer Verschraubung M25
- 2) Ausbrechoeffnung fuer rueckseitige Leitungseinfuehrung
- 3) Oeffnung fuer Vorhaengeschoess mit Buegeldurchmesser max. 8 mm

last modified:

12/23/2020 