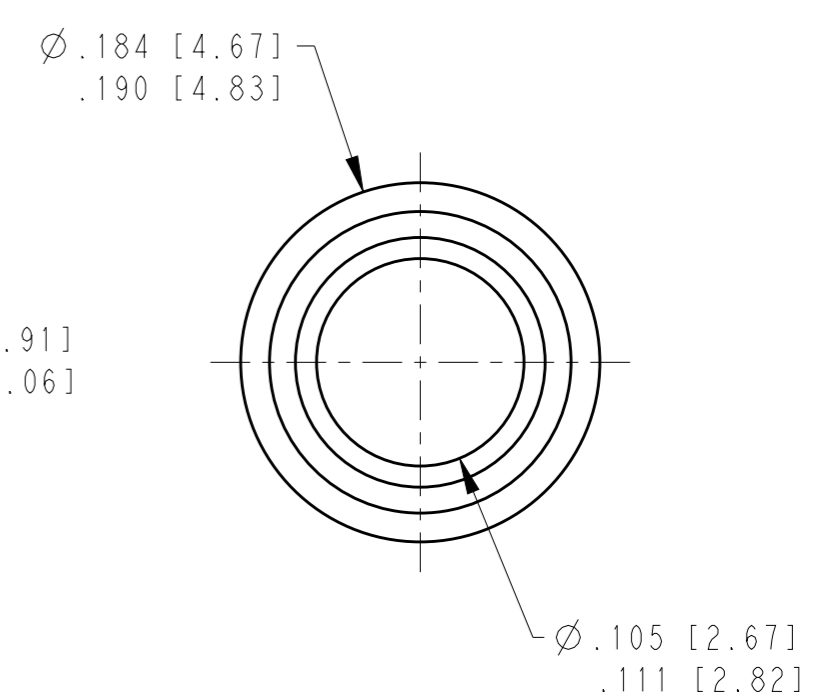
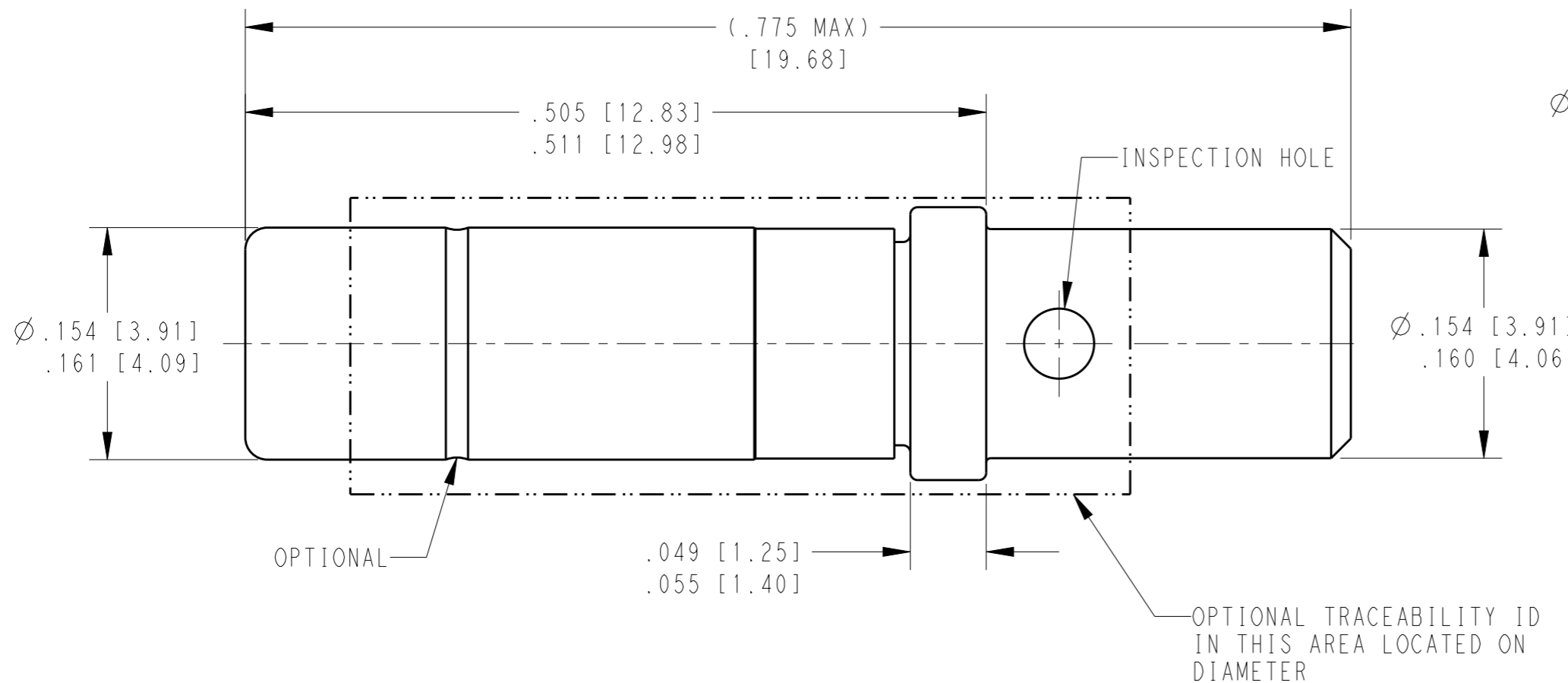


REVISIONS

P	LTR	DESCRIPTION	DATE	DWN	APVD
	NC	NEW RELEASE PER E.O P15504	22FEB2007	-	RDR
	A	NEW RELEASE PER E.O. P20205	04JUN2009	DM	RDR
	B	REVISED PER E-18-001206	24JAN2018	JA	DM



TE INTERNAL PN	DEUTSCH PN	PLATING
0462-203-1231	0462-203-1231	GOLD
0462-203-12141	0462-203-12141	NICKEL

THIS DRAWING IS A CONTROLLED DOCUMENT.		DWN D. MEYER 16DEC1997	<b>STE</b> TE Connectivity	
DIMENSIONS: INCHES [mm]		CHK M. GONZALES 03JUN2009		
TOLERANCES UNLESS OTHERWISE SPECIFIED:		APVD R. REED 04JUN2009	NAME CONTACT SOCKET SIZE 12	
0 PLC $\pm$		PRODUCT SPEC 0425-015-0000	SIZE A3	
1 PLC $\pm$		APPLICATION SPEC 0425-205-0000	CAGE CODE 4AFU8	DRAWING NO 0462-203-12XX
2 PLC $\pm$		WEIGHT 1.27g	RESTRICTED TO	
3 PLC $\pm$		CUSTOMER DRAWING	SCALE 10:1	SHEET 1 OF 1
4 PLC $\pm$				REV B
ANGLES $\pm$				
FINISH				

NOTES:  
1. WIRE RANGE : 14 AWG TO 12 AWG [2.0 - 3.0 mm<sup>2</sup>]