

41829-1 ✓ ACTIVE

FASTON | FASTON 250

TE Internal #: 41829-1

Receptacle, 14 – 12 AWG Wire Size, 2.1 – 3.31 mm² Wire Size,
Mating Tab Width 6.35 mm [.25 in], Straight, Brass, FASTON 250,
Quick Disconnects

[View on TE.com >](#)



Terminals & Splices > Quick Disconnects



Quick Disconnect Terminal Type: **Receptacle**

Wire Size: **2.1 – 3.31 mm²**

Mating Tab Width: **6.35 mm [.25 in]**

Mating Tab Thickness: **.81 mm [.032 in]**

Features

Product Type Features

Insertion Force	Normal
-----------------	--------

Configuration Features

Connection Capacity	Single
Compatible With Wire & Cable Type	Discrete Wire

Contact Features

Quick Disconnect Terminal Type	Receptacle
Mating Tab Width	6.35 mm [.25 in]
Mating Tab Thickness	.81 mm [.032 in]
Terminal Orientation	Straight
Contact Base Material	Brass
Terminal Plating Material	Tin
Crimp Type	F-Crimp
Barrel Type	Open

Termination Features



Product Terminates To	Wire & Cable
-----------------------	--------------

Mechanical Attachment

Wire Insulation Support	With
Mating Retention Type	Dimple

Dimensions

Terminal Material Thickness	.46 mm[.018 in]
Product Length	20.7 mm[.815 in]
Compatible Insulation Diameter Range	4.06 mm[.16 in]
Wire Size	2.1 – 3.31 mm ²

Usage Conditions

Insulation Option	Uninsulated
Operating Temperature Range	-40 – 110 °C[-40 – 230 °F]

Industry Standards

Compatible With Agency/Standards Products	CSA, UL
---	---------

Packaging Features

Packaging Quantity	500
Packaging Method	Loose Piece/Carton

Other

Line	Premier
------	---------

Product Compliance

[For compliance documentation, visit the product page on TE.com>](#)

EU RoHS Directive 2011/65/EU	Compliant
EU ELV Directive 2000/53/EC	Compliant
China RoHS 2 Directive MIIT Order No 32, 2016	No Restricted Materials Above Threshold
EU REACH Regulation (EC) No. 1907/2006	Current ECHA Candidate List: JUNE 2024 (241) Candidate List Declared Against: JUNE 2024 (241) Does not contain REACH SVHC
Halogen Content	Low Halogen - Br, Cl, F, I < 900 ppm per homogenous material. Also BFR/CFR/PVC Free
Solder Process Capability	Not applicable for solder process capability

Product Compliance Disclaimer

This information is provided based on reasonable inquiry of our suppliers and represents our current actual knowledge based on the information they provided. This information is subject to change. The part numbers that TE has identified as EU RoHS compliant have a maximum concentration of 0.1% by weight in homogenous materials for lead, hexavalent chromium, mercury, PBB, PBDE, DBP, BBP, DEHP, DIBP, and 0.01% for cadmium, or qualify for an exemption to these limits as defined in the Annexes of Directive 2011/65/EU (RoHS2). Finished electrical and electronic equipment products will be CE marked as required by Directive 2011/65/EU. Components may not be CE marked. Additionally, the part numbers that TE has identified as EU ELV compliant have a maximum concentration of 0.1% by weight in homogenous materials for lead, hexavalent chromium, and mercury, and 0.01% for cadmium, or qualify for an exemption to these limits as defined in the Annexes of Directive 2000/53/EC (ELV). Regarding the REACH Regulation, the information TE provides on SVHC in articles for this part number is based on the latest European Chemicals Agency (ECHA) 'Guidance on requirements for substances in articles' posted at this URL: <https://echa.europa.eu/guidance-documents/guidance-on-reach>

Compatible Parts



TE Part # 61810-2
FASTON .250 (6.3 MM) RECEPTACLE
TPBR



TE Part # 58525-1
PROCRIMPER TOOL & DIE



TE Part # 8-61765-1
FASTON, ADAPTER 250 HOUSING
REC&TAB TPBR



TE Part # 58525-2
PROCRIMPER DIE

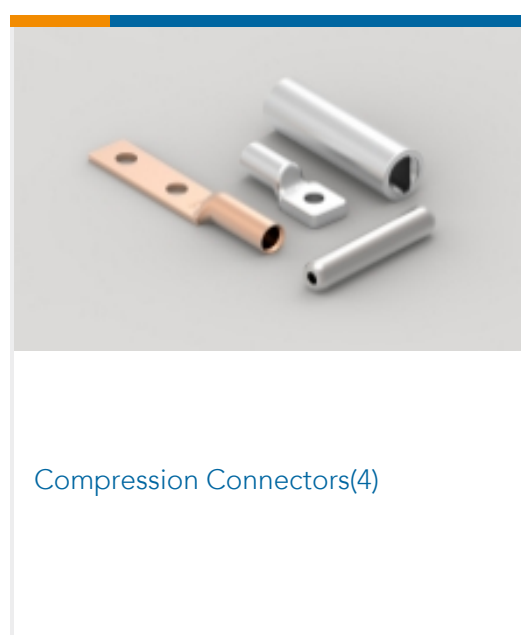


TE Part # 61873-1
250 FASTON REC 18-14 AWG TPBR

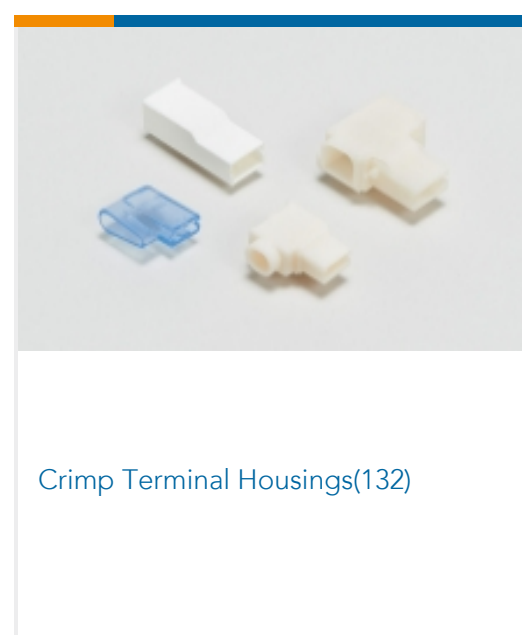


TE Part # 90120
DAHT 250 FASTON REC 14-10 ASSY

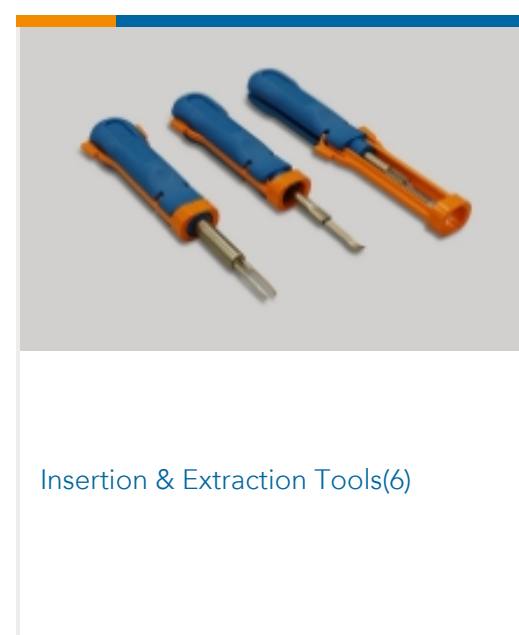
Also in the Series | FASTON 250



Compression Connectors(4)



Crimp Terminal Housings(132)



Insertion & Extraction Tools(6)



Magnet Wire Terminals(1)



PCB Terminals(134)

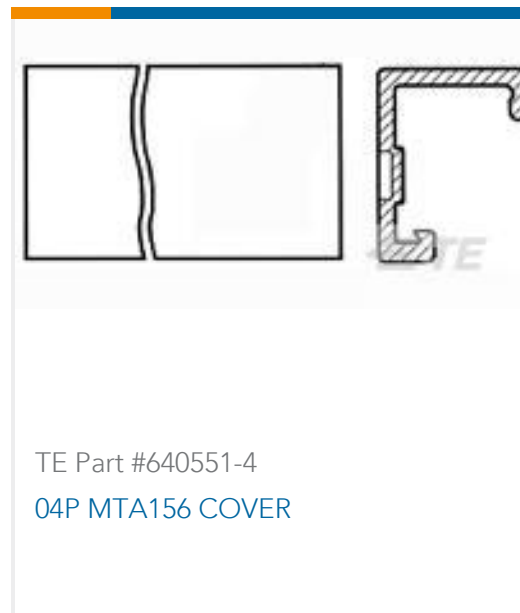
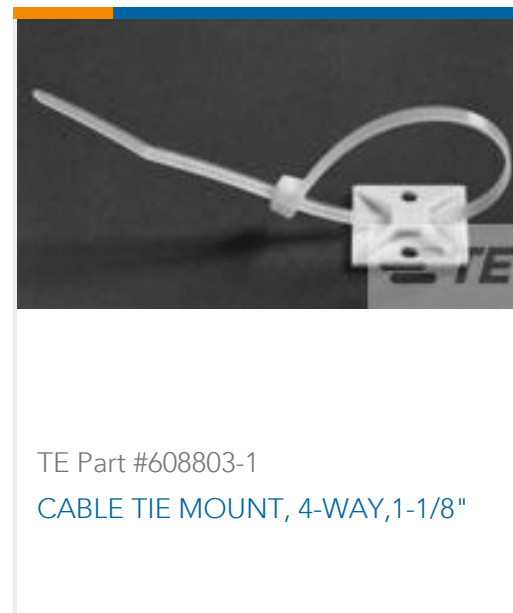


Quick Disconnects(426)



Splices(4)

Customers Also Bought

TE Part #8-6609107-0
PS0S0DS3B=C1264TE Part #640551-4
04P MTA156 COVERTE Part #608803-1
CABLE TIE MOUNT, 4-WAY,1-1/8"TE Part #6-1676481-2
CPF 0603 2K2 0.1% 25PPM 1K RLTE Part #2-2176251-9
CRGS2010 5% 220RTE Part #4-1423675-0
W57-XB1A4A10-20=CKTBKR,THERM,PTE Part #6-968971-1
MCP2.8 GEH ASSY 9PTE Part #2820383006
44A0111-22-8

Documents

Product Drawings

[250 FASTON REC 14-12 AWG TPBR](#)

English

CAD Files

Customer View Model

[ENG_CVM_CVM_41829-1_AN.2d_dxf.zip](#)

English

[3D PDF](#)

3D

Customer View Model

[ENG_CVM_CVM_41829-1_AN.3d_igs.zip](#)

English

Customer View Model

[ENG_CVM_CVM_41829-1_AN.3d_stp.zip](#)

English

By downloading the CAD file I accept and agree to the [Terms and Conditions](#) of use.



Product Specifications

Wire Preparation And Crimp Inspection Guide

English

Product Specification

English

Agency Approvals

UL Report

English