

# Customer Information Sheet

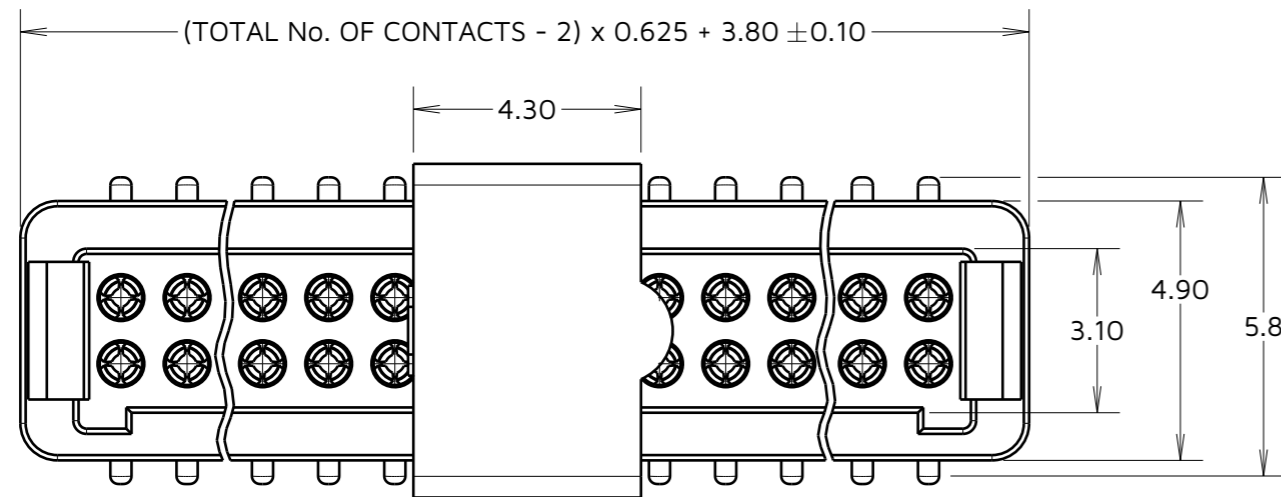
IF IN DOUBT - ASK



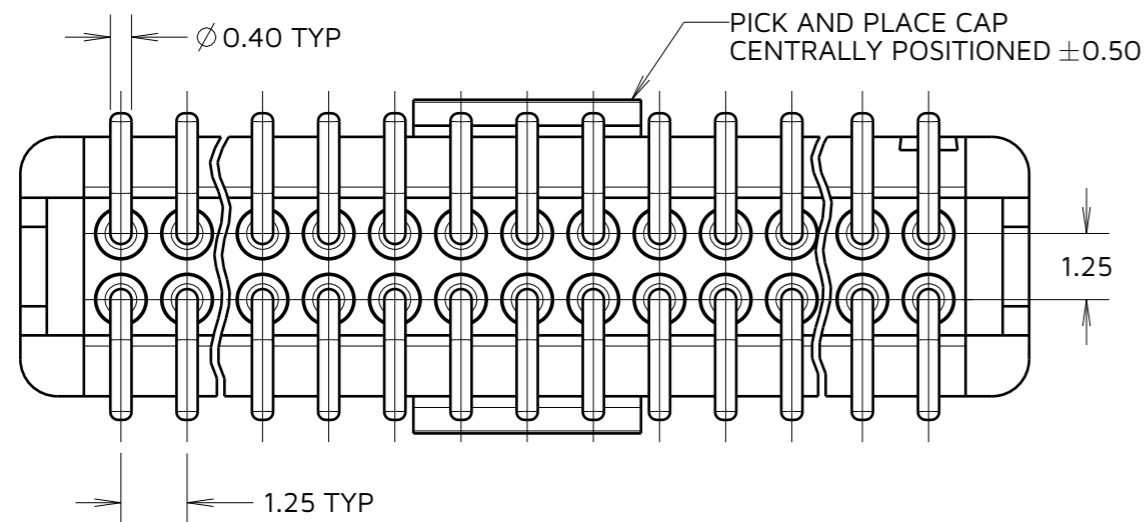
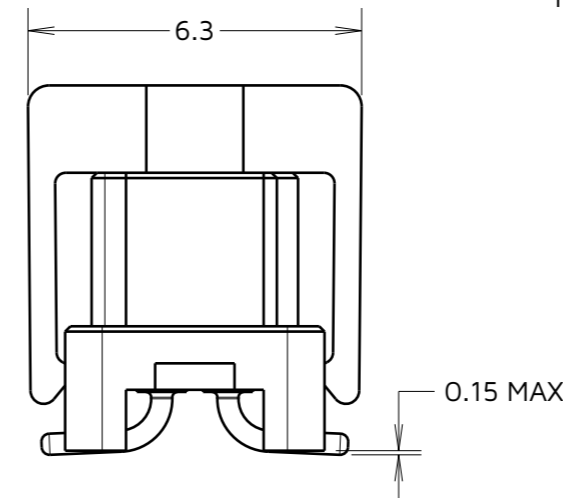
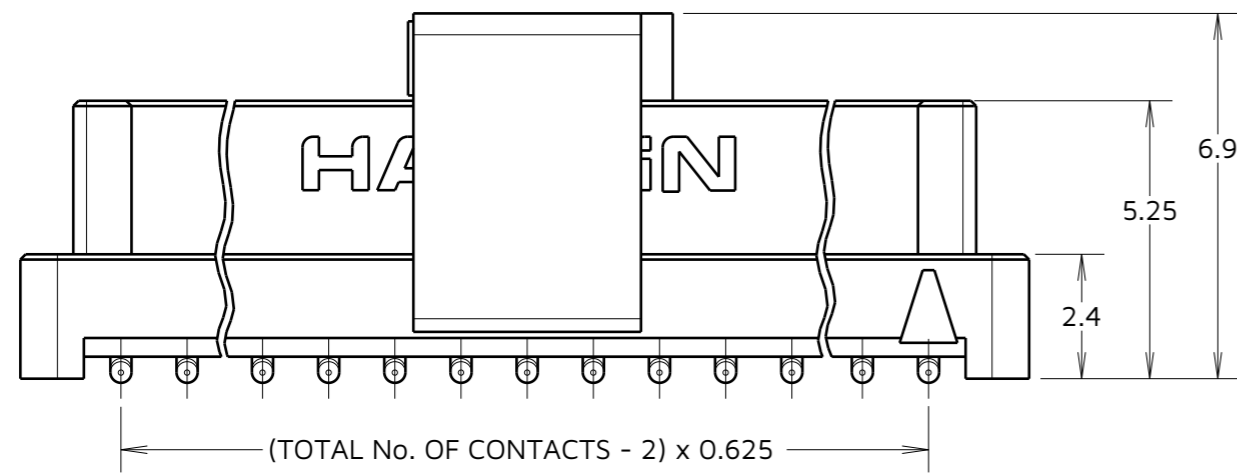
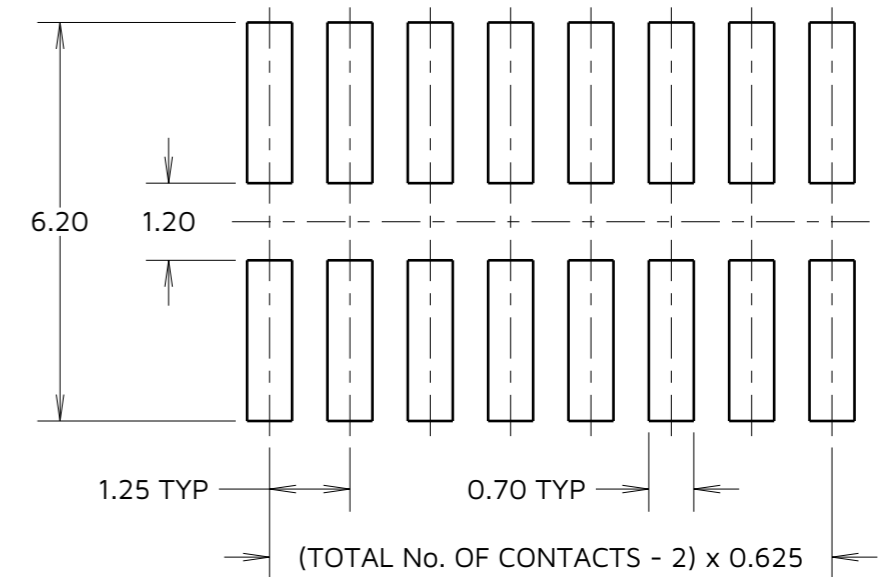
NOT TO SCALE

THIRD ANGLE PROJECTION

ALL DIMENSIONS IN mm



RECOMMENDED PCB LAYOUT  
(ALL TOLERANCES ±0.05mm)



ORDER CODE:  
**G125-FS1XX05LOP**

TOTAL No. OF CONTACTS:

06, 10, 12, 16, 20, 26, 34 & 50.

CONNECTOR DETAILS AND PCB LAYOUT ONLY.  
SEE SHEET 5 FOR TAPE AND STRIP DETAILS.

NOTES:

- FOR COMPLETE SPECIFICATION, SEE COMPONENT SPECIFICATION C125XX (LATEST ISSUE).
- CO-PLANARITY OF SMT TAILS NOT TO EXCEED 0.10mm. RECOMMENDED SOLDER PASTE THICKNESS = 0.125mm MIN.

MGP	5	23.05.23	32485
NAME	ISS.	DATE	CN/CO
APPROVED: MGP			
CHECKED: AB			
DRAWN: S.FLOWER			
ASSEMBLY DRG:			

**HARWIN**

www.harwin.com

TOLERANCES  
X. = ±1mm  
X.X = ±0.50mm  
X.XX = ±0.20mm  
X.XXX = ±0.01mm  
ANGLES = ±5°  
UNLESS STATED

THIS DRAWING AND ANY INFORMATION OR DESCRIPTIVE MATTER SET OUT HEREON ARE CONFIDENTIAL AND COPYRIGHT PROPERTY OF THE HARWIN GROUP AND MUST NOT BE DISCLOSED, LOANED, COPIED OR USED FOR MANUFACTURING, TENDERING OR FOR ANY OTHER PURPOSE WITHOUT THEIR WRITTEN PERMISSION.

MATERIAL:  
  
SEE ABOVE

TITLE:  
**1.25mm GECKO FEMALE VERTICAL SMT CONNECTORS**

DRAWING NUMBER:  
**G125-FS1XX05LOP**

SHT  
5  
OF  
6

# Customer Information Sheet

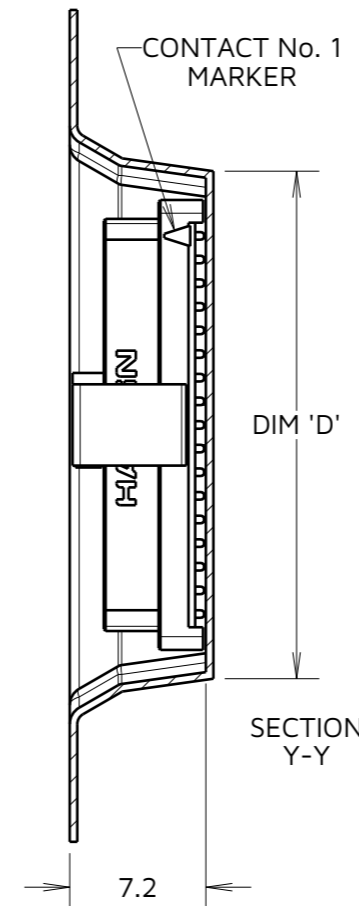
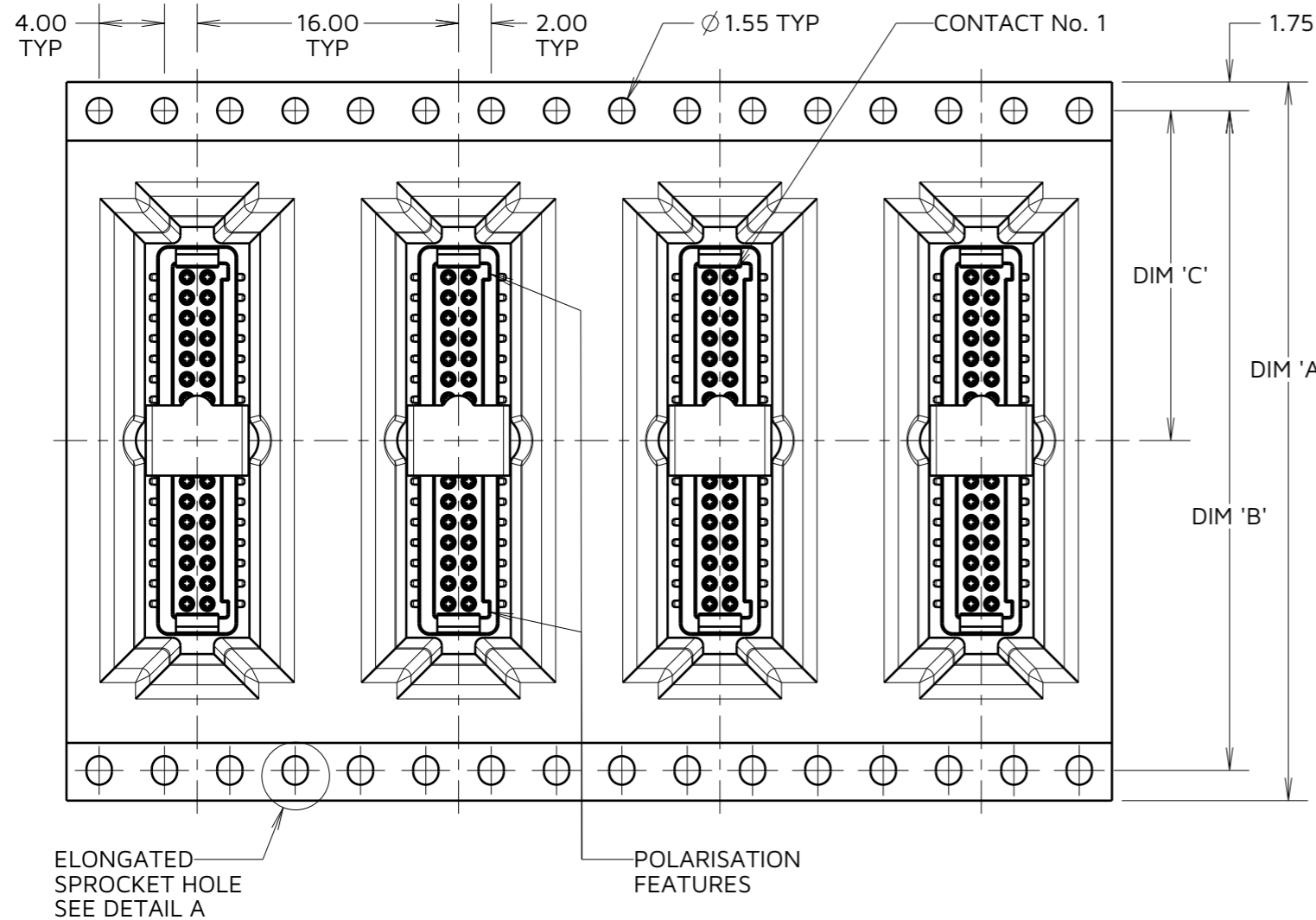
IF IN DOUBT - ASK

©

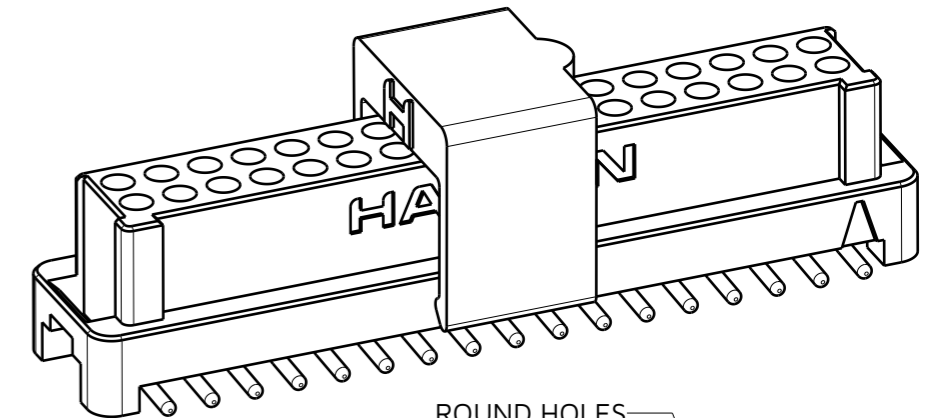
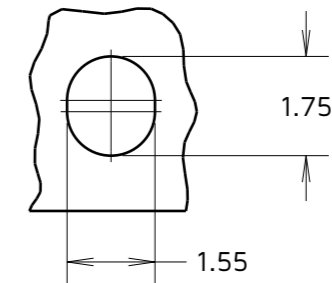
NOT TO SCALE

THIRD ANGLE PROJECTION

ALL DIMENSIONS IN mm



DETAIL A  
SCALE 8



ROUND HOLES  
THIS SIDE

FREE END

FINISHED  
REELING DIRECTION

ORDER CODE:  
G125-FS1XX05LOP

TOTAL No. OF CONTACTS:  
06, 10, 12, 16, 20, 26, 34 & 50.

LOOSE PART No.	DIM 'A'	DIM 'B'	DIM 'C'	DIM 'D'
G125-FVX0605LOP	24.0±0.3	NO ELONGATED HOLE	11.50	(8.6)
G125-FVX1005LOP				(11.1)
G125-FVX1205LOP	32.0±0.3	28.40	14.20	(12.4)
G125-FVX1605LOP				(14.9)
G125-FVX2005LOP	44.0±0.3	40.40	20.2±0.15	(18.1)
G125-FVX2605LOP				(21.9)
G125-FVX3405LOP				(26.9)
G125-FVX5005LOP	56.0±0.3	52.40	26.2±0.15	(36.1)

- NOTES:  
 3. COMPONENTS ARE ORIENTED IN TAPE POCKETS AS SHOWN.  
 4. COMPONENTS ARE SUPPLIED IN STRIPS OF 10.  
 5. LARGE QUANTITIES MAY BE SHIPPED ON A REEL AND MAY NOT HAVE A LEADER.  
 6. FOR PARTS ON REEL SUITABLE FOR AUTOMATIC MACHINE PLACEMENT PLEASE ORDER: G125-FS1XX05LOR.

MGP	5	23.05.23	32485
NAME	ISS.	DATE	CN/CO
APPROVED: MGP			
CHECKED: AB			
DRAWN: S.FLOWER			
ASSEMBLY DRG:			

**HARWIN**

www.harwin.com

TOLERANCES  
 X. = ±1mm  
 X.X = ±0.50mm  
 X.XX = ±0.20mm  
 X.XXX = ±0.01mm  
 ANGLES = ±5°  
 UNLESS STATED

THIS DRAWING AND ANY INFORMATION OR DESCRIPTIVE MATTER SET OUT HEREON ARE CONFIDENTIAL AND COPYRIGHT PROPERTY OF THE HARWIN GROUP AND MUST NOT BE DISCLOSED, LOANED, COPIED OR USED FOR MANUFACTURING, TENDERING OR FOR ANY OTHER PURPOSE WITHOUT THEIR WRITTEN PERMISSION.

MATERIAL:  
  
SEE SHEET 5

TITLE:  
1.25mm GECKO FEMALE VERTICAL SMT CONNECTORS

DRAWING NUMBER:  
G125-FS1XX05LOP

SHT  
6 OF 6