

DEK-OV- 12DC/ 24DC/ 3 - Solid-state relay terminal block



2941387

<https://www.phoenixcontact.com/us/products/2941387>

Please be informed that the data shown in this PDF document is generated from our online catalog. Please find the complete data in the user documentation. Our general terms of use for downloads are valid.



Power solid-state relay terminal block, input: 12 V DC, output: 3 - 30 V DC/3 A, terminal block width: 6.2 mm

Your advantages

- Actuator version available
- EB-DIK insertion bridges
- Labeling and mounting with user-friendly modular terminal blocks
- Wear-free switching of up to 24 V DC/10 A or 240 V AC/800 mA
- Integrated output protective circuit
- Integrated input circuit
- Electrical isolation between input and output at up to 2.5 kVrms
- Status indicator
- Zero voltage switch at AC output

Commercial data

Item number	2941387
Packing unit	10 pc
Minimum order quantity	1 pc
Sales key	C460
Product key	CK61A1
Catalog page	Page 443 (C-5-2019)
GTIN	4017918080402
Weight per piece (including packing)	22 g
Weight per piece (excluding packing)	21.6 g
Customs tariff number	85364190
Country of origin	CN

DEK-OV- 12DC/ 24DC/ 3 - Solid-state relay terminal block



2941387

<https://www.phoenixcontact.com/us/products/2941387>

Technical data

Notes

Note on application	Use of EB 80-DIK... bridges in the DEK terminal blocks: Absorption of humidity from the ambient air as well as an unfavorable tolerance between a larger number of DEK terminal blocks and the EB 80-DIK... bridge may cause (minor) expansion of the DEK housing. When the EB 80-DIK... bridges are used, therefore, it is recommended that these be disconnected after about 10 to 12 DEK terminal blocks and a wire bridge to the next DEK terminal block be inserted in their place.
---------------------	---

Product properties

Product type	Solid-state relay module
Product family	DEK
Application	Output function
Operating mode	100% operating factor

Data management status

Date of last data management	03.05.2024
Article revision	18

Insulation characteristics: Standards/regulations

Insulation	Basic insulation
Overvoltage category	III
Pollution degree	2

Electrical properties

Maximum power dissipation for nominal condition	0.1 W
Test voltage (Input/output)	2.5 kV AC (Input/output)

Input data

Nominal input voltage U_N	12 V DC
Input voltage range in reference to U_N	0.8 ... 1.2
Input voltage range	9.6 V DC ... 14.4 V DC
Switching threshold "0" signal in reference to U_N	≤ 0.4
Switching threshold "1" signal in reference to U_N	≥ 0.8
Typical input current at U_N	8.5 mA
Typical response time	40 μ s
Typical turn-off time	200 μ s
Operating voltage display	Yellow LED
Protective circuit	Reverse polarity protection
Transmission frequency	300 Hz

Output data

Contact switching type	1 N/O contact
Design of digital output	electronic

DEK-OV- 12DC/ 24DC/ 3 - Solid-state relay terminal block



2941387

<https://www.phoenixcontact.com/us/products/2941387>

Output voltage range	3 V DC ... 30 V DC
Limiting continuous current	3 A (see derating curve)
Voltage drop at max. limiting continuous current	≤ 0.2 V
Output circuit	2-conductor, floating
Protective circuit	Reverse polarity protection; Polarity protection diode Surge protection

Connection data

Connection method	Screw connection
Stripping length	8 mm
Screw thread	M3
Conductor cross section rigid	0.2 mm ² ... 2.5 mm ²
Conductor cross section flexible	0.2 mm ² ... 2.5 mm ²
Conductor cross section AWG	24 ... 14
Tightening torque	0.5 Nm

Dimensions

Width	6.2 mm
Height	80 mm
Depth	56 mm

Material specifications

Color	green (RAL 6021)
-------	------------------

Environmental and real-life conditions

Ambient conditions

Ambient temperature (operation)	-20 °C ... 60 °C
Ambient temperature (storage/transport)	-20 °C ... 70 °C

Standards and regulations

Standards/regulations

Standards/regulations	IEC 60947-5-1
-----------------------	---------------

Mounting

Mounting type	DIN rail mounting
Thread type	()
Assembly note	in rows with zero spacing
Mounting position	any

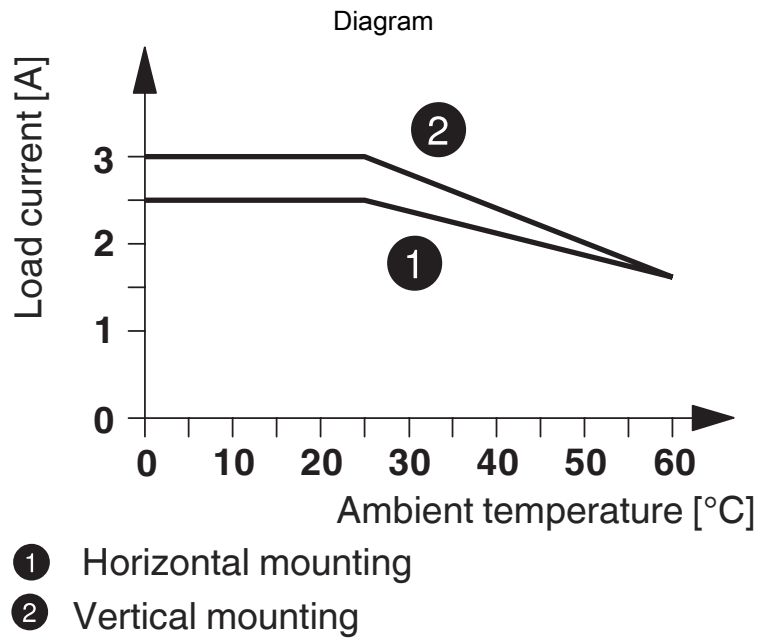
DEK-OV- 12DC/ 24DC/ 3 - Solid-state relay terminal block



2941387

<https://www.phoenixcontact.com/us/products/2941387>

Drawings

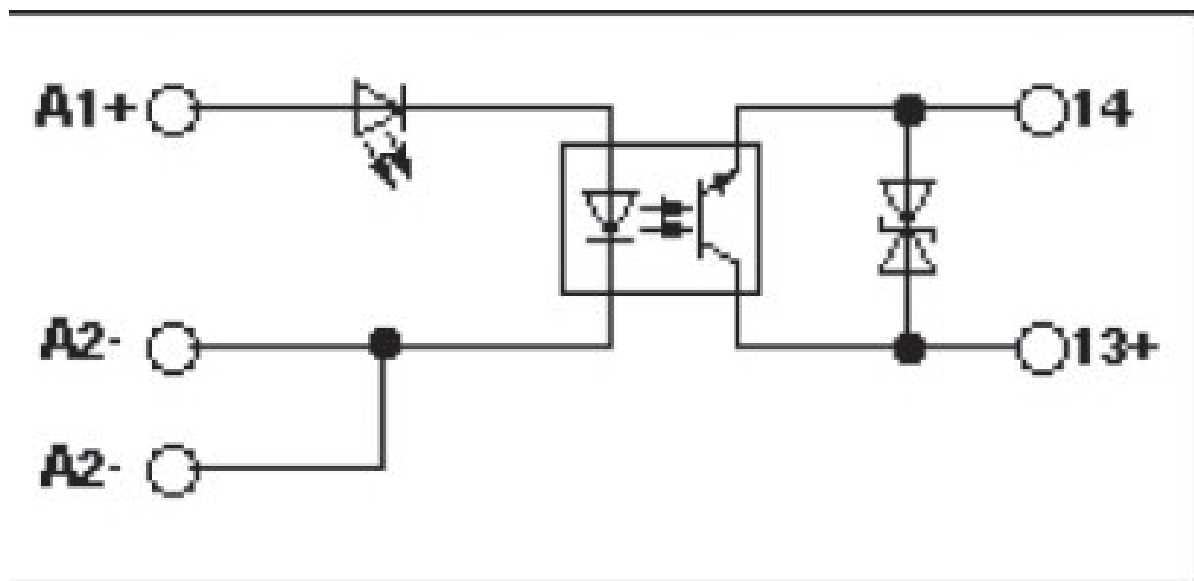


DEK-OV- 12DC/ 24DC/ 3 - Solid-state relay terminal block

2941387

<https://www.phoenixcontact.com/us/products/2941387>

Circuit diagram



DEK-OV- 12DC/ 24DC/ 3 - Solid-state relay terminal block



2941387

<https://www.phoenixcontact.com/us/products/2941387>

Approvals

To download certificates, visit the product detail page: <https://www.phoenixcontact.com/us/products/2941387>



EAC

Approval ID: RU C-DE.A*30.B.01742



cULus Listed

Approval ID: E140324

DEK-OV- 12DC/ 24DC/ 3 - Solid-state relay terminal block



2941387

<https://www.phoenixcontact.com/us/products/2941387>

Classifications

ECLASS

ECLASS-11.0	27371604
ECLASS-12.0	27371604
ECLASS-13.0	27371604

ETIM

ETIM 9.0	EC001504
----------	----------

UNSPSC

UNSPSC 21.0	39122300
-------------	----------

DEK-OV- 12DC/ 24DC/ 3 - Solid-state relay terminal block



2941387

<https://www.phoenixcontact.com/us/products/2941387>

Environmental product compliance

EU RoHS

Fulfills EU RoHS substance requirements	Yes
Exemption	7(a), 7(c)-I

China RoHS

Environment friendly use period (EFUP)	EFUP-50
	An article-related China RoHS declaration table can be found in the download area for the respective article under "Manufacturer declaration". For all articles with EFUP-E, no China RoHS declaration table issued and required.

EU REACH SVHC

REACH candidate substance (CAS No.)	Hexahydromethylphthalic anhydride(CAS: n/a)
	Lead(CAS: 7439-92-1)
SCIP	1e045cb3-46b4-4ae8-ab4a-01798a639304

Phoenix Contact 2024 © - all rights reserved
<https://www.phoenixcontact.com>

Phoenix Contact USA
586 Fulling Mill Road
Middletown, PA 17057, United States
(+717) 944-1300
info@phoenixcon.com