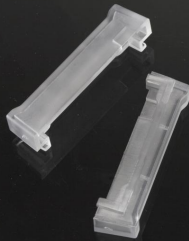
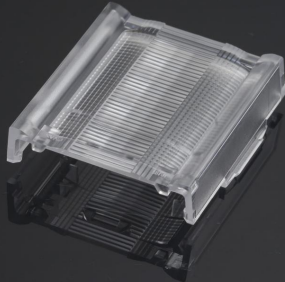


**Product number F15856_LINNEA-END-MS**

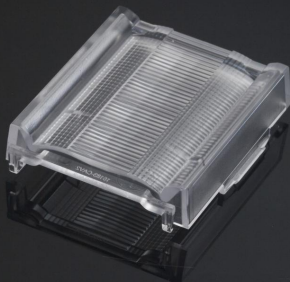
| | | | |
|-----------------|------------------|-------------|-------------------|
| Family | Linnea | FWHM | N/A degrees |
| Type | Accessory | Efficiency | - |
| LED | Dummy | cd/lm | (simulated) 0.000 |
| Color | Clear | Gerber File | Available |
| Diameter | - | | |
| Height | 9.5 mm | | |
| Style | - | | |
| Optic Material | - | | |
| Holder Material | - | | |
| Fastening | "" | | |
| Status | Production ready | | |

**Product number F15857_LINNEA-END-FS**

| | | | |
|-----------------|------------------|-------------|-------------------|
| Family | Linnea | FWHM | N/A degrees |
| Type | Accessory | Efficiency | - |
| LED | Dummy | cd/lm | (simulated) 0.000 |
| Color | Clear | Gerber File | Available |
| Diameter | - | | |
| Height | 9.5 mm | | |
| Style | Rectang | | |
| Optic Material | - | | |
| Holder Material | - | | |
| Fastening | "" | | |
| Status | Production ready | | |

**Product number F16182_LINNEA-90-END-ML**

| | | | |
|-----------------|------------------|-------------|-------------------|
| Family | Linnea | FWHM | NA degrees |
| Type | Accessory | Efficiency | - |
| LED | Dummy | cd/lm | (simulated) 0.000 |
| Color | Clear | Gerber File | Available |
| Diameter | 40 mm | | |
| Height | 9.5 mm | | |
| Style | Rectang | | |
| Optic Material | - | | |
| Holder Material | - | | |
| Fastening | ["clips"] | | |
| Status | Production ready | | |

**Product number F16183_LINNEA-90-END-FL**

| | | | |
|-----------------|------------------|-------------|-------------------|
| Family | Linnea | FWHM | NA degrees |
| Type | Accessory | Efficiency | - |
| LED | Dummy | cd/lm | (simulated) 0.000 |
| Color | Clear | Gerber File | Available |
| Diameter | 40 mm | | |
| Height | 9.5 mm | | |
| Style | Rectang | | |
| Optic Material | - | | |
| Holder Material | - | | |
| Fastening | ["clips"] | | |
| Status | Production ready | | |

**Product number F16218_LINNEA-90-END-B-ML**

| | | | |
|-----------------|------------------|-------------|-------------------|
| Family | Linnea | FWHM | NA degrees |
| Type | Accessory | Efficiency | - |
| LED | Dummy | cd/lm | (simulated) 0.000 |
| Color | Clear | Gerber File | Available |
| Diameter | 40 mm | | |
| Height | 9.5 mm | | |
| Style | Rectang | | |
| Optic Material | - | | |
| Holder Material | - | | |
| Fastening | ["clips"] | | |
| Status | Production ready | | |

**Product number F16219_LINNEA-90-END-B-FL**

| | | | |
|-----------------|------------------|-------------|-------------------|
| Family | Linnea | FWHM | NA degrees |
| Type | Accessory | Efficiency | - |
| LED | Dummy | cd/lm | (simulated) 0.000 |
| Color | Clear | Gerber File | Available |
| Diameter | 40 mm | | |
| Height | 9.5 mm | | |
| Style | Rectang | | |
| Optic Material | - | | |
| Holder Material | - | | |
| Fastening | ["clips"] | | |
| Status | Production ready | | |

**Product number F16314_LINNEA-O-END-ML**

| | | | |
|-----------------|------------------|-------------|-------------------|
| Family | Linnea | FWHM | (simulated) 0 |
| Type | Accessory | Efficiency | - |
| LED | Dummy | cd/lm | (simulated) 0.000 |
| Color | Clear | Gerber File | Available |
| Diameter | 40 mm | | |
| Height | 9.5 mm | | |
| Style | Rectang | | |
| Optic Material | - | | |
| Holder Material | - | | |
| Fastening | ["clips"] | | |
| Status | Production ready | | |

**Product number F16315_LINNEA-O-END-FL**

| | | | |
|-----------------|------------------|-------------|-------------------|
| Family | Linnea | FWHM | (simulated) 0 |
| Type | Accessory | Efficiency | - |
| LED | Dummy | cd/lm | (simulated) 0.000 |
| Color | Clear | Gerber File | Available |
| Diameter | 40 mm | | |
| Height | 9.5 mm | | |
| Style | Rectang | | |
| Optic Material | - | | |
| Holder Material | - | | |
| Fastening | ["clips"] | | |
| Status | Production ready | | |

**Product number F16316_LINNEA-O-END-B-ML**

| | | | |
|-----------------|------------------|-------------|-------------------|
| Family | Linnea | FWHM | (simulated) 0 |
| Type | Accessory | Efficiency | - |
| LED | Dummy | cd/lm | (simulated) 0.000 |
| Color | Clear | Gerber File | Available |
| Diameter | 40 mm | | |
| Height | 9.5 mm | | |
| Style | Rectang | | |
| Optic Material | - | | |
| Holder Material | - | | |
| Fastening | ["clips"] | | |
| Status | Production ready | | |

**Product number F16317_LINNEA-O-END-B-FL**

| | | | |
|-----------------|------------------|-------------|-------------------|
| Family | Linnea | FWHM | (simulated) 0 |
| Type | Accessory | Efficiency | - |
| LED | Dummy | cd/lm | (simulated) 0.000 |
| Color | Clear | Gerber File | Available |
| Diameter | 40 mm | | |
| Height | 9.5 mm | | |
| Style | Rectang | | |
| Optic Material | - | | |
| Holder Material | - | | |
| Fastening | ["clips"] | | |
| Status | Production ready | | |

**Product number F16339_LINNEA-ZT25-END-ML**

| | | | |
|-----------------|------------------|-------------|-------------------|
| Family | Linnea | FWHM | (simulated) 0 |
| Type | Accessory | Efficiency | - |
| LED | Dummy | cd/lm | (simulated) 0.000 |
| Color | Clear | Gerber File | Available |
| Diameter | 40 mm | | |
| Height | 11.5 mm | | |
| Style | Rectang | | |
| Optic Material | - | | |
| Holder Material | - | | |
| Fastening | ["clips"] | | |
| Status | Production ready | | |

**Product number F16340_LINNEA-ZT25-END-FL**

| | | | |
|-----------------|------------------|-------------|-------------------|
| Family | Linnea | FWHM | (simulated) 0 |
| Type | Accessory | Efficiency | - |
| LED | Dummy | cd/lm | (simulated) 0.000 |
| Color | Clear | Gerber File | Available |
| Diameter | 40 mm | | |
| Height | 11.5 mm | | |
| Style | Rectang | | |
| Optic Material | - | | |
| Holder Material | - | | |
| Fastening | ["clips"] | | |
| Status | Production ready | | |

**Product number F16341_LINNEA-ZT25-END-B-ML**

| | | | |
|-----------------|------------------|-------------|-------------------|
| Family | Linnea | FWHM | (simulated) 0 |
| Type | Accessory | Efficiency | - |
| LED | Dummy | cd/lm | (simulated) 0.000 |
| Color | Clear | Gerber File | Available |
| Diameter | 40 mm | | |
| Height | 11.5 mm | | |
| Style | Rectang | | |
| Optic Material | - | | |
| Holder Material | - | | |
| Fastening | ["clips"] | | |
| Status | Production ready | | |

**Product number F16342_LINNEA-ZT25-END-B-FL**

| | | | |
|-----------------|------------------|-------------|-------------------|
| Family | Linnea | FWHM | (simulated) 0 |
| Type | Accessory | Efficiency | - |
| LED | Dummy | cd/lm | (simulated) 0.000 |
| Color | Clear | Gerber File | Available |
| Diameter | 40 mm | | |
| Height | 11.5 mm | | |
| Style | Rectang | | |
| Optic Material | - | | |
| Holder Material | - | | |
| Fastening | ["clips"] | | |
| Status | Production ready | | |

**Product number F16379_LINNEA-Z2T25-END-ML**

| | | | |
|-----------------|------------------|-------------|-------------------|
| Family | Linnea | FWHM | (simulated) 0 |
| Type | Accessory | Efficiency | - |
| LED | Dummy | cd/lm | (simulated) 0.000 |
| Color | Clear | Gerber File | Available |
| Diameter | 40 mm | | |
| Height | 10.4 mm | | |
| Style | Rectang | | |
| Optic Material | - | | |
| Holder Material | - | | |
| Fastening | ["clips"] | | |
| Status | Production ready | | |

**Product number F16380_LINNEA-Z2T25-END-FL**

| | | | |
|-----------------|------------------|-------------|-------------------|
| Family | Linnea | FWHM | (simulated) 0 |
| Type | Accessory | Efficiency | - |
| LED | Dummy | cd/lm | (simulated) 0.000 |
| Color | Clear | Gerber File | Available |
| Diameter | 40 mm | | |
| Height | 10.4 mm | | |
| Style | Rectang | | |
| Optic Material | - | | |
| Holder Material | - | | |
| Fastening | ["clips"] | | |
| Status | Production ready | | |

**Product number F16381_LINNEA-Z2T25-END-B-ML**

| | | | |
|-----------------|------------------|-------------|-------------------|
| Family | Linnea | FWHM | (simulated) 0 |
| Type | Accessory | Efficiency | - |
| LED | Dummy | cd/lm | (simulated) 0.000 |
| Color | Clear | Gerber File | Available |
| Diameter | 40 mm | | |
| Height | 10.4 mm | | |
| Style | Rectang | | |
| Optic Material | - | | |
| Holder Material | - | | |
| Fastening | ["clips"] | | |
| Status | Production ready | | |

**Product number F16382_LINNEA-Z2T25-END-B-FL**

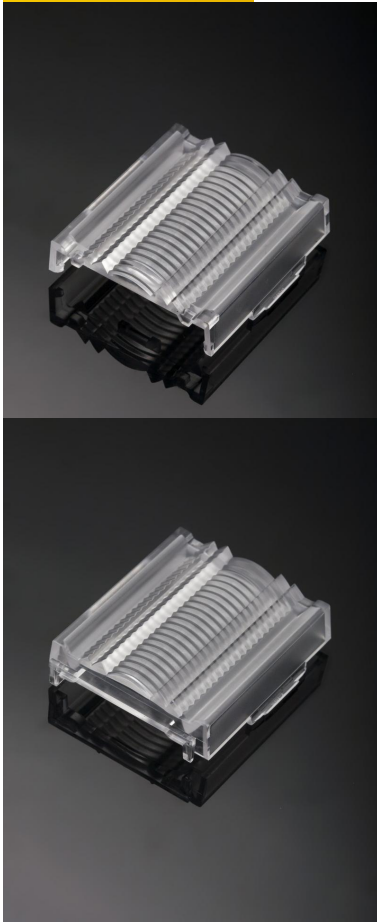
| | | | |
|-----------------|------------------|-------------|-------------------|
| Family | Linnea | FWHM | (simulated) 0 |
| Type | Accessory | Efficiency | - |
| LED | Dummy | cd/lm | (simulated) 0.000 |
| Color | Clear | Gerber File | Available |
| Diameter | 40 mm | | |
| Height | 10.4 mm | | |
| Style | Rectang | | |
| Optic Material | - | | |
| Holder Material | - | | |
| Fastening | ["clips"] | | |
| Status | Production ready | | |

**Product number F16451_LINNEA-60-END-ML**

| | | | |
|-----------------|------------------|-------------|-------------------|
| Family | Linnea | FWHM | (simulated) 0 |
| Type | Accessory | Efficiency | - |
| LED | Dummy | cd/lm | (simulated) 0.000 |
| Color | Clear | Gerber File | Available |
| Diameter | 40 mm | | |
| Height | 9.5 mm | | |
| Style | Rectang | | |
| Optic Material | - | | |
| Holder Material | - | | |
| Fastening | ["clips"] | | |
| Status | Production ready | | |

**Product number F16452_LINNEA-60-END-FL**

| | | | |
|-----------------|------------------|-------------|-------------------|
| Family | Linnea | FWHM | (simulated) 0 |
| Type | Accessory | Efficiency | - |
| LED | Dummy | cd/lm | (simulated) 0.000 |
| Color | Clear | Gerber File | Available |
| Diameter | 40 mm | | |
| Height | 9.5 mm | | |
| Style | Rectang | | |
| Optic Material | - | | |
| Holder Material | - | | |
| Fastening | ["clips"] | | |
| Status | Production ready | | |

**Product number F16453_LINNEA-60-END-B-ML**

| | | | |
|-----------------|------------------|-------------|-------------------|
| Family | Linnea | FWHM | (simulated) 0 |
| Type | Accessory | Efficiency | - |
| LED | Dummy | cd/lm | (simulated) 0.000 |
| Color | Clear | Gerber File | Available |
| Diameter | 40 mm | | |
| Height | 9.5 mm | | |
| Style | Rectang | | |
| Optic Material | - | | |
| Holder Material | - | | |
| Fastening | ["clips"] | | |
| Status | Production ready | | |

Product number F16454_LINNEA-60-END-B-FL

| | | | |
|-----------------|------------------|-------------|-------------------|
| Family | Linnea | FWHM | (simulated) 0 |
| Type | Accessory | Efficiency | - |
| LED | Dummy | cd/lm | (simulated) 0.000 |
| Color | Clear | Gerber File | Available |
| Diameter | 40 mm | | |
| Height | 9.5 mm | | |
| Style | Rectang | | |
| Optic Material | - | | |
| Holder Material | - | | |
| Fastening | ["clips"] | | |
| Status | Production ready | | |

NOTE: The typical divergence will be changed by different color, chip size and chip position tolerance. The typical total divergence is the full angle measured where the luminous intensity is half of the peak value.

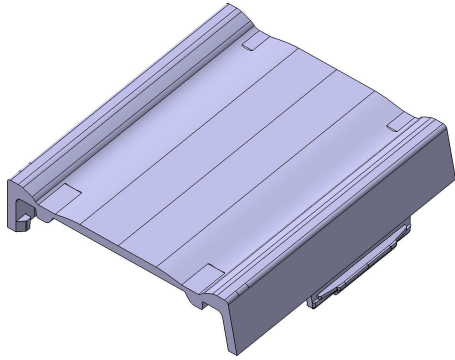
H

G

F

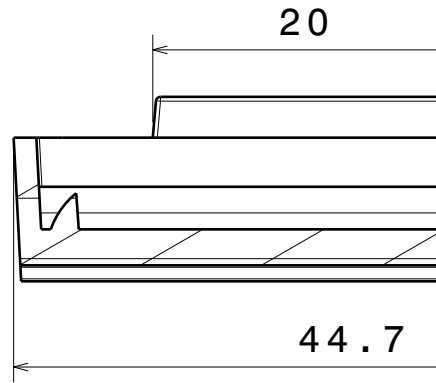
E

Isometric view
Scale: 1:1



4

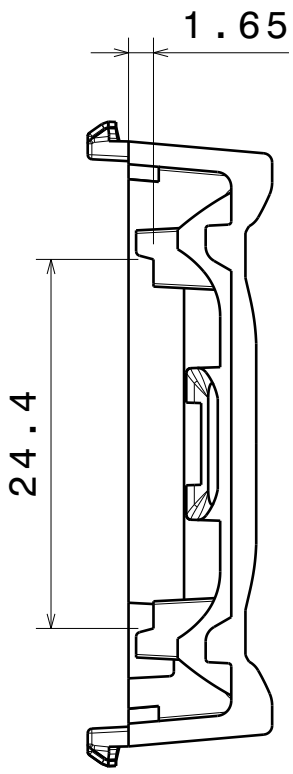
20



44.7

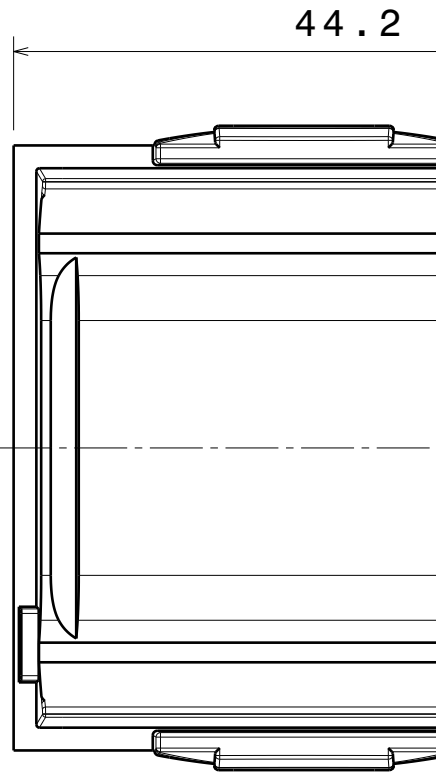
3

1.65



24.4

44.2



B

2

1

Notes



| | |
|---|---|
| ● | PCB or heatsink level. |
| ● | LED location. |
| | Ensure LED fitting from a product specific 3D model available from www.ledil.com . |
| | See installation details in page 2. |

H

G

H

G

F

E

MIN 9

67.8

282

21

131

4

3

3

34

17

3

43.8

21

179

2

LINNEA-END SHEETMETAL 2FT

1

LINNEA-END-FL

Isometric view
Scale: 1:4

H

G