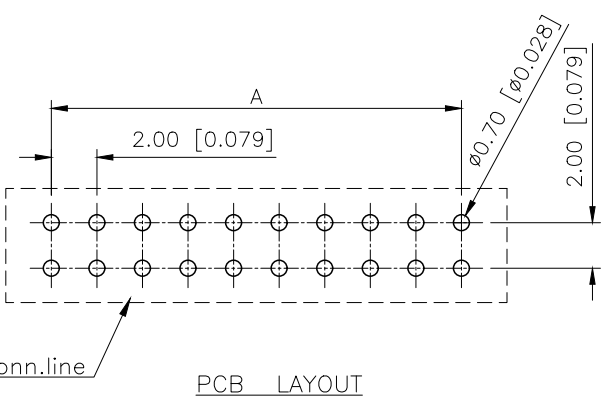
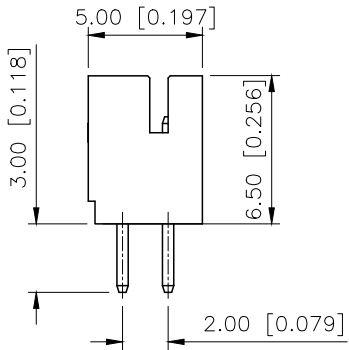
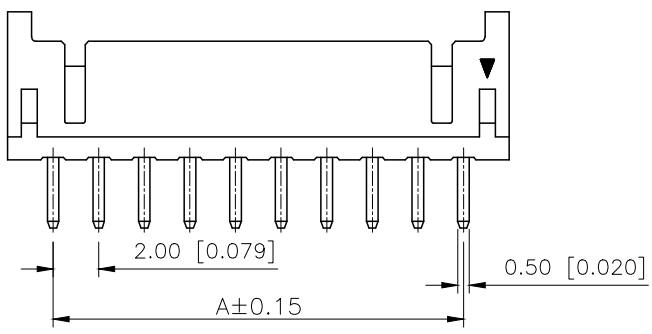
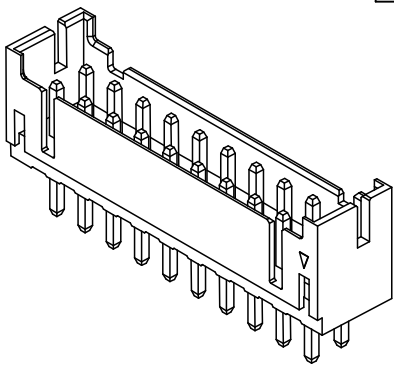
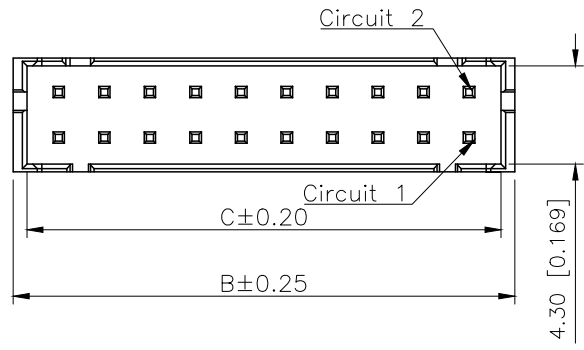


REVISIONS					
REV.	ECN NO.	LOCATION	DESCRIPTION	DATE	DESIGN
A0	N/A		INITIAL RELEASE	/	/
A1	N/A		图面升级整理图面	2024.9.26	阿树



- SPECIFICATIONS
- Voltage rating:250V AC/DC
  - Current rating:3A AC/DC
  - Withstanding Voltage:800V AC/minute
  - Temperature range:-40°C~+125°C
  - Insulation resistance: $\geq 1000M\Omega$
  - Contact resistance: $\leq 10m\Omega$
  - After environmental testing: $\leq 20m\Omega$

PART NO.:

X2026 W V-2xXX-N0 XX XX  
 ① ② ③ ④ ⑤ ⑥ ⑦

- ①Series No
- ②Category:W-Wafer
- ③Welding Board Angle:V-Stright 180°
- ④Row No.Pin No:2xXX-2x02~2x22Pin
- ⑤Material:N0-PA66 UL94V-0
- ⑥Planting: SN-Bright tin plating  
V01-All Gold Flash
- ⑦Color:Blank-Natural Color

poles	Dimensions(mm)			poles	Dimensions(mm)			Poles	Dimensions(mm)		
	A	B	C		A	B	C		A	B	C
2x02	2.00	6.00	4.80	2x09	16.00	20.00	18.80	2x16	30.00	34.00	32.80
2x03	4.00	8.00	6.80	2x10	18.00	22.00	20.80	2x17	32.00	36.00	34.80
2x04	6.00	10.00	8.80	2x11	20.00	24.00	22.80	2x18	34.00	38.00	36.80
2x05	8.00	12.00	10.80	2x12	22.00	26.00	24.80	2x19	36.00	40.00	38.80
2x06	10.00	14.00	12.80	2x13	24.00	28.00	26.80	2x20	38.00	42.00	40.80
2x07	12.00	16.00	14.80	2x14	26.00	30.00	28.80	2x21	40.00	44.00	42.80
2x08	14.00	18.00	16.80	2x15	28.00	32.00	30.80	2x22	42.00	46.00	44.80

X2026WV-2xXXHF-NOSNBK	PA66 UL 94V-0 Black(Halogen Free)	Brass	Tin-Plated	X2026H
X2026WV-2xXX-N0SNWH	PA66 UL 94V-0 White			
X2026WV-2xXX-N0V01	PA66 UL 94V-0			
X2026WV-2xXX-N0SN	PA66 UL 94V-0			
X2026WV-2xXX-46V01	PA46			
PART NO	Material	Material(pin)	Finish(pin)	Suitable XKB Housing

AuGLAR	$\pm 5^\circ$
X.	$\pm 0.40$
X.x	$\pm 0.30$
X.xx	$\pm 0.20$
X.xxx	$\pm 0.15$
UNSPECIFIED TOLERANCES	



DESIGN	阿树
CHECKED	
APPROVED	

VIEW:	
UNIT:	mm/in
SIZE:	A4

MODEL TYPE:	2.00mm Crimp Style Connector
PART NO.:	X2026WV-2xXX-N0SN
DWG NO.:	

XKB INDUSTRIAL PRECISION CO.,LIMITED

SCALE	PAGE	REVISION
N/A	1/1	A1