

1MM-R-D10-VS-00-H-TBP ✓ ACTIVE

AMPMODU | [AMPMODU Small Centerline](#)

TE Internal #: 1-2267440-0

PCB Mount Receptacle, Vertical, Board-to-Board, 20 Position, 1 mm [.039 in] Centerline, Gold, Surface Mount, Signal, Black, AMPMODU Small Centerline

[View on TE.com >](#)



Connectors > PCB Connectors > PCB Headers & Receptacles



PCB Connector Assembly Type: **PCB Mount Receptacle**

PCB Mount Orientation: **Vertical**

Connector System: **Board-to-Board**

Number of Positions: **20**

Number of Rows: **2**

Features

Product Type Features

Applied Pressure	Low
PCB Connector Assembly Type	PCB Mount Receptacle
Connector System	Board-to-Board
Connector & Contact Terminates To	Printed Circuit Board

Configuration Features

Number of Loaded Positions	20
Stackable	No
Connector Contact Load Condition	Fully Loaded
Number of Signal Positions	20
PCB Mount Orientation	Vertical
Number of Positions	20
Number of Rows	2
Board-to-Board Configuration	Parallel

Electrical Characteristics



Termination Resistance	16 mΩ
Dielectric Withstanding Voltage (Max)	1000 VAC
Operating Voltage	30 VAC

Body Features

Assembly Process Feature Material	Stainless Steel
Primary Product Color	Black

Contact Features

Contact Mating Area Length	2 mm
Contact Protection Type	Closed Entry Housing
Mating Square Post Dimension	.3 mm[.011 in]
PCB Contact Termination Area Plating Material Thickness	3.81 μm[150 μin]
Contact Layout	Inline
Contact Underplating Material Thickness	1.27 μm[50 μin]
PCB Contact Termination Area Plating Material Finish	Matte
Contact Shape & Form	Rectangular, SMT Lead
Contact Mating Area Plating Material Finish	Bright
Contact Underplating Material	Nickel
PCB Contact Termination Area Plating Material	Tin
Contact Base Material	Phosphor Bronze
Contact Mating Area Plating Material	Gold
Contact Mating Area Plating Material Thickness	.00076 μm[30 μin]
Contact Type	Socket
Contact Current Rating (Max)	1 A

Termination Features

Rectangular Termination Post & Tail Thickness	.1 mm[.003 in]
Rectangular Termination Post & Tail Width	.24 mm[.009 in]
Termination Method to PCB	Surface Mount

Mechanical Attachment

Mating Retention	Without
Connector Mounting Type	Board Mount

Housing Features

Mating Entry Location	Bottom & Top
-----------------------	--------------



Centerline (Pitch)	1 mm [.039 in]
--------------------	----------------

Housing Material	LCP
------------------	-----

Dimensions

Connector Length	10.6 mm
------------------	---------

Connector Height	3.12 mm
------------------	---------

Row-to-Row Spacing	1 mm
--------------------	------

PCB Thickness (Recommended)	.8 – 1.6 mm [.031 – .063 in]
-----------------------------	------------------------------

Usage Conditions

Housing Temperature Rating	High
----------------------------	------

Operating Temperature Range	-55 – 125 °C [-67 – 257 °F]
-----------------------------	-----------------------------

Operation/Application

Assembly Process Feature	Pick and Place Cover
--------------------------	----------------------

Circuit Application	Signal
---------------------	--------

Industry Standards

UL Flammability Rating	UL 94V-0
------------------------	----------

Packaging Features

Packaging Method	Tube
------------------	------

Product Compliance

[For compliance documentation, visit the product page on TE.com>](#)

EU RoHS Directive 2011/65/EU	Compliant
------------------------------	-----------

EU ELV Directive 2000/53/EC	Compliant
-----------------------------	-----------

China RoHS 2 Directive MIIT Order No 32, 2016	No Restricted Materials Above Threshold
---	---

EU REACH Regulation (EC) No. 1907/2006	Current ECHA Candidate List: JUNE 2024 (241) Candidate List Declared Against: JUNE 2024 (241) Does not contain REACH SVHC
--	---

Halogen Content	Low Halogen - Br, Cl, F, I < 900 ppm per homogenous material. Also BFR/CFR/PVC Free
-----------------	---

Solder Process Capability	Not reviewed for solder process capability
---------------------------	--

Product Compliance Disclaimer

This information is provided based on reasonable inquiry of our suppliers and represents our current actual knowledge based on the information they provided. This information is subject to change. The part numbers that TE has identified as EU RoHS compliant have a maximum concentration of 0.1% by weight in homogenous materials for lead, hexavalent chromium, mercury, PBB, PBDE, DBP, BBP, DEHP, DIBP, and 0.01% for cadmium, or qualify for an exemption to these limits as defined in the Annexes of Directive 2011/65/EU (RoHS2). Finished electrical and electronic equipment products will be CE marked as required by Directive 2011/65/EU. Components may not be CE marked. Additionally, the part numbers that TE has identified as EU ELV compliant have a maximum concentration of 0.1% by weight in homogenous materials for lead, hexavalent chromium, and mercury, and 0.01% for cadmium, or qualify for an exemption to these limits as defined in the Annexes of Directive 2000/53/EC (ELV). Regarding the REACH Regulation, the information TE provides on SVHC in articles for this part number is based on the latest European Chemicals Agency (ECHA) 'Guidance on requirements for substances in articles' posted at this URL: <https://echa.europa.eu/guidance-documents/guidance-on-reach>

Compatible Parts

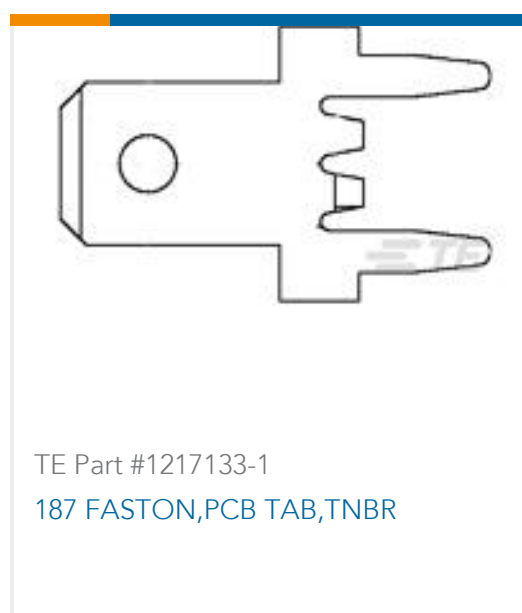


Also in the Series | AMPMODU Small Centerline



Customers Also Bought





Documents

Product Drawings

[SCL 1.0 RCPT DR VT 020 SMT G3 TBK](#)

English

CAD Files

[3D PDF](#)

3D

Customer View Model

[ENG_CVM_CVM_1-2267440-0_10.2d_dxf.zip](#)

English

Customer View Model

[ENG_CVM_CVM_1-2267440-0_10.3d_igs.zip](#)

English

Customer View Model

[ENG_CVM_CVM_1-2267440-0_10.3d_stp.zip](#)

English

By downloading the CAD file I accept and agree to the [Terms and Conditions](#) of use.

Datasheets & Catalog Pages

[AMPMODU 1.0 mm CENTERLINE INTERCONNECTION SYSTEMS](#)

English

[Datasheet - AMPMODU Small Centerline](#)

English

Product Specifications

[Application Specification](#)

English

Agency Approvals

[UL Report](#)

English