

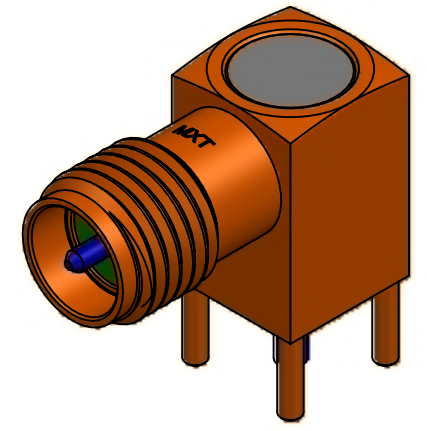
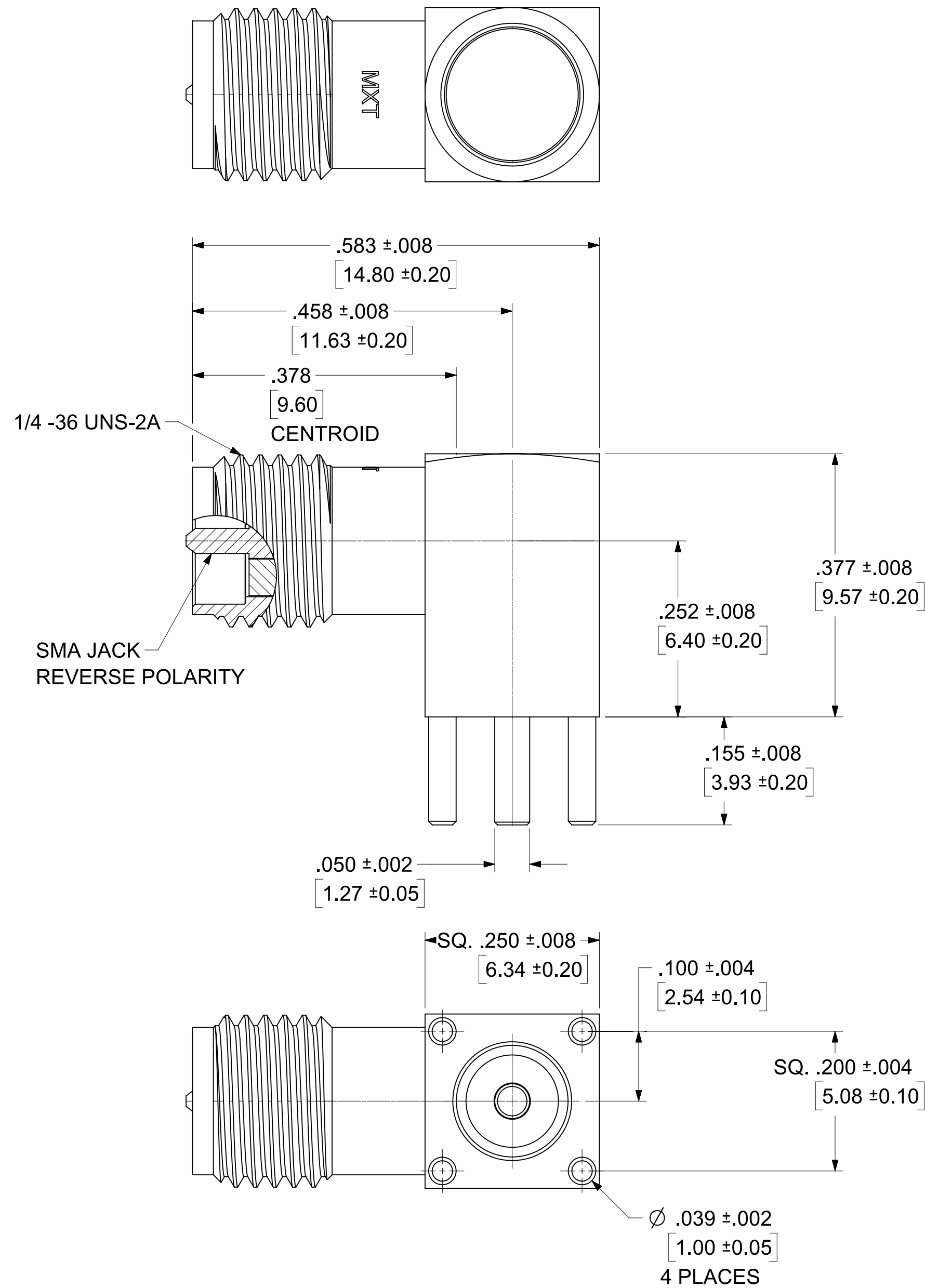
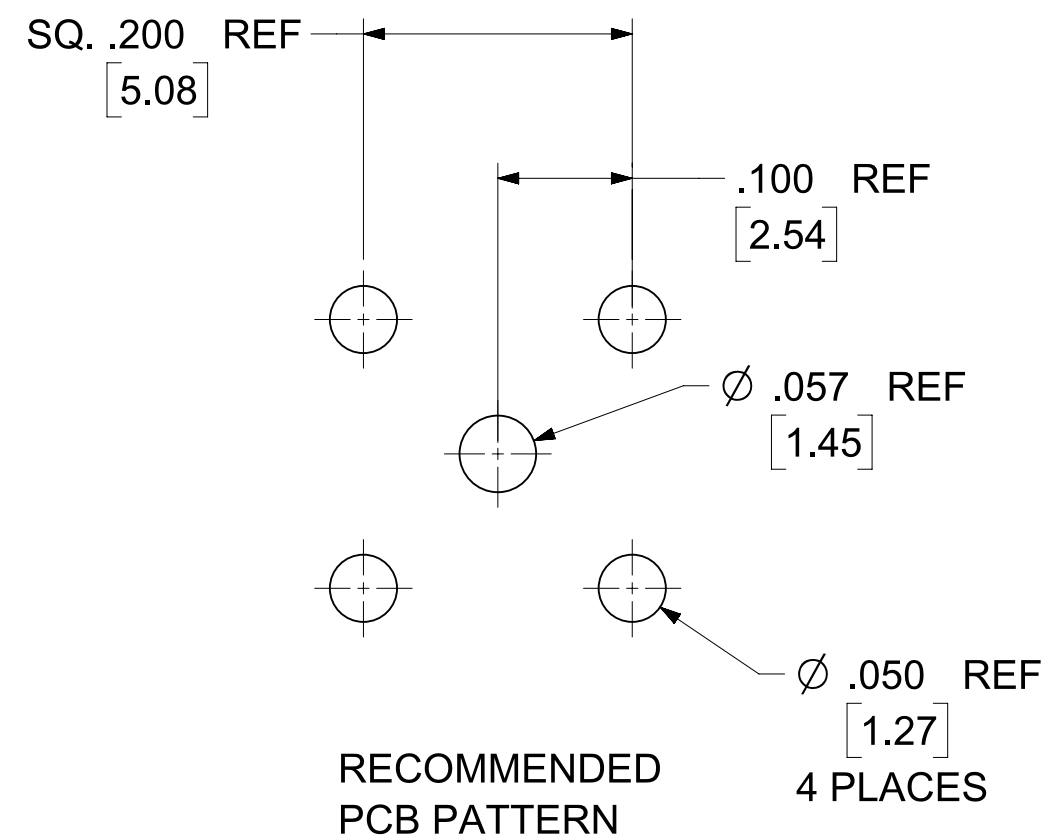
MATERIALS AND FINISHES:

BODY: ZINC ALLOY
PLATED SEE TABLE

CONTACT: BRASS
PLATED SEE TABLE

INSULATOR: TEFLON

CAP: BRASS
PLATED SEE TABLE



73391-0323	GOLD 1u" ~ 3u"	GOLD 10u" ~ 30u"	TRAY (80), REFER TO 89542-0044
73391-0322	GOLD FLASH	GOLD 1u" ~ 3u"	TRAY (80), REFER TO 89542-0040
73391-0321	NICKEL 100u" ~ 150u"	GOLD 1u" ~ 3u"	TRAY (80), REFER TO 89542-0320
73391-0320	GOLD 1u" ~ 3u"	GOLD 10u" ~ 30u"	TRAY (80), REFER TO 89542-0320
PART NO.	BODY & CAP	CONTACT	PACKAGING

PS-89675-346	PRODUCT SPECIFICATION
SPECIFICATION	DESCRIPTION

FUNCTIONAL SYMBOLS $\nabla_A = 0$ $\nabla_E = 0$ $\nabla_P = 0$ DIVISIONAL SYMBOLS 3 PLACES ± 2 PLACES ± 1 PLACE ± 0 PLACES ±	THIS DRAWING CONTAINS INFORMATION THAT IS PROPRIETARY TO MOLEX ELECTRONIC TECHNOLOGIES, LLC AND SHOULD NOT BE USED WITHOUT WRITTEN PERMISSION		CURRENT REV DESC: UPDATED SPEC TO 89675-346 PER EWR15847-A	
	DIMENSION UNITS	SCALE	STATUS: Design Approved	
	INCH/MM	NTS	DRWN: Cela Wei	2023-08-30
	GENERAL TOLERANCES (UNLESS SPECIFIED)		CHK'D: Tiffany Chen	2023-09-28
ANGULAR TOL ± 2°		APPR: Darry Cheng	2023-10-02	
4 PLACES ±		THIRD ANGLE PROJECTION	DRAWING	
3 PLACES ±		DRAFT WHERE APPLICABLE MUST REMAIN WITHIN DIMENSIONS	C-SIZE	
2 PLACES ±			SERIES	
1 PLACE ±			73391	
0 PLACES ±			MATERIAL NUMBER	
			SEE TABLE	
			CUSTOMER	
			GENERAL MARKET	
			SHEET NUMBER	
			1 OF 1	

molex

SMA JACK RA
REVERSE POLAR PCB TH SMA-J/RA/PCB EWR-4968

PRODUCT SALES DRAWING

DOCUMENT NUMBER DOC TYPE DOC PART REVISION

SD-73391-032 PSD 001 A12

SEE TABLE GENERAL MARKET 1 OF 1