

PLC-RSC-120UC/ 1/SEN - Relay module



2966249

<https://www.phoenixcontact.com/us/products/2966249>

Please be informed that the data shown in this PDF document is generated from our online catalog. Please find the complete data in the user documentation. Our general terms of use for downloads are valid.



PLC-INTERFACE for input functions, consisting of PLC-BSC.../SEN basic terminal block with screw connection and plug-in miniature relay with power contact, for mounting on DIN rail NS 35/7,5, 1 N/O contact, input voltage 120 V AC/110 DC

Commercial data

| | |
|--------------------------------------|---------------|
| Item number | 2966249 |
| Packing unit | 10 pc |
| Minimum order quantity | 10 pc |
| Sales key | C461 |
| Product key | CK6226 |
| GTIN | 4017918130954 |
| Weight per piece (including packing) | 39.43 g |
| Weight per piece (excluding packing) | 39.43 g |
| Customs tariff number | 85364900 |
| Country of origin | DE |

Technical data

Product properties

| | |
|-------------------------|---------------------------|
| Product type | Relay Module |
| Product family | PLC-INTERFACE |
| Application | Input function |
| Operating mode | 100% operating factor |
| Mechanical service life | 2x 10 ⁷ cycles |

Data management status

| | |
|------------------------------|------------|
| Date of last data management | 01.08.2024 |
| Article revision | 12 |

Electrical properties

| | |
|---|--|
| Maximum power dissipation for nominal condition | 0.42 W |
| Test voltage (Winding/contact) | 4 kV AC (50 Hz, 1 min., winding/contact) |

Insulation characteristics: Coil/contact

| | |
|---------------------------------|-------|
| Rated insulation voltage | 250 V |
| Rated impulse withstand voltage | 6 kV |
| Overvoltage category | III |
| Degree of pollution | 3 |

Input data

Coil side

| | |
|--|--------------------------------------|
| Nominal input voltage U _N | 120 V AC |
| | 110 V DC |
| Input voltage range | 93.6 V AC/DC ... 168 V AC/DC (20 °C) |
| Nominal voltage (plugged-in electromechanical relay) | 60 V DC |
| Drive and function | monostable |
| Drive (polarity) | polarized |
| Typical input current at U _N | 3.5 mA |
| Typical response time | 6 ms |
| Typical release time | 15 ms |
| Protective circuit | Bridge rectifier |
| Operating voltage display | yes |

Output data

Switching

| | |
|---------------------------|---|
| Contact switching type | 1 N/O contact |
| Type of switch contact | Single contact |
| Contact material | AgSnO |
| Maximum switching voltage | 250 V AC/DC (The separating plate PLC-ATP should be installed for voltages larger than 250 V (L1, L2, L3) between identical |

PLC-RSC-120UC/ 1/SEN - Relay module



2966249

<https://www.phoenixcontact.com/us/products/2966249>

| | |
|---------------------------------------|---|
| | terminal blocks in adjacent modules. Potential bridging is then carried out with FBST 8-PLC... or ...FBST 500...) |
| Minimum switching voltage | 12 V AC/DC |
| Limiting continuous current | 6 A |
| Maximum inrush current | on request |
| Min. switching current | 10 mA |
| Short-circuit current | 200 A (conditional short-circuit current) |
| Interrupting rating (ohmic load) max. | 140 W (at 24 V DC) |
| | 20 W (at 48 V DC) |
| | 18 W (at 60 V DC) |
| | 23 W (at 110 V DC) |
| | 40 W (at 220 V DC) |
| | 1500 VA (for 250 V AC) |
| Output fuse | 4 A gL/gG NEOZED |

Connection data

| | |
|----------------------------------|---|
| Connection method | Screw connection |
| Stripping length | 8 mm |
| Screw thread | M3 |
| Conductor cross section rigid | 0.14 mm ² ... 2.5 mm ² |
| Conductor cross section flexible | 0.14 mm ² ... 2.5 mm ² |
| | 0.2 mm ² ... 2.5 mm ² (Single ferrule) |
| | 2x 0.5 mm ² ... 1.5 mm ² (TWIN ferrule) |
| Conductor cross section AWG | 26 ... 14 |
| Tightening torque | 0.6 Nm ... 0.8 Nm |

Dimensions

| | |
|--------|--------|
| Width | 6.2 mm |
| Height | 80 mm |
| Depth | 94 mm |

Material specifications

| | |
|--|-----------------|
| Color | gray (RAL 7042) |
| Flammability rating according to UL 94 | V0 (Housing) |

Environmental and real-life conditions

Ambient conditions

| | |
|---|-------------------|
| Degree of protection (Relay base) | IP20 (Relay base) |
| Ambient temperature (operation) | -25 °C ... 55 °C |
| Ambient temperature (storage/transport) | -40 °C ... 85 °C |

Approvals

CE

| | |
|-------------|--------------|
| Certificate | CE-compliant |
|-------------|--------------|

PLC-RSC-120UC/ 1/SEN - Relay module



2966249

<https://www.phoenixcontact.com/us/products/2966249>

UKCA

| | |
|-------------|----------------|
| Certificate | UKCA-compliant |
|-------------|----------------|

Shipbuilding approval

| | |
|-------------|------------|
| Certificate | TAE0000196 |
|-------------|------------|

Corrosive gas test

| | |
|----------------|----------------------------|
| Identification | ISA-S71.04. G3 Harsh Group |
| | EN 60068-2-60 |

DNV GL data

| | |
|-------------|---|
| Temperature | D |
| Humidity | A |
| Vibration | B/C |
| EMC | B |
| Enclosure | Required protection according to the Rules shall be provided upon installation on board |

EMC data

| | |
|-------------------------------|--|
| Low Voltage Directive | Conformance with Low Voltage Directive |
| Electromagnetic compatibility | Conformance with EMC directive |

Standards and regulations

Standards/regulations

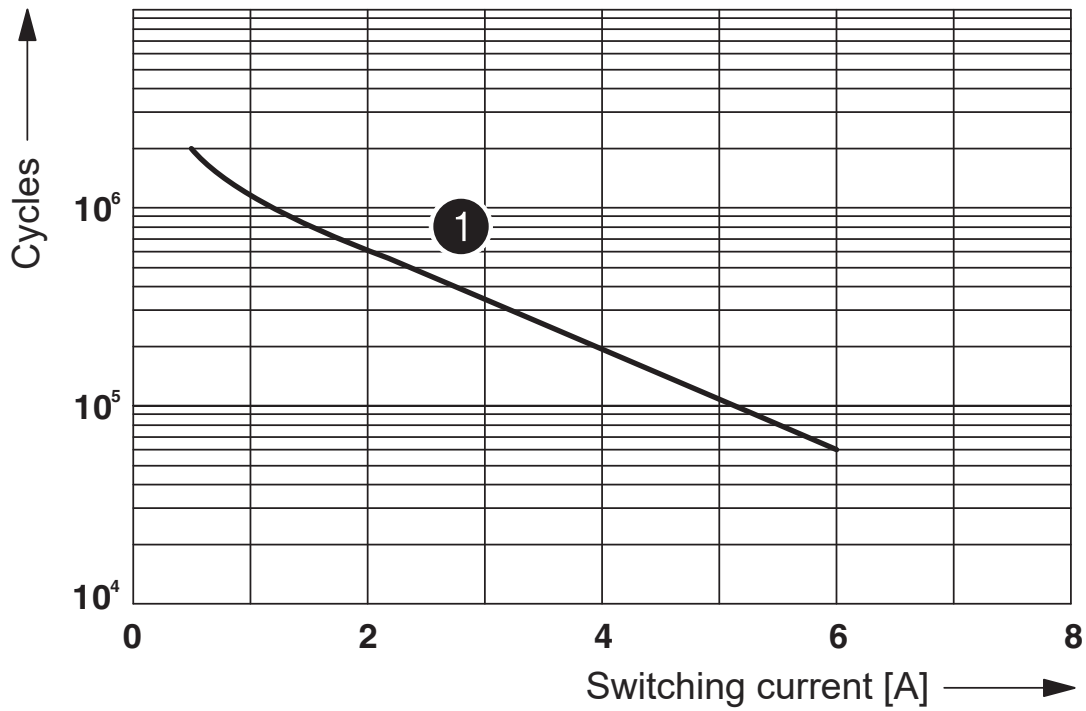
| | |
|-----------------------|--|
| Standards/regulations | IEC 60664 |
| | IEC 60664A |
| | DIN VDE 0110 |
| | IEC 60255/DIN VDE 0435 (in relevant parts) |

Mounting

| | |
|-------------------|---------------------------|
| Mounting type | DIN rail mounting |
| Thread type | () |
| Assembly note | in rows with zero spacing |
| Mounting position | any |

Drawings

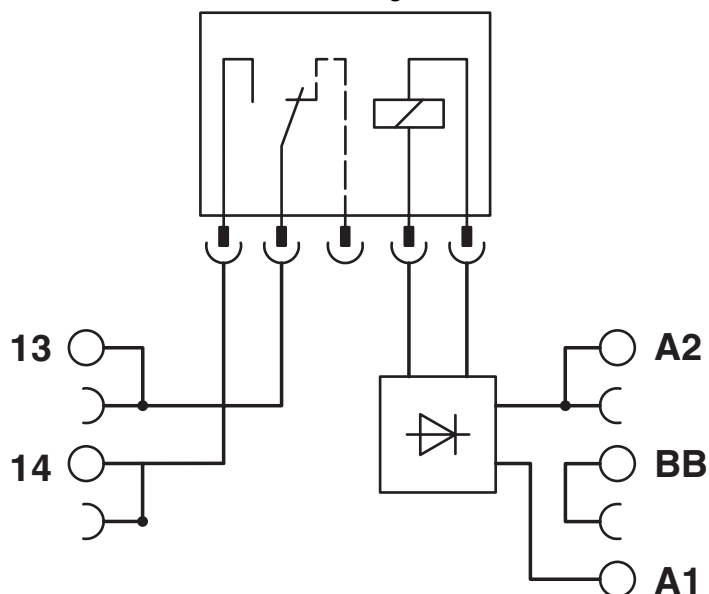
Diagram



① 250 V AC, ohmic load

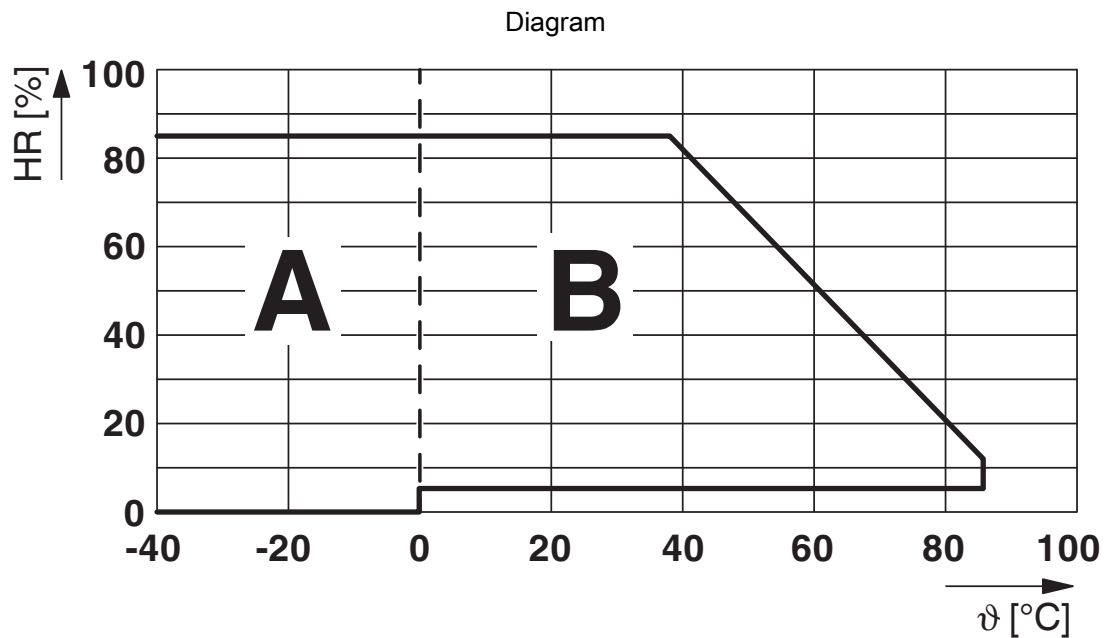
Electrical service life

Circuit diagram



2966249

<https://www.phoenixcontact.com/us/products/2966249>



Permissible humidity for operation and storage.

The maximum permissible ambient temperature as specified in the data sheet must be observed.

Area A: Ice buildup at ambient temperatures $\leq 0^\circ\text{C}$ must be prevented

Area B: Condensation at ambient temperatures $> 0^\circ\text{C}$ must be prevented

On 30 full days that are naturally distributed across an entire year, a humidity level of 95% is permissible at an ambient temperature $\leq 25^\circ\text{C}$.

PLC-RSC-120UC/ 1/SEN - Relay module



2966249

<https://www.phoenixcontact.com/us/products/2966249>

Approvals

To download certificates, visit the product detail page: <https://www.phoenixcontact.com/us/products/2966249>



cUL Recognized
Approval ID: E238705



UL Recognized
Approval ID: E238705



EAC
Approval ID: TR_TS_D_00573_c



DNV GL
Approval ID: TAE0000196



EAC
Approval ID: RU*C-DE.*08.B.00010



UL Listed
Approval ID: FILE E 172140



cUL Listed
Approval ID: FILE E 172140



cULus Listed
Approval ID: E140324

cULus Recognized

cULus Listed

PLC-RSC-120UC/ 1/SEN - Relay module



2966249

<https://www.phoenixcontact.com/us/products/2966249>

Classifications

ECLASS

| | |
|-------------|----------|
| ECLASS-11.0 | 27371601 |
| ECLASS-12.0 | 27371601 |
| ECLASS-13.0 | 27371601 |

ETIM

| | |
|----------|----------|
| ETIM 9.0 | EC001437 |
|----------|----------|

UNSPSC

| | |
|-------------|----------|
| UNSPSC 21.0 | 39122300 |
|-------------|----------|

2966249

<https://www.phoenixcontact.com/us/products/2966249>

Environmental product compliance

EU RoHS

| | |
|---|--------------|
| Fulfills EU RoHS substance requirements | Yes |
| Exemption | 7(a), 7(c)-I |

China RoHS

| | |
|--|---|
| Environment friendly use period (EFUP) | EFUP-50 |
| | An article-related China RoHS declaration table can be found in the download area for the respective article under "Manufacturer declaration". For all articles with EFUP-E, no China RoHS declaration table issued and required. |

EU REACH SVHC

| | |
|-------------------------------------|---|
| REACH candidate substance (CAS No.) | Hexahydromethylphthalic anhydride(CAS: n/a) |
| | Lead(CAS: 7439-92-1) |
| SCIP | cc7890e3-dcbf-461f-b4c8-f5e4c057b8da |

Phoenix Contact 2024 © - all rights reserved
<https://www.phoenixcontact.com>

Phoenix Contact USA
586 Fulling Mill Road
Middletown, PA 17057, United States
(+717) 944-1300
info@phoenixcon.com