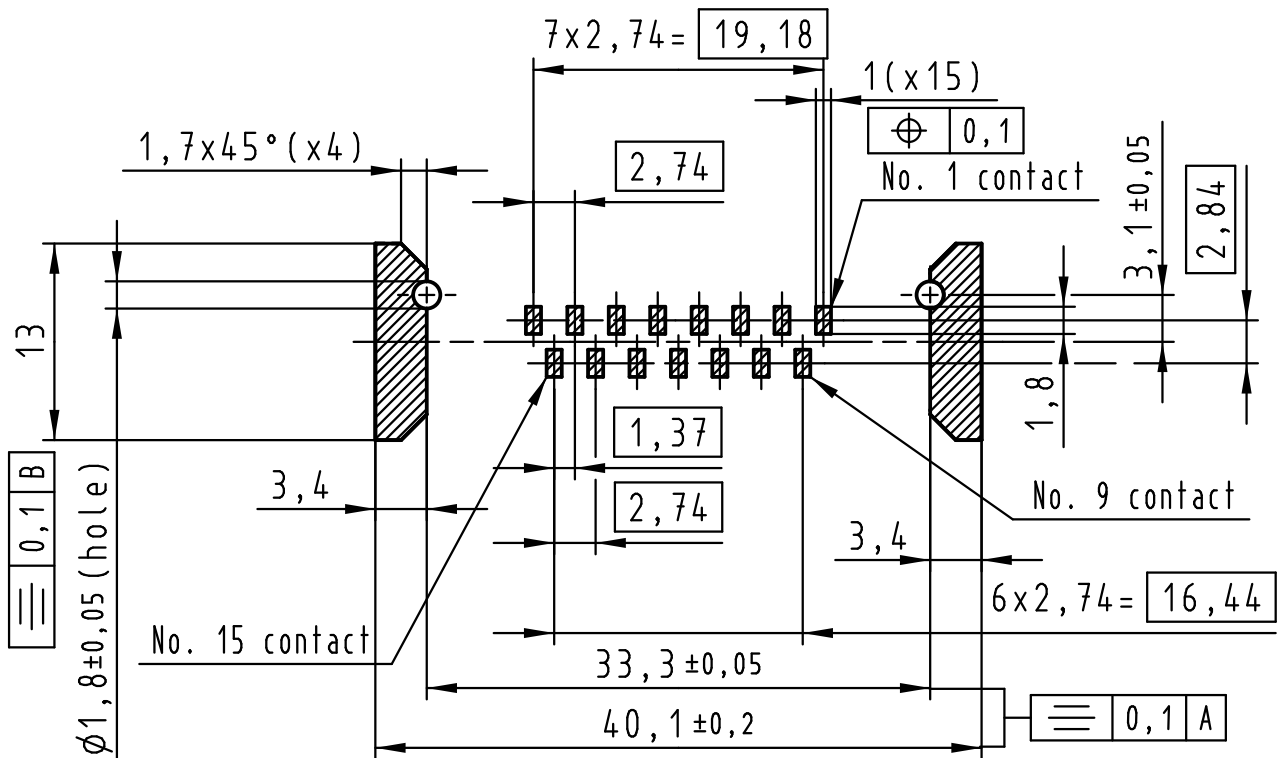
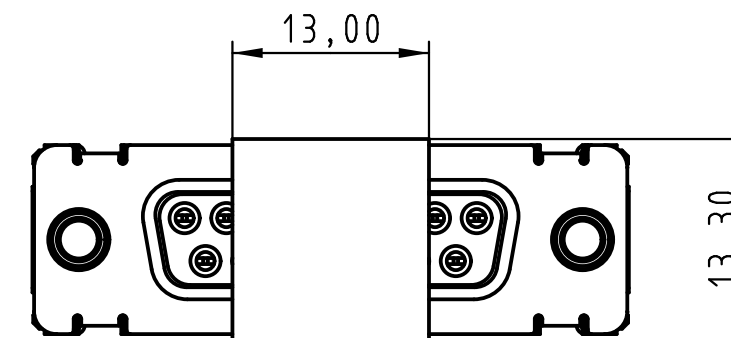
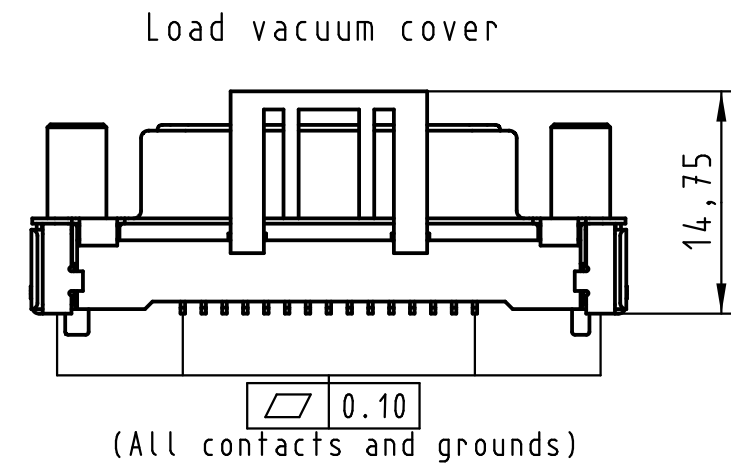
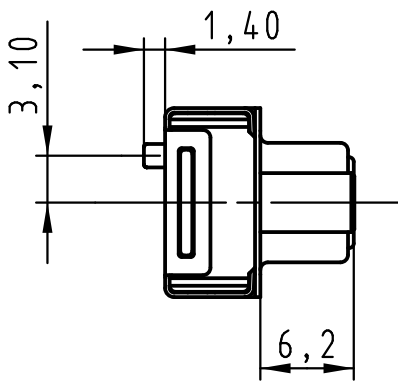
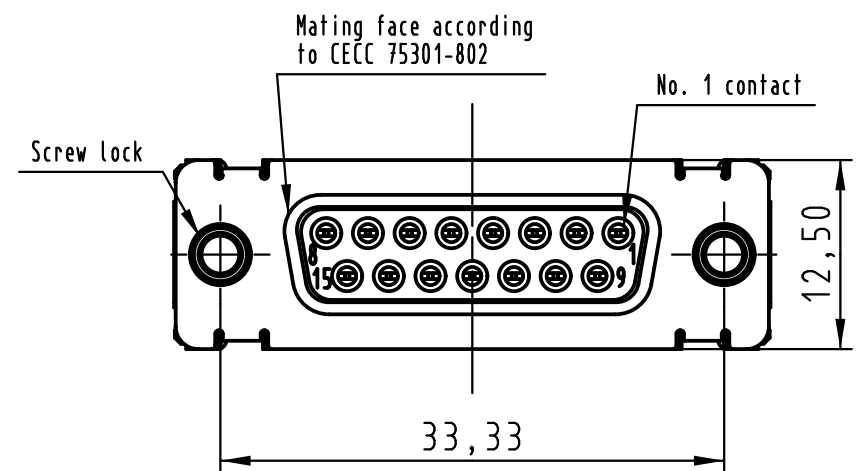
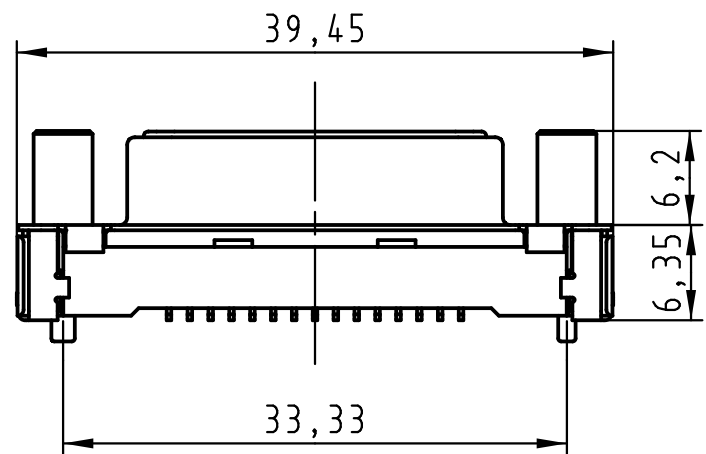


All rights reserved

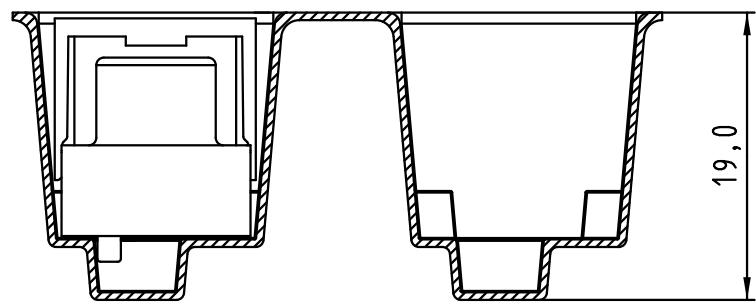


PCB layout, component side

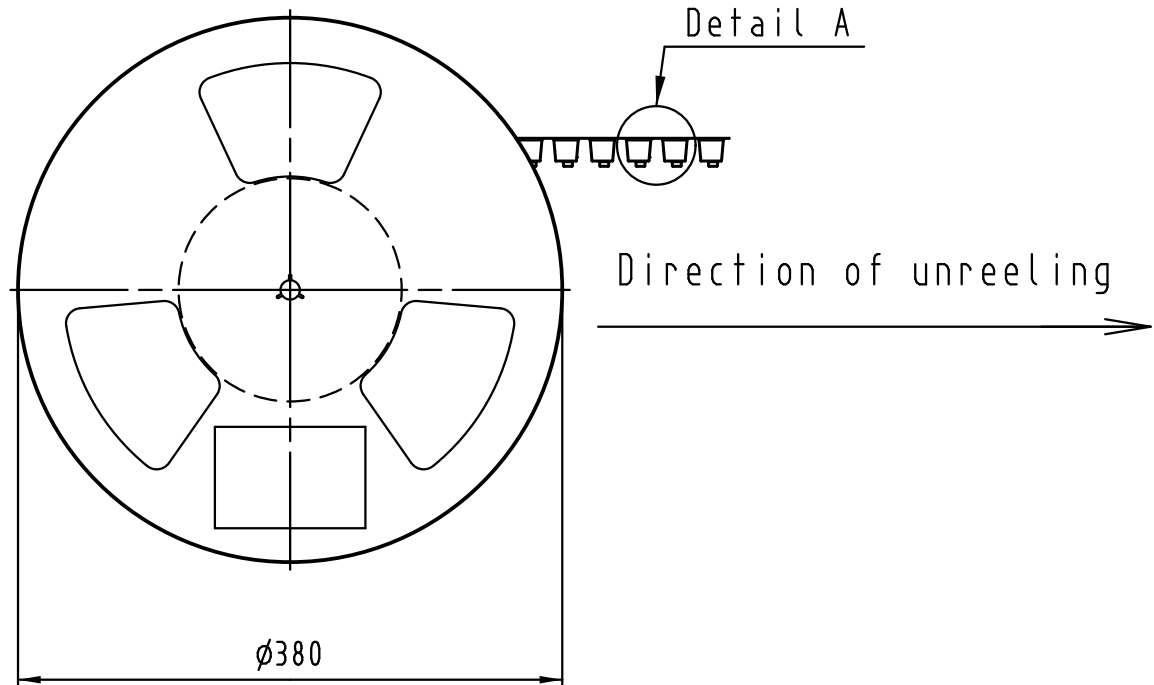
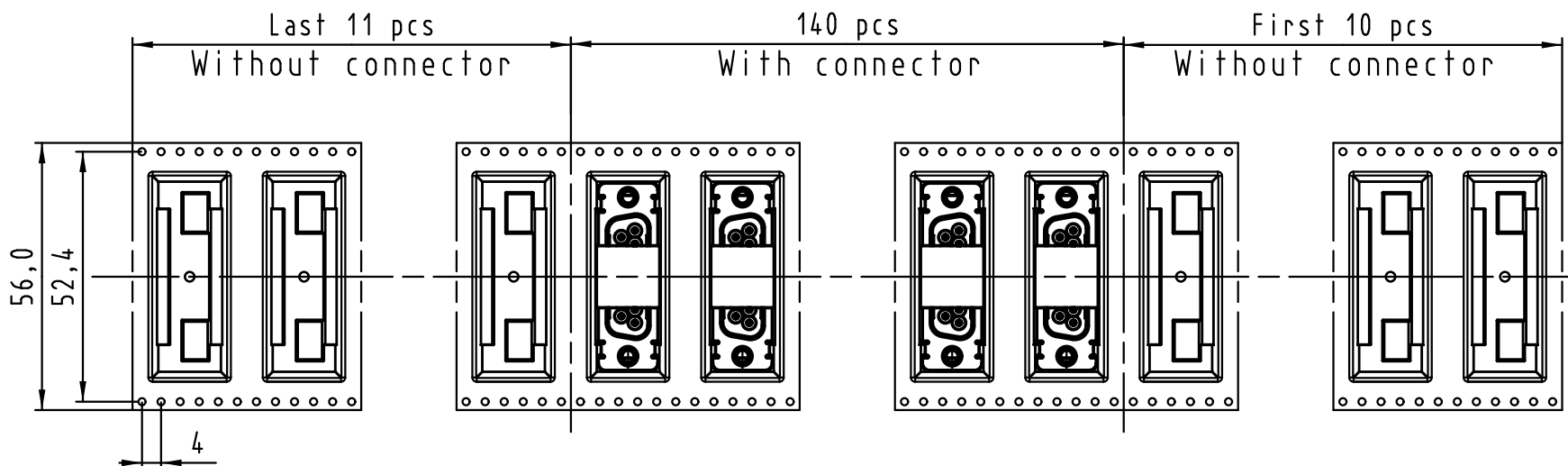
Max. Temperature: 260° during 10 seconds.

0955 215 3621 741	1	M3	Black insulator	Reel Packaging: 140 connectors (See details on page 2/2)														
0955 215 3622 741	1	4-40 UNC																
0955 215 6621 741	2	M3																
0955 215 6622 741	2	4-40 UNC																
0955 215 7621 741	3	M3																
0955 215 7622 741	3	4-40 UNC																
Part number	PL	Screw lock	Index designation															
All Dimensions in mm Original Size DIN A 3		Techn. Character.		Free size tolerances														
		<table border="1"> <tr> <th></th> <th>Dat.</th> <th>Name</th> <th>Scale</th> </tr> <tr> <td>Detail.</td> <td>25-Oct-11</td> <td>Johnson.S</td> <td rowspan="3">2:1</td> </tr> <tr> <td>Insp.</td> <td>17-Nov-11</td> <td>Steven.W</td> </tr> <tr> <td>Stand.</td> <td>17-Nov-11</td> <td>Steven.W</td> </tr> </table>			Dat.	Name	Scale	Detail.	25-Oct-11	Johnson.S	2:1	Insp.	17-Nov-11	Steven.W	Stand.	17-Nov-11	Steven.W	D-Sub SMT, 15 poles Female, Straight with screw locks and ground pads
	Dat.	Name	Scale															
Detail.	25-Oct-11	Johnson.S	2:1															
Insp.	17-Nov-11	Steven.W																
Stand.	17-Nov-11	Steven.W																
EC04070	17-Nov-11	Johnson.S	Zhuhai HARTING Limited	TB 09 55 215 x62x														
Mod.	Dat.	Name	Sub.															

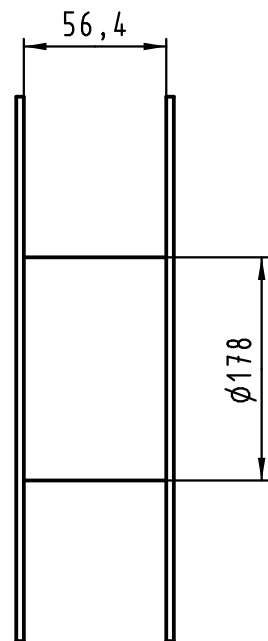
All rights reserved



Detail A



Detail A



See TB 09 55 215 x62x folio 1/2 for connector dimensions and PCB layout

Packaging in accordance with EIA 481-2.

0955 215 3621 741	1	M3	Black insulator	Reel Packaging: 140 connectors
0955 215 3622 741	1	4-40 UNC		
0955 215 6621 741	2	M3		
0955 215 6622 741	2	4-40 UNC		
0955 215 7621 741	3	M3		
0955 215 7622 741	3	4-40 UNC		
Part number	PL	Screw lock	Index designation	

All Dimensions in mm Original Size DIN A 3			Techn. Character.			Free size tolerances						
				Dat.	Name	Scale						
				Detail.	25-Oct-11	Johnson.S	D-Sub SMT, 15 poles Female, Straight with screw locks and ground pads					
				Insp.	17-Nov-11	Steven.W						
				Stand.	17-Nov-11	Steven.W						
EC04070	17-Nov-11	Johnson.S	Zhuhai HARTING Limited			TB 09 55 215 x62x						
Mod.	Dat.	Name				Sub. <table style="float: right; border: none;"> <tr> <td style="border: none;">Page</td> <td style="border: none;">2</td> </tr> <tr> <td style="border: none;">Sub.</td> <td style="border: none;">2</td> </tr> </table>			Page	2	Sub.	2
Page	2											
Sub.	2											

# Mouser Electronics

Authorized Distributor

Click to View Pricing, Inventory, Delivery & Lifecycle Information:

[HARTING:](#)

[09552156622741](#) [09552156621741](#) [09552157622741](#) [09552157621741](#)