

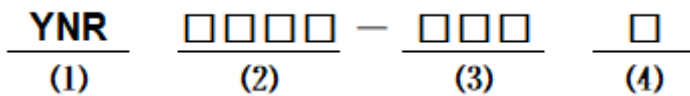
■ Features

- Low profile construction and miniature size.
- Magnetic shielded construction.
- High current saturation.
- Operating temperature:-40°C ~ +125°C.
- RoHS compliant

■ Applications

- For small DC/DC converter(HDD,DVC,DSC,PDA,LCD display etc.).
- Car navigation systems,telecom base stations.
- VR,AR,LED lighting.

■ Product Identification



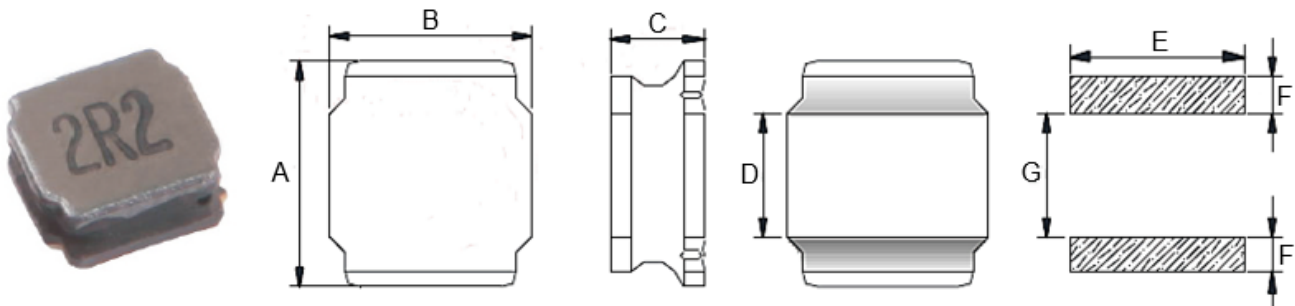
(1) : Type

(2) : Dimensions

(3) : Inductance value

(4) : Inductance Tolerance; N=±30%,M=±20%, K=±10%

■ Shapes and Dimensions (Unit: mm)



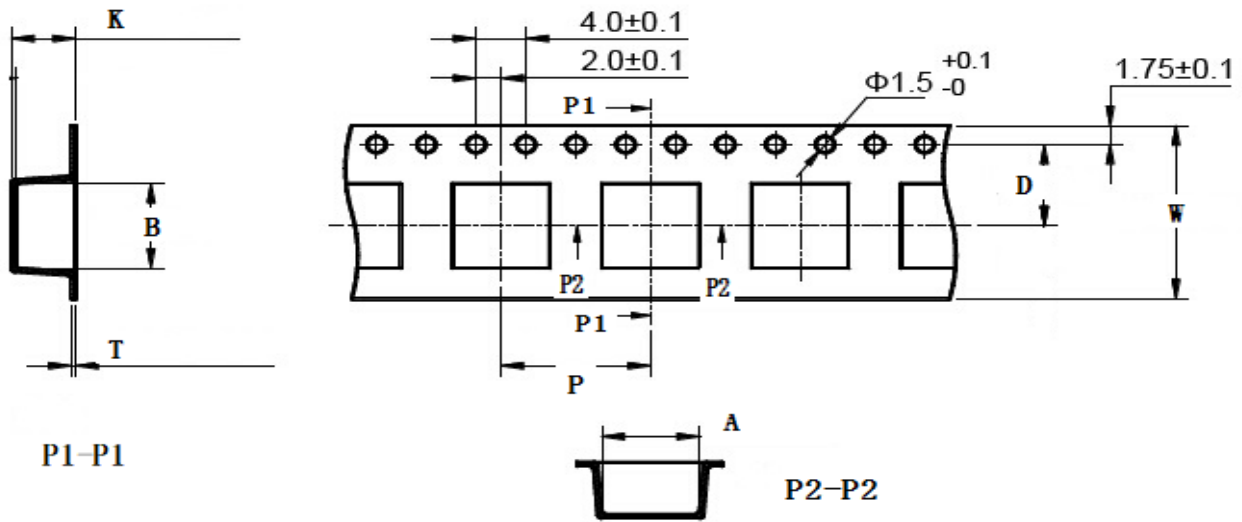
TYPE	A	B	C Max.	D	E Ref.	F Ref.	G Ref.
YNR5030	5.0±0.2	5.0±0.2	3.00	2.5±0.3	4.70	1.50	2.30

■ YNR5030 Series

Part Number	Inductance (uH) @100KHz	DC Max (Ω)	Saturation Current (A)
YNR5030-1R0□	1.00	0.020	7.00
YNR5030-1R5□	1.50	0.024	5.50
YNR5030-2R2□	2.20	0.031	4.50
YNR5030-3R3□	3.30	0.039	4.00
YNR5030-4R7□	4.70	0.065	3.00
YNR5030-5R6□	5.60	0.070	3.00
YNR5030-6R8□	6.80	0.075	2.80
YNR5030-100□	10.0	0.100	2.10
YNR5030-150□	15.0	0.156	1.70
YNR5030-220□	22.0	0.260	1.40
YNR5030-330□	33.0	0.410	1.20
YNR5030-470□	47.0	0.468	0.90
YNR5030-101□	100	0.988	0.75
YNR5030-151□	150	1.470	0.55
YNR5030-221□	220	2.080	0.45
YNR5030-331□	330	3.500	0.35
YNR5030-471□	470	4.700	0.30
YNR5030-102□	1000	10.800	0.20

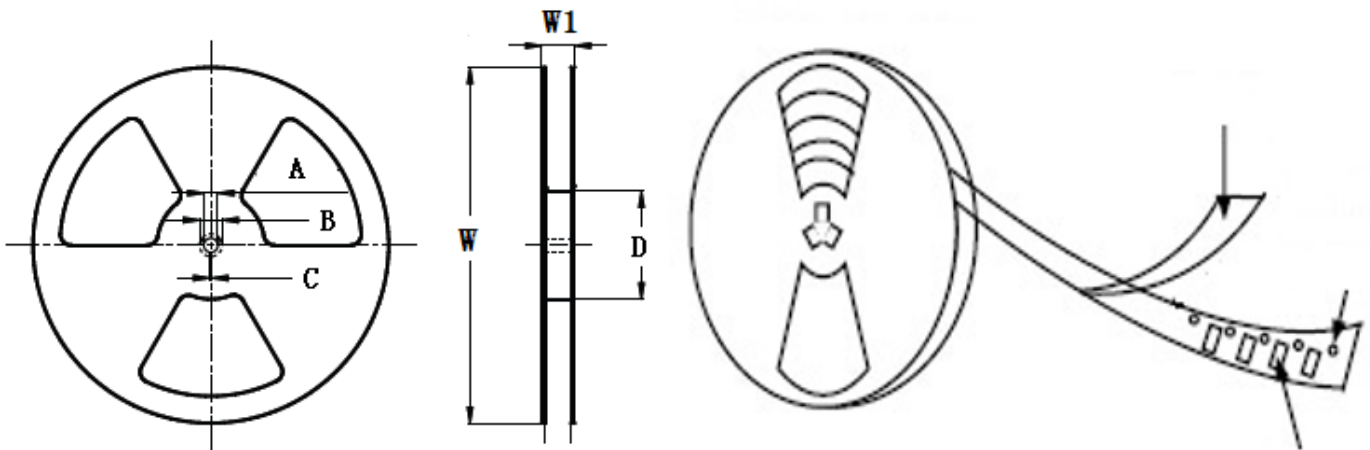
- ※ The saturation current value is the DC current value having inductance decrease down to 30%. (at 20°C)
- ※ The temperature rise current value is the DC current value having temperature increase up to 40°C. (at 20°C)
- ※ The rated current is the DC current value that satisfies both of current value saturation current value and temperature rise current value.

■ Taping Dimensions(Unit:mm)



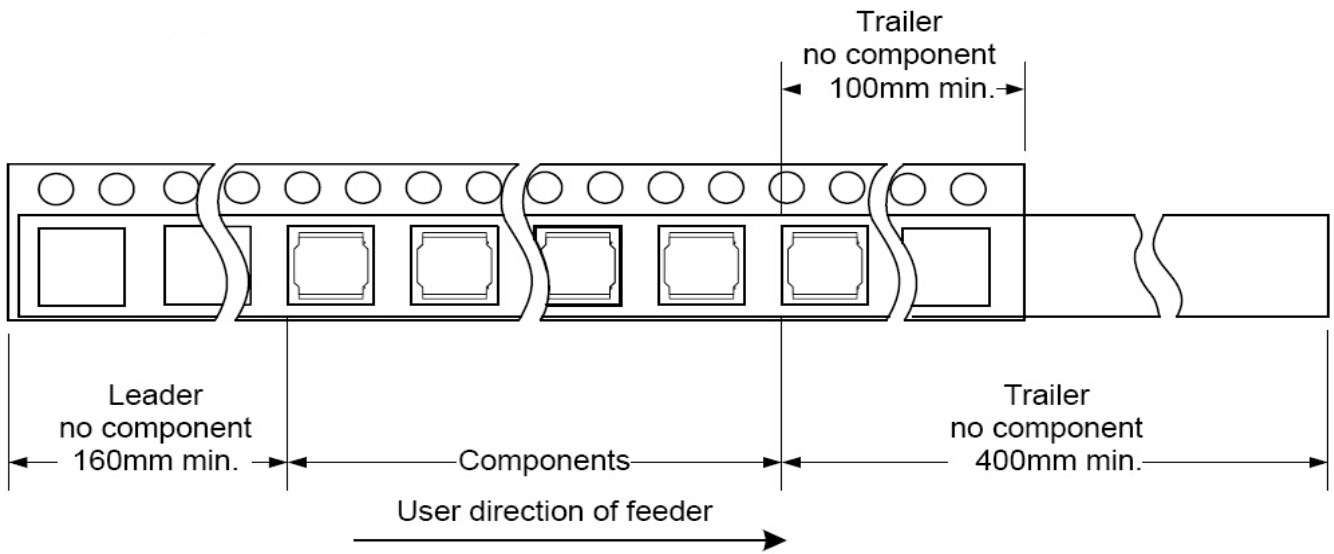
TYPE	Chip Thickness	W	A	B	D	P	K Max	T Max	MPQ
YNR5030	3.00	12.0	5.30	5.30	5.50	8.00	4.20	0.40	2000

■ Reel Dimensions(Unit:mm)

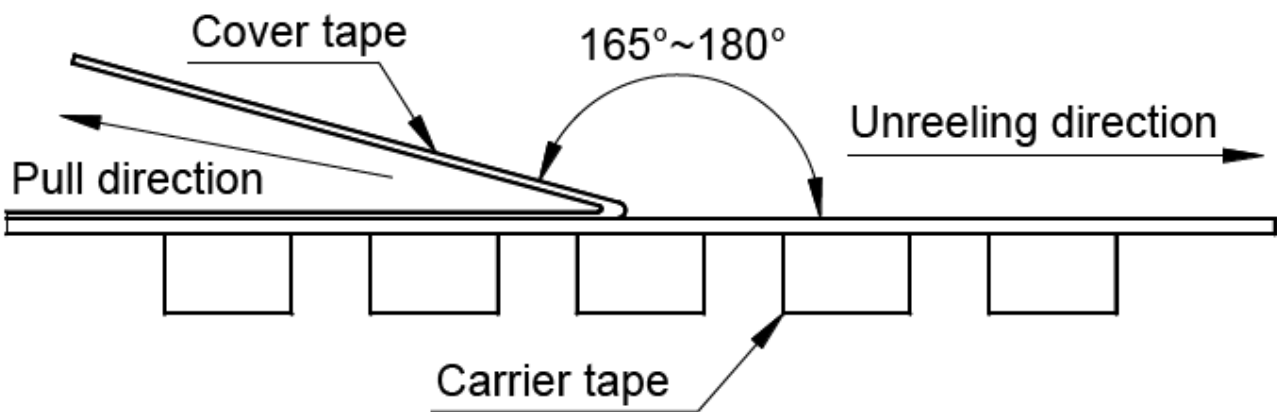


TYPE	W	W1	A	B	C	D
YNR5030	330±2.0	12.8±1.50	13.0±0.50	21.0±0.80	2.0±0.50	100 Min

Direction of rolling



Cover tape peel off condition



Cover tape peel force shall be 0.1N to 1.3N.

Reference peel speed 300 ± 10 mm/min.