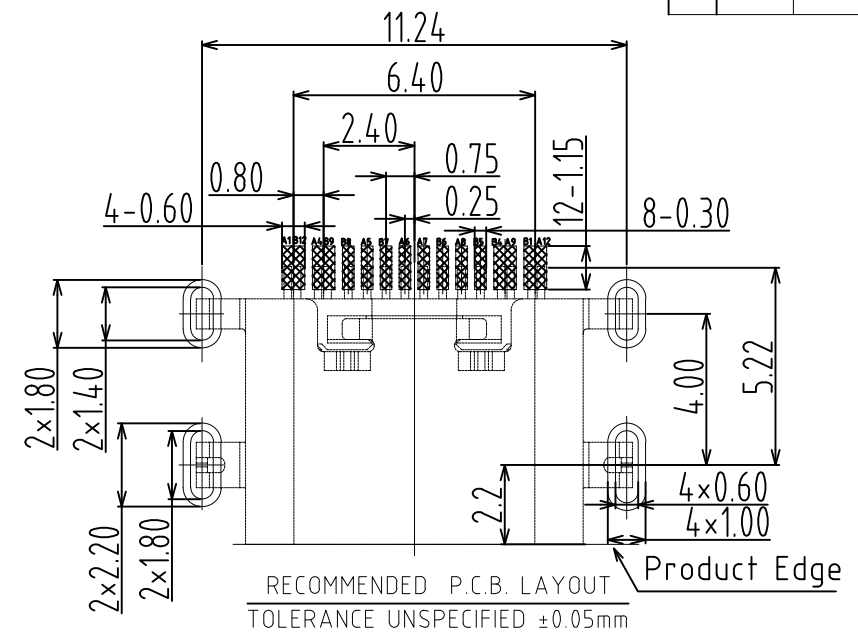
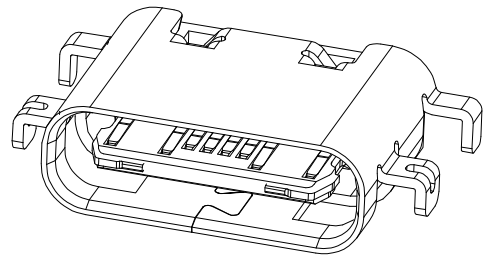
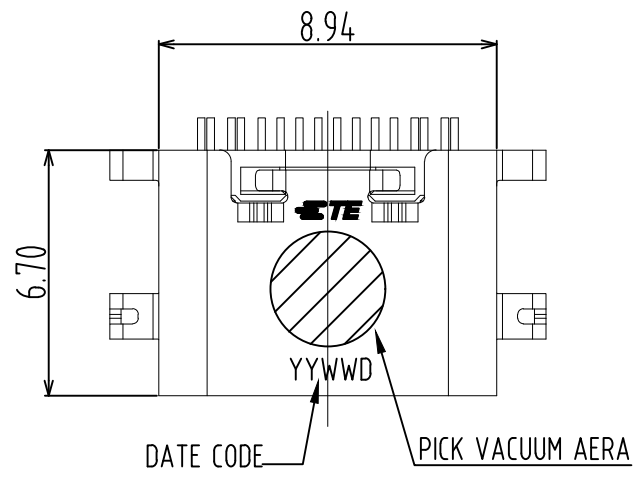


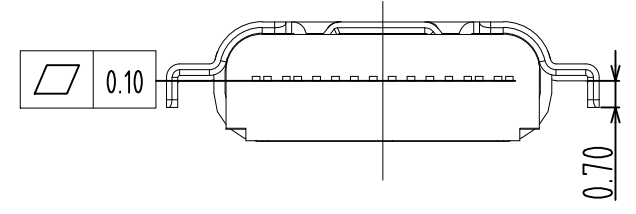
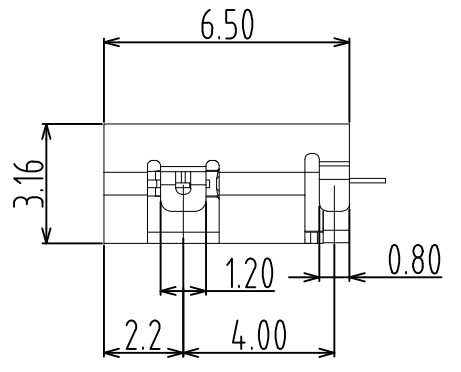
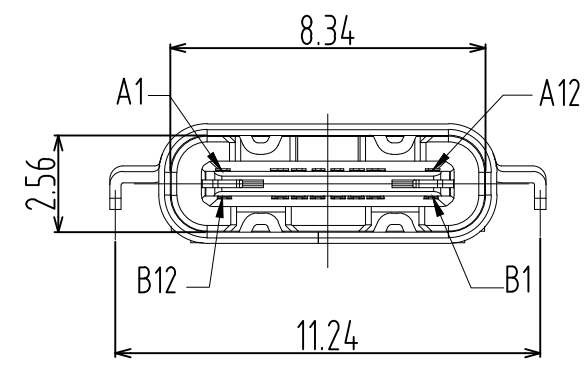
THIS DRAWING IS UNPUBLISHED. RELEASED FOR PUBLICATION  
 © COPYRIGHT - TE Connectivity Ltd. ALL RIGHTS RESERVED.

REVISIONS					
P	LTR	DESCRIPTION	DATE	DWN	APVD
	A	THE OFFICIAL VERSION RELEASED	14MAY2019	R.Z	S.L

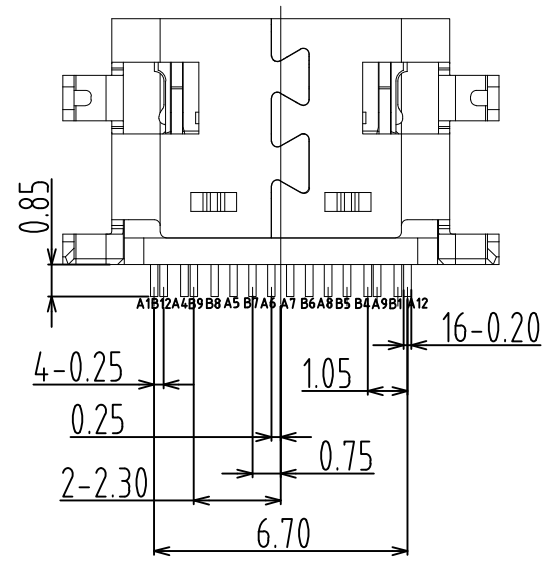


SPECIFICATION:

- CURRENT RATING: 1.5A MAX
- VOLTAGE: 100 VAC
- TEMPERATURE RANGE: -30 °C ~ 85 °C
- CONTACT RESISTANCE: 40 MILLIONHM MAX
- INSULATION RESISTANCE: 100 MEGOHMS MIN.
- INSERTION FORCE : 5N ~ 20N
- UNMATING FORCE: 8N ~ 20N
- DURABILITY: 10,000 CYCLES



A1	GND	B12	GND
A4	VBUS	B9	VBUS
A5	CC1	B8	SBU2
A6	DP1	B7	DN2
A7	DN1	B6	DP2
A8	SBU1	B5	CC2
A9	VBUS	B4	VBUS
A12	GND	B1	GND
PIN	SIGNAL NAME	PIN	SIGNAL NAME



15U"	2340901-3
30U"	2340901-2
G/F	2340901-1
GOLD PLATING THICKNESS	TEPN

NO.	DESCRIPTION	MATERIAL	REMARKS	QTY
6	SHELL	STAINLESS STEEL	NI Plated	1PCS
5	SHIELDING PLATE	STAINLESS STEEL	---	1PCS
4	MD	HIGH TEMPERATURE PLASTIC	BLACK	1PCS
3	CONTACT	COPPER ALLOY	Au/Ni Plated	1SET
2	CONTACT	COPPER ALLOY	Au/Ni Plated	1SET
1	HOUSING	HIGH TEMPERATURE PLASTIC	BLACK	1PCS

THIS DRAWING IS A CONTROLLED DOCUMENT.

DIMENSIONS:	TOLERANCES UNLESS OTHERWISE SPECIFIED:
mm	
	0 PLC ± -
	1 PLC ± 0.30
	2 PLC ± 0.20
	3 PLC ± 0.15
	4 PLC ± -
	ANGLES ± 3°
MATERIAL	FINISH
-	-

DWN	RAMBO ZHANG	22JAN2019
CHK	RICHARD MA	22JAN2019
APVD	SIMON LI	22JAN2019
PRODUCT SPEC		
APPLICATION SPEC		
WEIGHT	-	

**STE** TE Connectivity

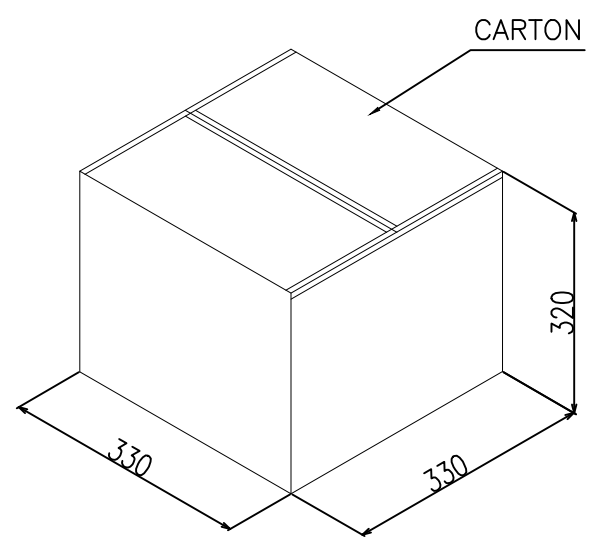
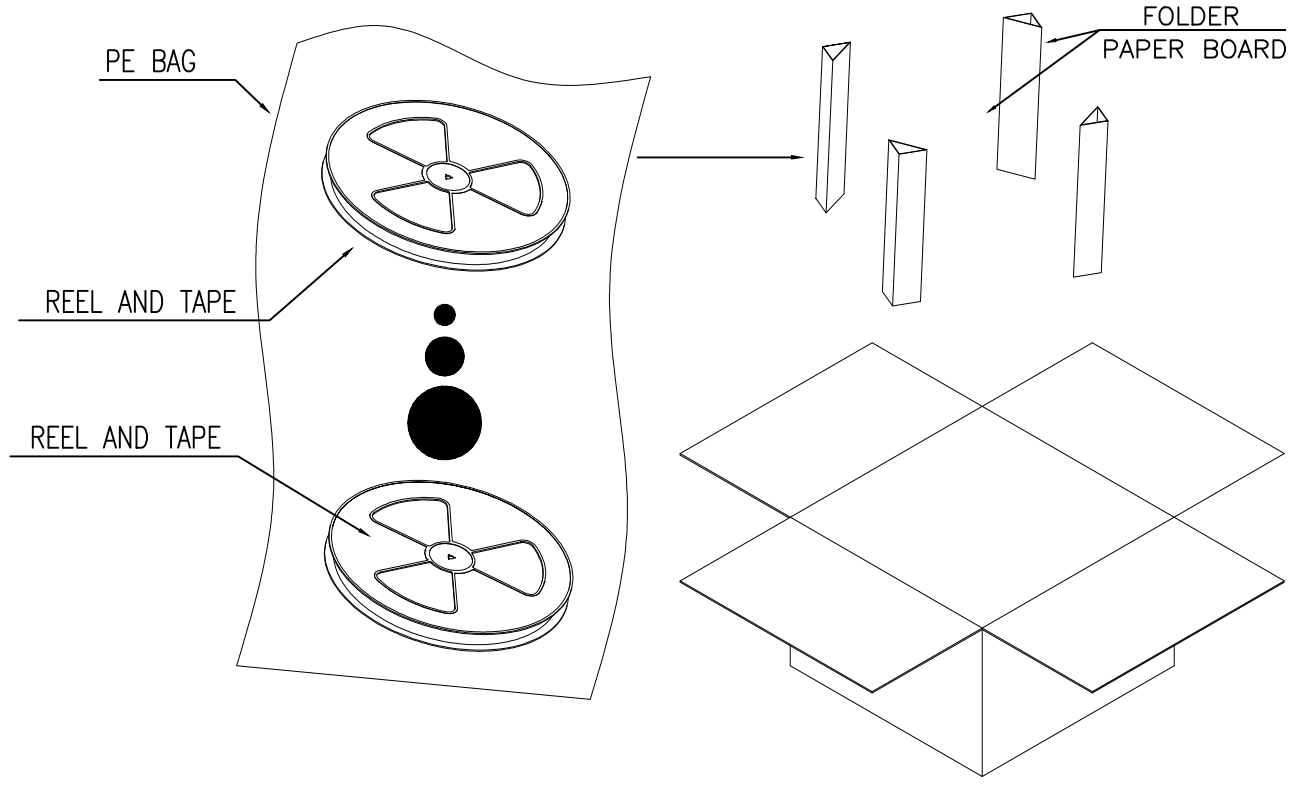
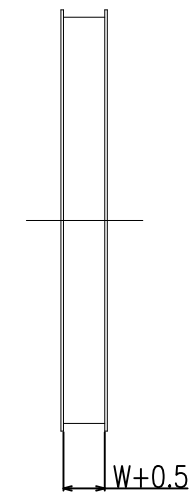
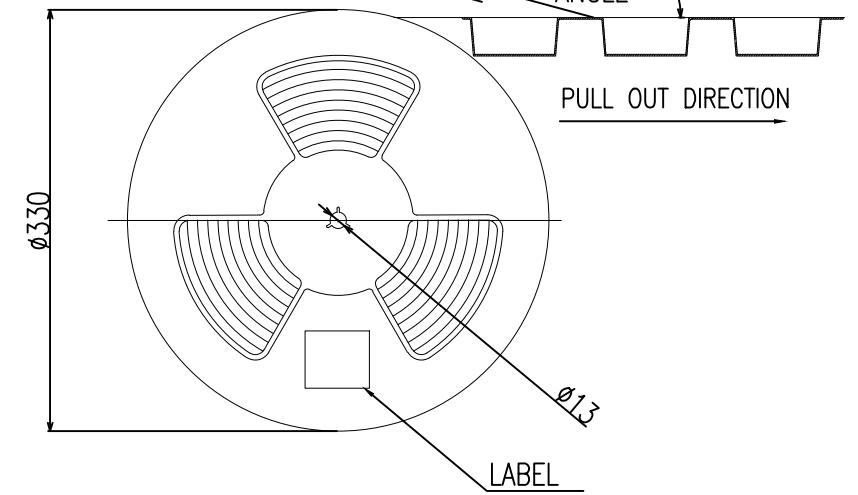
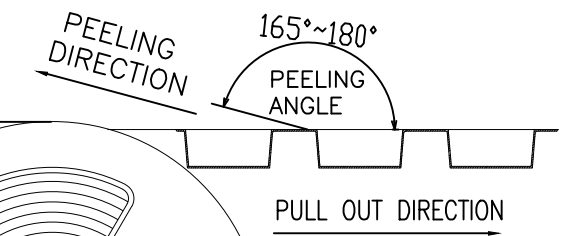
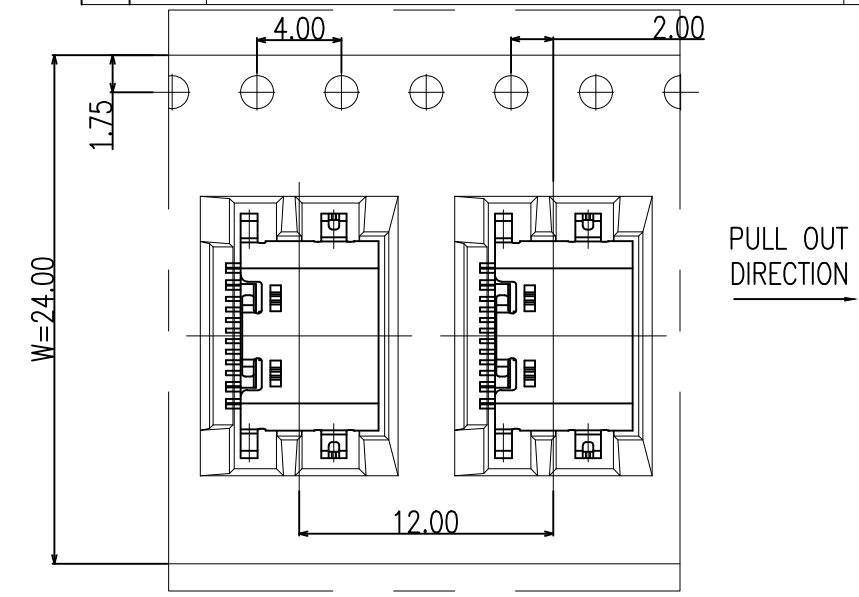
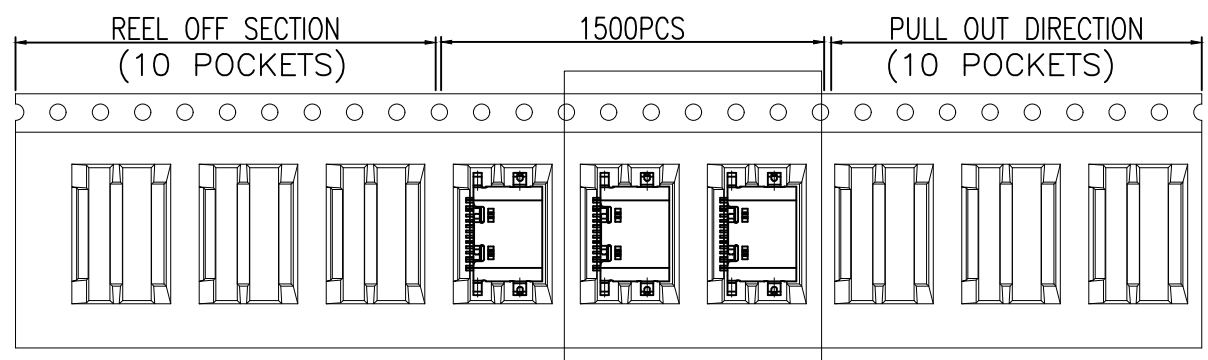
NAME: USB TYPE C 2.0 CONN REC MID-MOUNT ONE ROW SMT TYPE WITH 0.035mm OFFSET

SIZE	CAGE CODE	DRAWING NO	RESTRICTED TO
A3	00779	C-2340901	-

CUSTOMER DRAWING SCALE 1:1 SHEET 1 OF 2 REV A

THIS DRAWING IS UNPUBLISHED. RELEASED FOR PUBLICATION  
 © COPYRIGHT - TE Connectivity Ltd. ALL RIGHTS RESERVED.

P	LTR	DESCRIPTION	DATE	DWN	APVD
-	-	SEE SHEET 1	-	-	-



	REEL	CARTON
CONNECTOR (PCS)	1500	15000

THIS DRAWING IS A CONTROLLED DOCUMENT.		DWN RAMBO ZHANG 22JAN2019	<b>STE</b> TE Connectivity														
DIMENSIONS: mm		CHK RICHARD MA 22JAN2019															
TOLERANCES UNLESS OTHERWISE SPECIFIED:		APVD SIMON LI 22JAN2019	NAME														
<table border="0"> <tr><td>0 PLC</td><td>± -</td></tr> <tr><td>1 PLC</td><td>± -</td></tr> <tr><td>2 PLC</td><td>± -</td></tr> <tr><td>3 PLC</td><td>± -</td></tr> <tr><td>4 PLC</td><td>± -</td></tr> <tr><td>ANGLES</td><td>± -</td></tr> </table>		0 PLC	± -	1 PLC	± -	2 PLC	± -	3 PLC	± -	4 PLC	± -	ANGLES	± -	PRODUCT SPEC	USB TYPE C 2.0 CONN REC MID-MOUNT ONE ROW SMT TYPE WITH 0.035mm OFFSET		
0 PLC	± -																
1 PLC	± -																
2 PLC	± -																
3 PLC	± -																
4 PLC	± -																
ANGLES	± -																
MATERIAL		APPLICATION SPEC	SIZE	CAGE CODE	DRAWING NO												
FINISH		WEIGHT	A3	00779	C-2340901												
CUSTOMER DRAWING			RESTRICTED TO	SCALE	SHEET												
			-	1:1	2 OF 2												
					REV A												