

HC-STA-B16-HLFS-1TTP16-EL-AL - Housing



1412731

<https://www.phoenixcontact.com/us/products/1412731>

Please be informed that the data shown in this PDF document is generated from our online catalog. Please find the complete data in the user documentation. Our general terms of use for downloads are valid.



Sleeve housing B16, for single locking latch, material: Die-cast aluminum, salt water resistant, cable outlets: 1, straight, 1x Pg16, height: 60 mm, cable gland: none, Standard

Your advantages

- Good shielding in the event of electromagnetic interference

Commercial data

Item number	1412731
Packing unit	1 pc
Minimum order quantity	1 pc
Sales key	BF56
Product key	BF7APB
Catalog page	Page 620 (C-2-2019)
GTIN	4055626060057
Weight per piece (including packing)	203.8 g
Weight per piece (excluding packing)	203 g
Customs tariff number	85389099
Country of origin	CN

HC-STA-B16-HLFS-1TTP16-EL-AL - Housing



1412731

<https://www.phoenixcontact.com/us/products/1412731>

Technical data

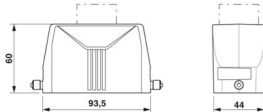
Notes

General	For contact inserts HC-B16, BB32, D40, DD72, HS6, HV6, M, K
General	also available as a powder-coated or color version: 1373047 HC-STA-B16-HLFS-1TTP16-EL/...

Product properties

Product type	Housing with locking latch
Housing type	Sleeve housing
Application	Standard
Type	B16
No. of cable outlets	1
Type of the screw connection	1x Pg16
Type	Low design
Cable outlet	straight
Pg screw connection	none

Dimensions

Dimensional drawing	
Width	44 mm
Height	60 mm
Length	93.5 mm

Material specifications

Housing material	Die-cast aluminum, salt water resistant
Housing surface material	uncoated

Mechanical properties

Mechanical data

Type of the screw connection	1x Pg16
Locking type	Pin

Environmental and real-life conditions

Ambient conditions

Degree of protection	IP66
	IP67
Enclosure rating (NEMA)	4 (UL 50e)
	4X (UL 50e)

HC-STA-B16-HLFS-1TTP16-EL-AL - Housing



1412731

<https://www.phoenixcontact.com/us/products/1412731>

	12 (UL 50e)
Impact strength	IK08
Ambient temperature (operation)	-40 °C ... 125 °C

HC-STA-B16-HLFS-1TTP16-EL-AL - Housing

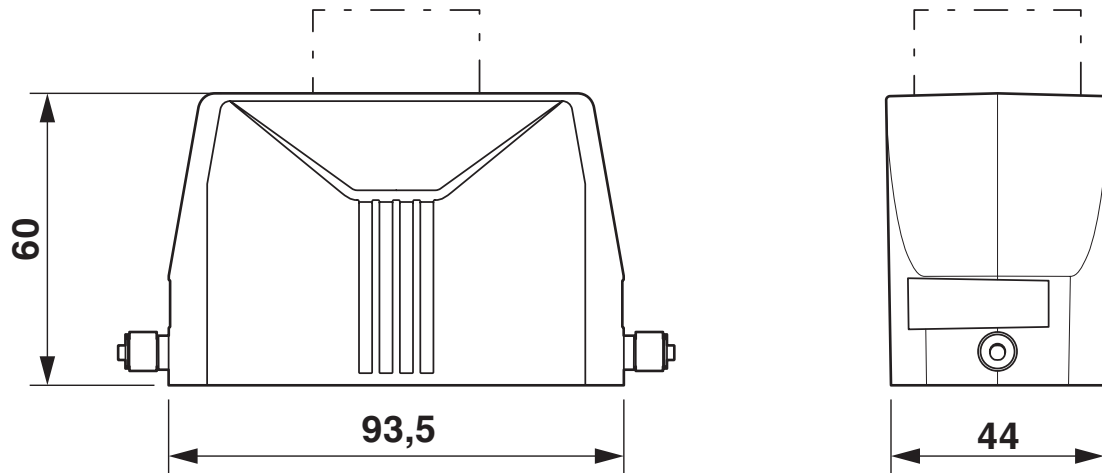
1412731

<https://www.phoenixcontact.com/us/products/1412731>



Drawings

Dimensional drawing



Dimensional drawing

1412731

<https://www.phoenixcontact.com/us/products/1412731>

Approvals

To download certificates, visit the product detail page: <https://www.phoenixcontact.com/us/products/1412731>

DNV

Approval ID: TAE000037S



cUL Recognized

Approval ID: E255026



UL Recognized

Approval ID: E255026



EAC

Approval ID: RU C-DE.AI30.B.01102



EAC

Approval ID: RU C-DE.BL08.B.00511

cULus Recognized

1412731

<https://www.phoenixcontact.com/us/products/1412731>

Classifications

ECLASS

ECLASS-11.0	27440202
ECLASS-12.0	27440202
ECLASS-13.0	27440202

ETIM

ETIM 9.0	EC000437
----------	----------

UNSPSC

UNSPSC 21.0	31261500
-------------	----------

1412731

<https://www.phoenixcontact.com/us/products/1412731>

Environmental product compliance

EU RoHS

Fulfills EU RoHS substance requirements	Yes, No exemptions
---	--------------------

China RoHS

Environment friendly use period (EFUP)	EFUP-E
	No hazardous substances above the limits

EU REACH SVHC

REACH candidate substance (CAS No.)	No substance above 0.1 wt%
-------------------------------------	----------------------------

HC-STA-B16-HLFS-1TTP16-EL-AL - Housing



1412731

<https://www.phoenixcontact.com/us/products/1412731>

Accessories

G-INS-PG16-S68N-NNES-S - Cable gland

1411174

<https://www.phoenixcontact.com/us/products/1411174>



Cable gland, material for screw connection: Brass, nickel-plated, application: Standard, external cable diameter 10 mm ... 14 mm, shielding: no, connecting thread: Pg16, color: silver, with O-ring

G-INSEC-PG16-S68N-NNES-S - Cable gland

1411199

<https://www.phoenixcontact.com/us/products/1411199>



Cable gland, material for screw connection: Brass, nickel-plated, application: EMC, external cable diameter 10 mm ... 14 mm, shielding: yes, connecting thread: Pg16, color: silver, with O-ring

HC-STA-B16-HLFS-1TTP16-EL-AL - Housing



1412731

<https://www.phoenixcontact.com/us/products/1412731>

US-EMLP (20X9) CUS - Plastic label

0830085

<https://www.phoenixcontact.com/us/products/0830085>

Plastic label, can be ordered: by card, white, labeled according to customer specifications, mounting type: adhesive, lettering field size: 20 x 9 mm, Number of individual labels: 75



HC-B16-HCWS-PLR-BK - Protective cover

1346541

<https://www.phoenixcontact.com/us/products/1346541>

Protective cover B16, with single locking latch, protective cover material: PC, height: 26.3 mm, seal: yes



HC-STA-B16-HLFS-1TTP16-EL-AL - Housing

1412731

<https://www.phoenixcontact.com/us/products/1412731>

US-EMLP-HA (20X9) - Plastic label

0830989

<https://www.phoenixcontact.com/us/products/0830989>



Plastic label, Card, white, unlabeled, can be labeled with: BLUEMARK ID COLOR, BLUEMARK ID, THERMOMARK PRIME, THERMOMARK CARD 2.0, THERMOMARK CARD, mounting type: adhesive, lettering field size: 20 x 9 mm, Number of individual labels: 70

WP-G HF IP66 PG16 BK - Screw connection

3240891

<https://www.phoenixcontact.com/us/products/3240891>



Cable gland, Pg thread, IP66 protection, straight

HC-STA-B16-HLFS-1TTP16-EL-AL - Housing

1412731

<https://www.phoenixcontact.com/us/products/1412731>



WP-G HF IP69K PG16 BK - Screw connection

3240877

<https://www.phoenixcontact.com/us/products/3240877>



Cable gland, Pg thread, IP68/69k protection, straight

WP-GA HF IP66 PG16 BK - Screw connection

3240919

<https://www.phoenixcontact.com/us/products/3240919>



Cable gland, Pg thread, IP66 protection, angled

HC-STA-B16-HLFS-1TTP16-EL-AL - Housing

1412731

<https://www.phoenixcontact.com/us/products/1412731>



WP-GA HF IP69K PG16 BK - Screw connection

3240905

<https://www.phoenixcontact.com/us/products/3240905>

Cable gland, Pg thread, IP68/69k protection, angled



WP-GR HF IP66 PG16 BK - Screw connection

3240947

<https://www.phoenixcontact.com/us/products/3240947>

Cable gland, Pg thread, IP66 protection, with strain relief



HC-STA-B16-HLFS-1TTP16-EL-AL - Housing

1412731

<https://www.phoenixcontact.com/us/products/1412731>



WP-GR HF IP69K PG16 BK - Screw connection

3240933

<https://www.phoenixcontact.com/us/products/3240933>



Cable gland, Pg thread, IP68/69k protection, with strain relief

WP-G PP HF PG16 - Screw connection

3240991

<https://www.phoenixcontact.com/us/products/3240991>



Cable gland made from PP with Pg thread, IP65 protection

HC-STA-B16-HLFS-1TTP16-EL-AL - Housing

1412731

<https://www.phoenixcontact.com/us/products/1412731>

WP-GT PP HF PG16 - Screw connection

3241005

<https://www.phoenixcontact.com/us/products/3241005>



Cable gland made from PP with Pg thread, rotatable, IP54 protection

WP-G BRASS IP40 PG16 - Screw connection

3241040

<https://www.phoenixcontact.com/us/products/3241040>



Cable gland made from brass with Pg thread, IP40 protection

HC-STA-B16-HLFS-1TTP16-EL-AL - Housing



1412731

<https://www.phoenixcontact.com/us/products/1412731>

WP-GT BRASS PG16 - Screw connection

3241026

<https://www.phoenixcontact.com/us/products/3241026>

Cable gland made from brass with Pg thread, rotatable, IP40 protection



WP-G BRASS IP65 PG16 - Screw connection

3241054

<https://www.phoenixcontact.com/us/products/3241054>

Cable gland made from brass with Pg thread, IP65 protection



Phoenix Contact 2024 © - all rights reserved
<https://www.phoenixcontact.com>

Phoenix Contact USA
586 Fulling Mill Road
Middletown, PA 17057, United States
(+717) 944-1300
info@phoenixcon.com