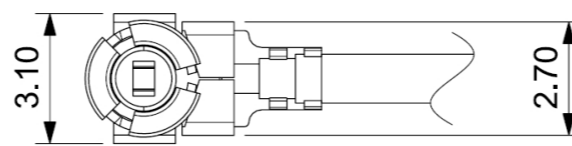
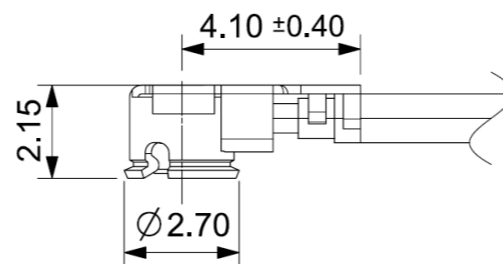
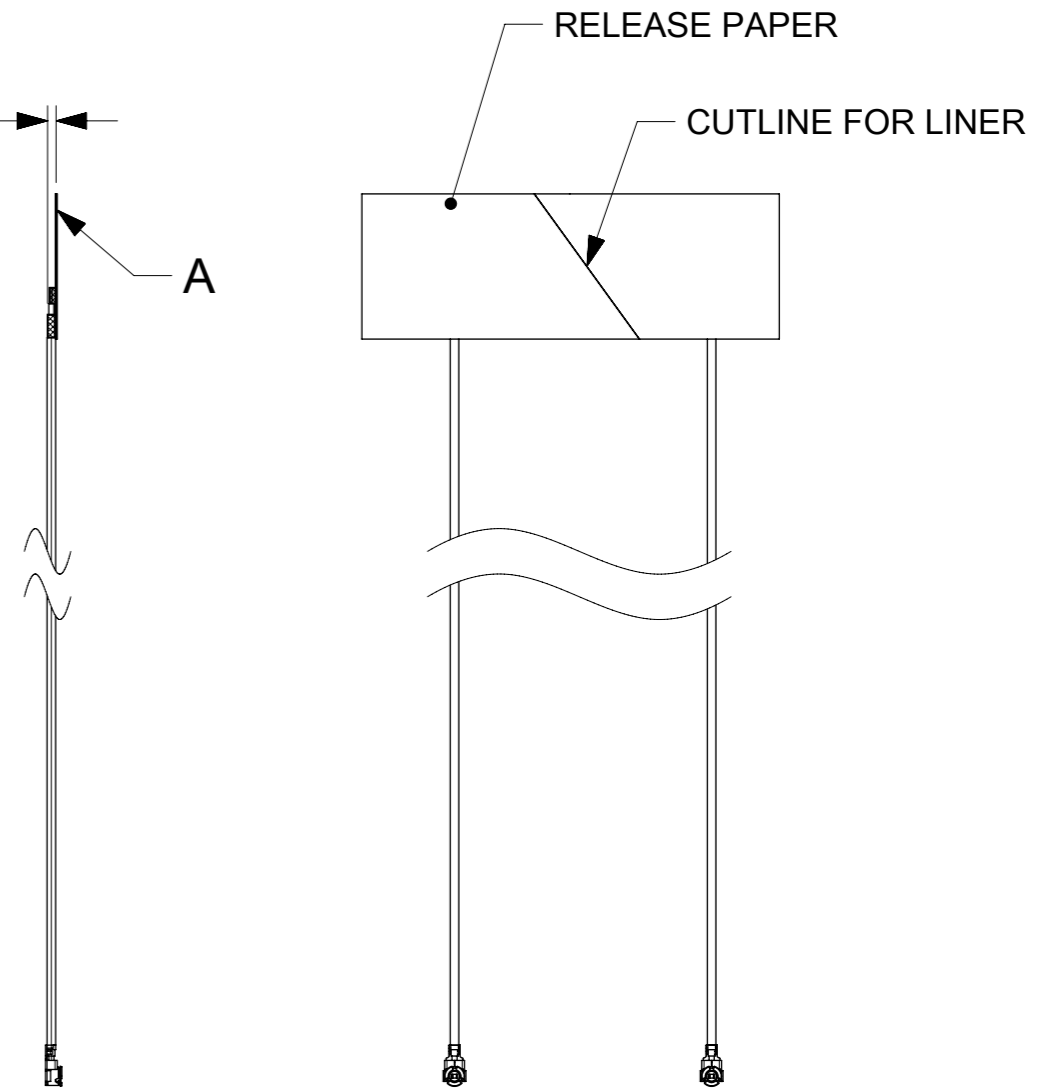
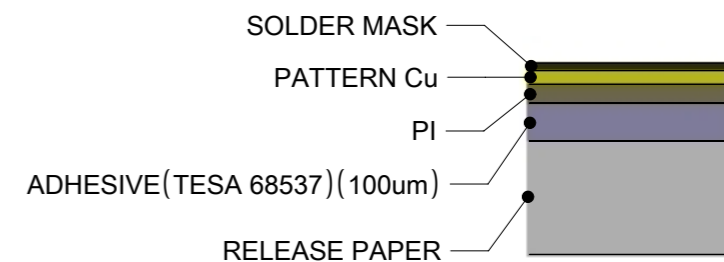


2.00mm WITH SOLDER PASTE MAX
(INCLUDE FLEX)



CONNECTOR



DETAIL A
SCALE 100:1
FLEX LAYER

NOTES:

- MATERIAL:
FLEX SIZE:55.2*19.2mm
CABLE:Ø1.13 mm
CONNECTOR:OD1.13 RF 2.5H U.FL CONNECTOR
(PLUG GOLD PLATED)
- SOLDER MASK:BLACK.
- FOR PULL TEST, CAN NOT LIFT UP IN THE VERTICAL DIRECTION.
- THE CONNECTOR WILL BE PROTECTED WITH A CAP
- APPLICATION SPEC PLEASE REFER TO AS OF 2084820100.
- PRODUCT SPEC PLEASE REFER TO PS OF 2084820100.
- PACKAGING DRAWING SPEC PLEASE REFER TO PK OF 2084820100.

ITEM	MATERIAL NO.	LENGTH"L1"	CABLE LENGTH
1	2084820100	93.24mm	100mm
2	2084820150	143.24mm	150mm
3	2084820200	193.24mm	200mm

SYMBOLS		THIS DRAWING CONTAINS INFORMATION THAT IS PROPRIETARY TO MOLEX ELECTRONIC TECHNOLOGIES, LLC AND SHOULD NOT BE USED WITHOUT WRITTEN PERMISSION		CURRENT REV DESC:		molex	
▽ = 0	mm	SCALE	1:1	EC NO: 606016			
▽ = 0	GENERAL TOLERANCES (UNLESS SPECIFIED)		DRWN: KCHENG06		2018/10/18	PRODUCT CUSTOMER DRAWING	
▽ = 0	ANGULAR TOL ± 0.5°		CHK'D: CZHOU05		2018/10/22	DOCUMENT NUMBER	
▽ = 0	4 PLACES ±		APPR: CZHOU05		2018/10/22	DOC TYPE DOC PART REVISION	
▽ = 0	3 PLACES ± 0.2		INITIAL REVISION:		2084820100		PSD 000 A
▽ = 0	2 PLACES ± 0.25		DRWN: KCHENG06		2018/10/18	MATERIAL NUMBER	
▽ = 0	1 PLACE ± 0.3		APPR: CZHOU05		2018/10/22	CUSTOMER	
▽ = 0	0 PLACES ± 0.5		THIRD ANGLE PROJECTION		DRAWING		SHEET NUMBER
□ = 0	DRAFT WHERE APPLICABLE MUST REMAIN WITHIN DIMENSIONS		A3-SIZE		SERIES		1 OF 1
▽ = 0			208482		MATERIAL NUMBER		SEE TABLE
				GENERAL MARKET			