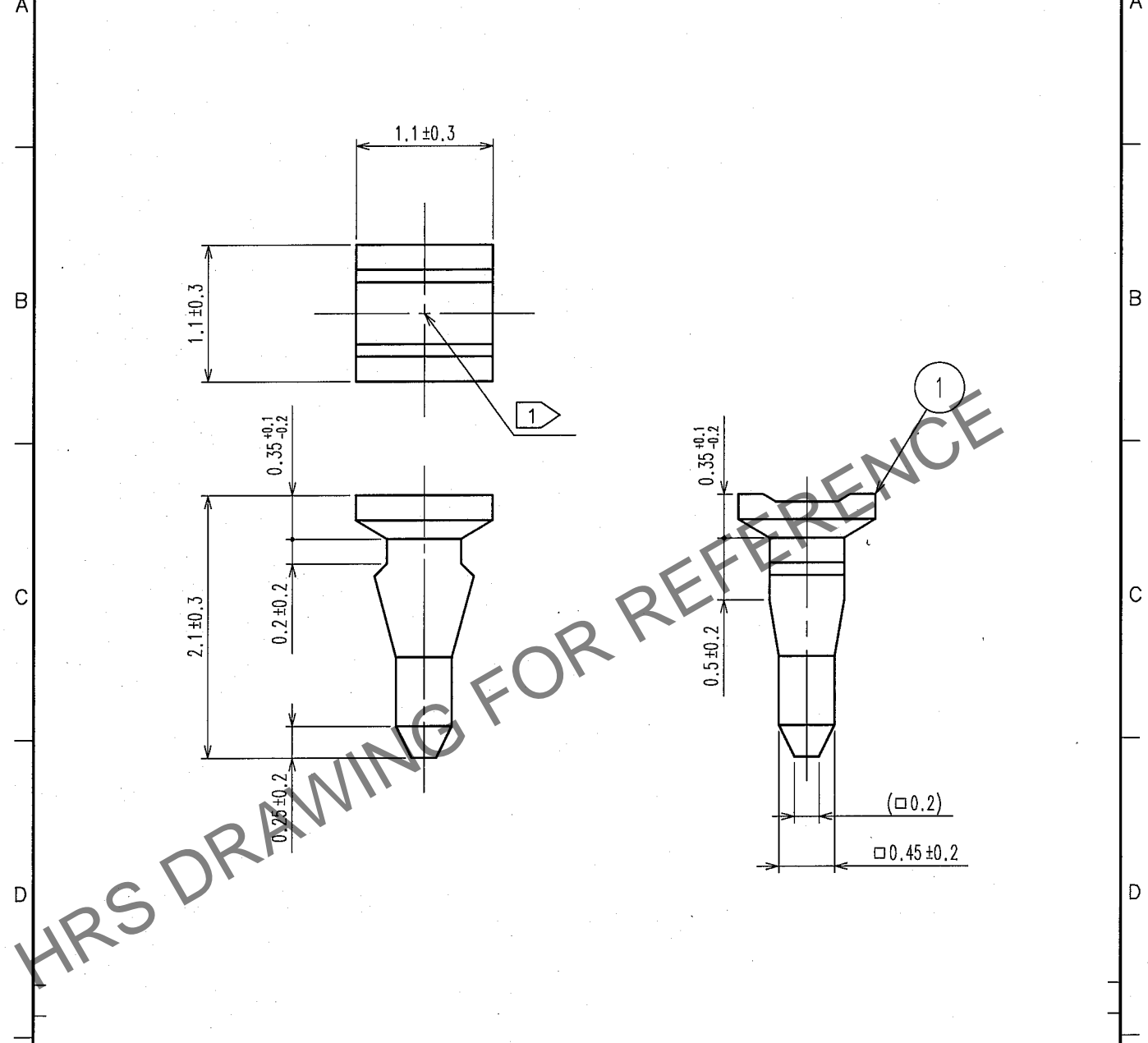


May.1.2024 Copyright 2024 HIROSE ELECTRIC CO., LTD. All Rights Reserved.  
In case of consideration for using Automotive equipment / device which demand high reliability, kindly contact our sales window correspondents.

1		2			3			4		
COUNT	DESCRIPTION OF REVISIONS	BY	CHKD	DATE	COUNT	DESCRIPTION OF REVISIONS	BY	CHKD	DATE	
△				..	△				..	
△				..	△				..	
△				..	△				..	



HRS DRAWING FOR REFERENCE

NOTE 1 THIS PRODUCT IS PROVIDED IN A SET OF 10 PIECES IN CONJUNCTION WITH A RUNNER. THE UNIT FOR SALE CONSISTS OF 10 SETS, WHICH ARE INCLUDED IN ONE PACK.

TO

NO. MATERIAL FINISH, REMARKS		1 POLYACETAL WHITE	
CODE NO. (OLD) CL		DRAWN A. SUZUKAWA 06.10.16	DESIGNED <i>K. Nakamura</i> '06.10.17
		CHECKED <i>J. Ozawa</i> '06.10.17	APPROVED <i>H. Okawa</i> '06.10.17
DRAWING NO. EDC4-021374		PART NO. A3-GP IN(A)	
SACLE 20:1		CODE NO. CL621-0178-2	
UNITS mm		1/1	
<b>HRS</b> HIROSE ELECTRIC CO., LTD.			