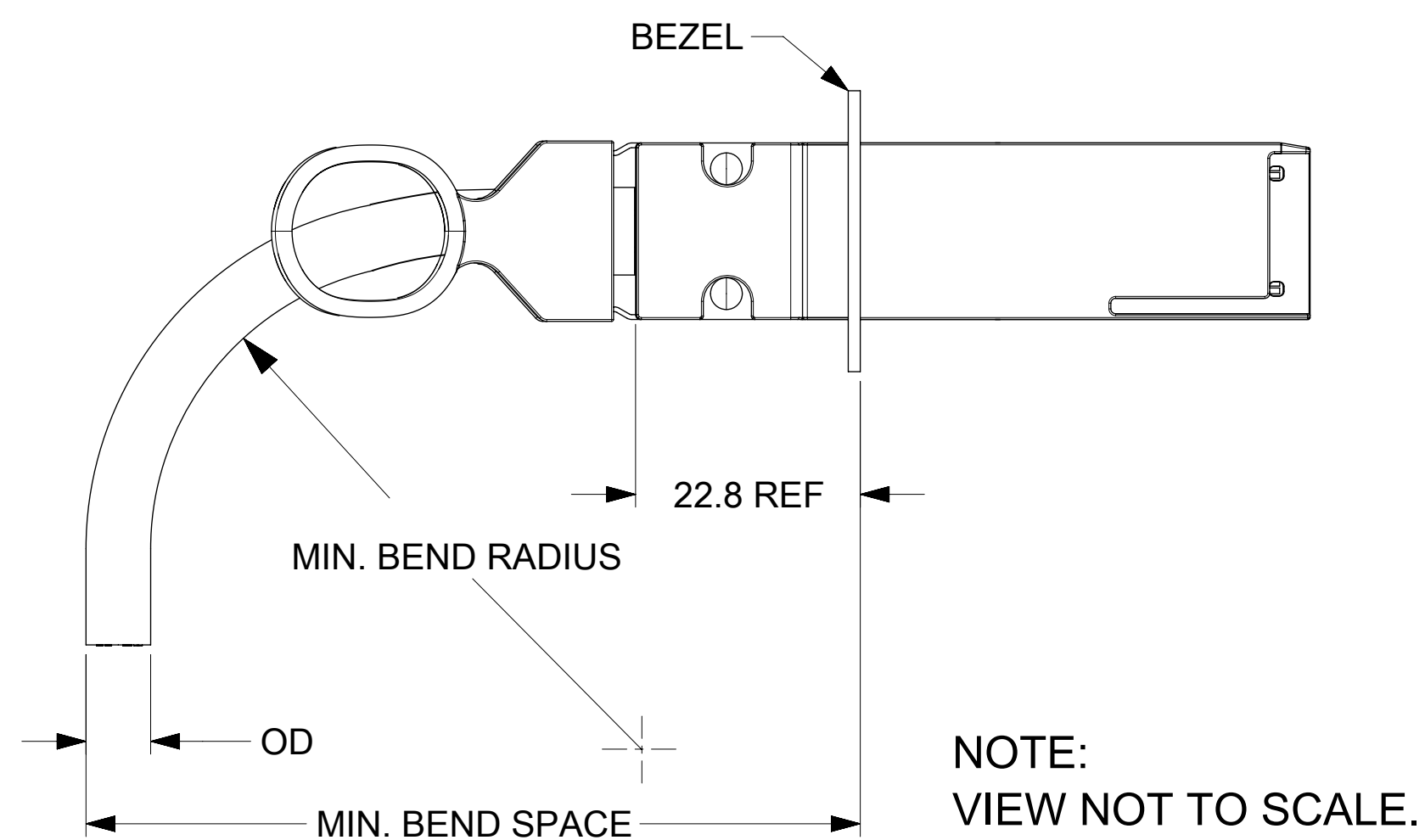


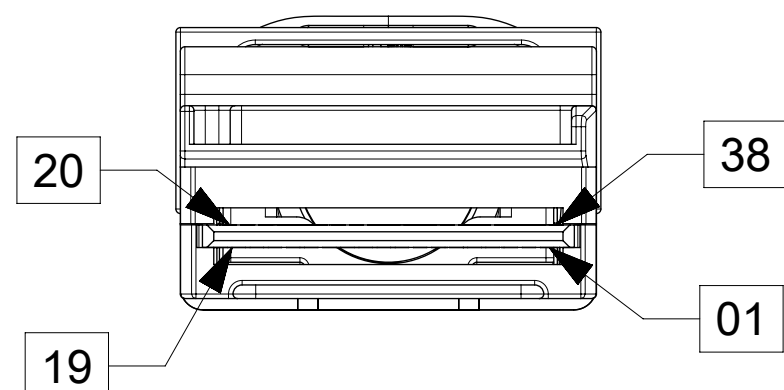
- NOTES:**
- CABLE LENGTH DEPENDS ON WIRE GAUGE, DATA RATE, AND HOST BOARD DRIVER CAPABILITIES
 - MATERIALS:
 BACKSHELLS - ZINC DIE CAST WITH BRIGHT NICKEL PLATING
 DELATCH - STAINLESS STEEL WITH OVERMOLDED NYLON
 RIVETS - STAINLESS STEEL
 - IMPEDANCE - 100 OHMS DIFFERENTIAL
 - CABLE IS UL RECOGNIZED (TBD)
 - EEPROM MAP AVAILABLE UPON REQUEST
 - RoHS COMPLIANT, NO EXEMPTIONS
 - ASSEMBLY TO BE SHIPPED WITH DUST COVERS INSTALLED ON ALL CABLE ENDS

FUNCTIONAL SYMBOLS $F_A = 0$ $F_C = 0$ $F_P = 0$ DIVISIONAL SYMBOLS	THIS DRAWING CONTAINS INFORMATION THAT IS PROPRIETARY TO MOLEX ELECTRONIC TECHNOLOGIES, LLC AND SHOULD NOT BE USED WITHOUT WRITTEN PERMISSION		CURRENT REV DESC: SHEET3 : IN ZONE G8 TEXT " *CABLES MAY NOT MEET ALL SI PARAMETERS OF IEEE 802.3CD " ADDED.		
	mm	1:1	EC NO: 746689		
	GENERAL TOLERANCES (UNLESS SPECIFIED)		DRWN: KIRANG5 2023/04/12		
	ANGULAR TOL ± 5.0°		CHK'D: VITTAD 2023/04/14		
4 PLACES ±		APPR: SCHANNARAYAN 2023/04/19		PRODUCT CUSTOMER DRAWING	
3 PLACES ±		INITIAL REVISION:		DOCUMENT NUMBER	
2 PLACES ± 0.13		DRWN: GWATERWORTH 2017/12/07		2065661000	
1 PLACE ± 0.25		APPR: ADTUCKER 2017/12/14		PSD 000 H	
0 PLACES ±		DRAFT WHERE APPLICABLE MUST REMAIN WITHIN DIMENSIONS		REVISION	
THIRD ANGLE PROJECTION		DRAWING		MATERIAL NUMBER	
D-SIZE		SERIES		CUSTOMER	
206566		SEE P/N TABLE		GENERAL MARKET	
SHEET NUMBER		1 OF 3			

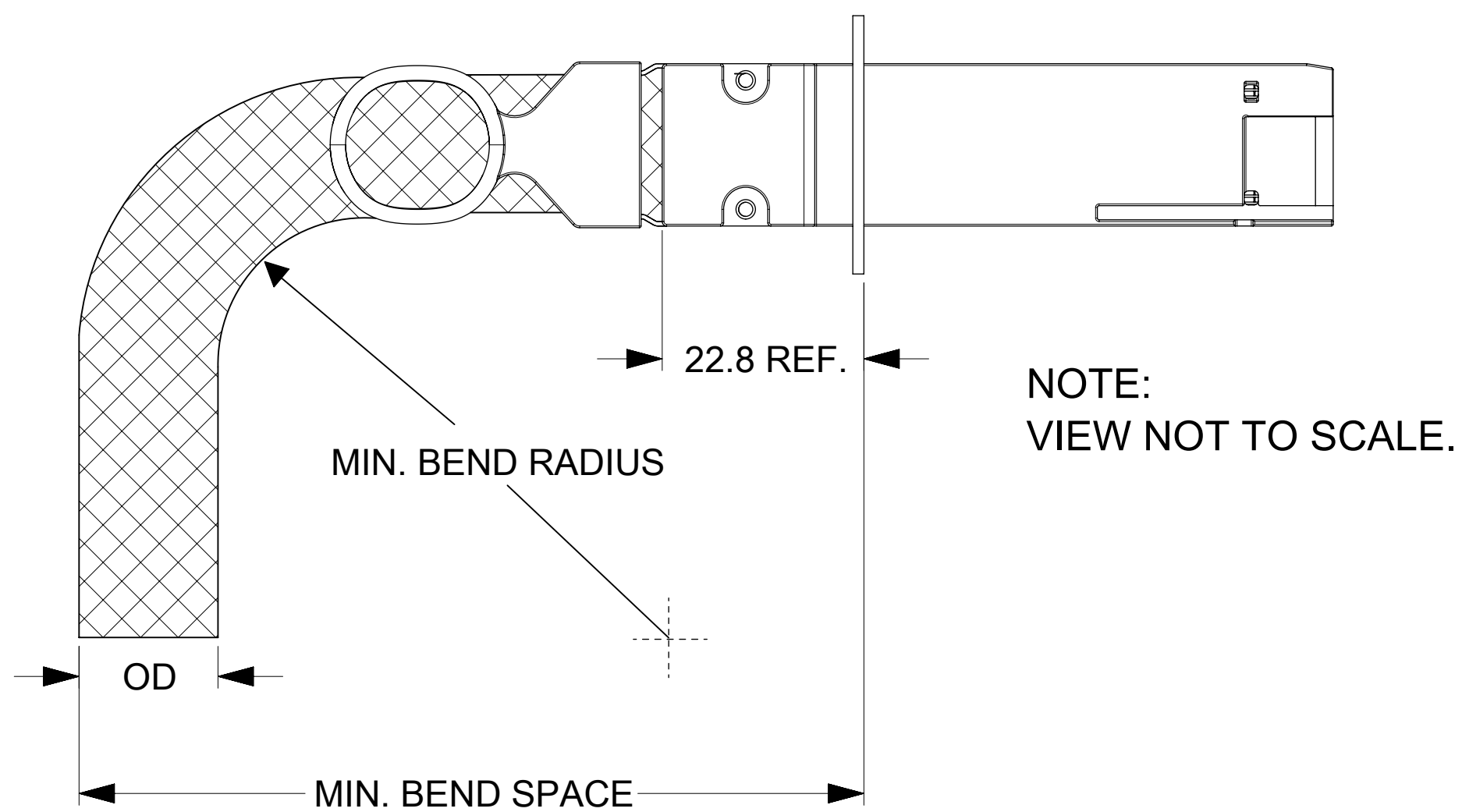
zQSFP+ CABLE BEND RADIUS



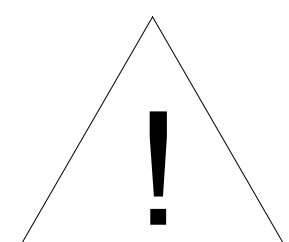
CABLE AWG	OD (mm)	MIN BEND RADIUS (mm)	MIN BEND SPACE (mm)
26	6.8	34	63.6
28	6.5	32.5	61.8
30	5.9	29.5	58.2



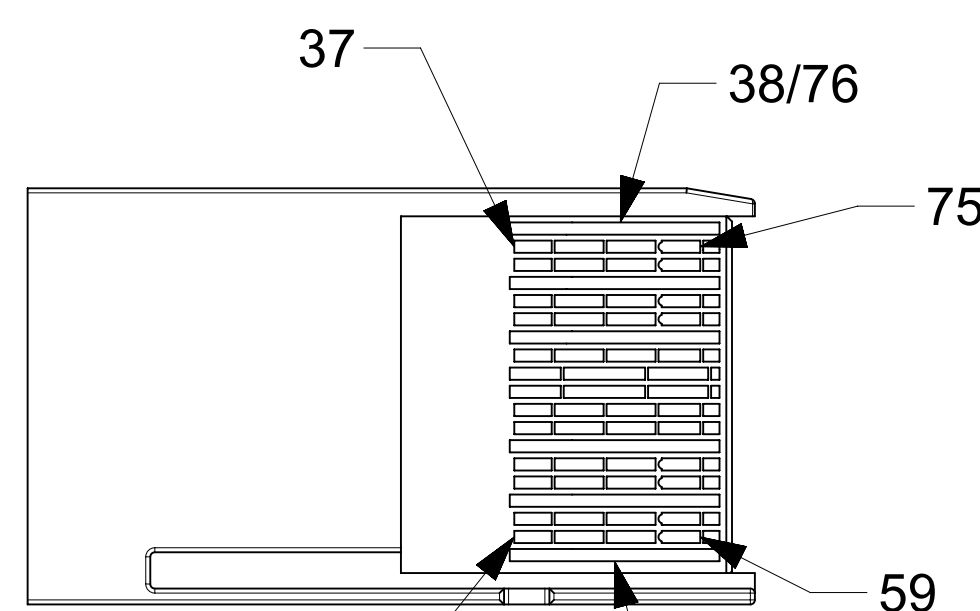
QSFP-DD CABLE BEND RADIUS



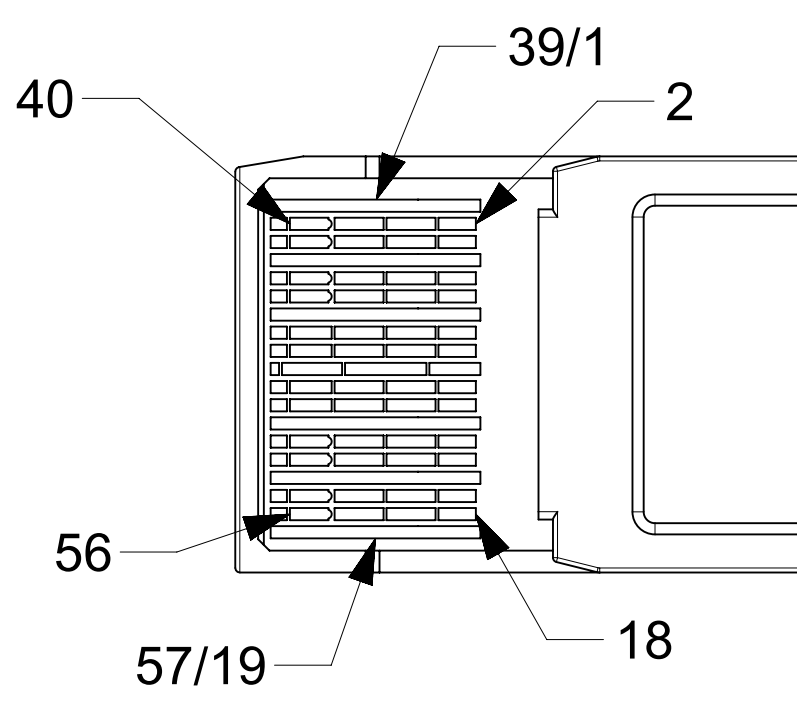
CABLE AWG	OD (mm)	MIN BEND RADIUS (mm)	MIN BEND SPACE (mm)
26	(13)	(65)	(101)
28	12.5	62.5	97.8
30	(9.4)	(47)	(79)



MINIMUM BEND RADIUS PENDING QUALIFICATION. NUMBERS ABOVE ARE ESTIMATES AND SUBJECT TO CHANGE.



TOP VIEW



BOTTOM VIEW

LOW SPEED SIGNALS P1, P2, P3, P4, & P5

PAD	SIGNAL
8	MODSELL
9	RESETL
10	VCCRFX
11	SCL
12	SDA
27	MODPRSL
28	INTL
29	VCCTX
30	VCC1
31	INIT_MODE
46	OPEN
47	OPEN
48	OPEN
49	OPEN
50	OPEN
65	OPEN
66	OPEN
67	OPEN
68	OPEN
69	OPEN

WIRING DIAGRAM

QSFP-DD			zQSFP+		
PAD	SIGNAL	LEG	PAD	SIGNAL	LEG
1	GND	----	20	GND	P2
2	TX2n	--->	21	RX2n	
3	TX2p	--->	22	RX2p	
4	GND	----	20	GND	P3
5	TX4n	--->	21	RX2n	
6	TX4p	--->	22	RX2p	
7	GND	----		GND	P2
13	GND	----		GND	
14	RX3p	<---	36	TX1p	
15	RX3n	<---	37	TX1n	P3
16	GND	----	38	GND	
17	RX1p	<---	36	TX1p	
18	RX1n	<---	37	TX1n	P2
19	GND	----	38	GND	
20	GND	----	1	GND	
21	RX2n	<---	2	TX2n	P3
22	RX2p	<---	3	TX2p	
23	GND	----	1	GND	
24	RX4n	<---	2	TX2n	P2
25	RX4p	<---	3	TX2p	
26	GND	----		GND	
32	GND	----		GND	P3
33	TX3p	--->	17	RX1p	
34	TX3n	--->	18	RX1n	
35	GND	----	19	GND	P2
36	TX1p	--->	17	RX1p	
37	TX1n	--->	18	RX1n	
38	GND	----	19	GND	P4

WIRING DIAGRAM

QSFP-DD			zQSFP+		
PAD	SIGNAL	LEG	PAD	SIGNAL	LEG
39	GND	----	20	GND	P4
40	TX6n	--->	21	RX2n	
41	TX6p	--->	22	RX2p	
42	GND	----	20	GND	P5
43	TX8n	--->	21	RX2n	
44	TX8p	--->	22	RX2p	
45	GND	----		GND	P2
51	GND	----		GND	
52	RX7p	<---	36	TX1p	
53	RX7n	<---	37	TX1n	P3
54	GND	----	38	GND	
55	RX5p	<---	36	TX1p	
56	RX5n	<---	37	TX1n	P4
57	GND	----	38	GND	
58	GND	----	1	GND	
59	RX6n	<---	2	TX2n	P3
60	RX6p	<---	3	TX2p	
61	GND	----	1	GND	
62	RX8n	<---	2	TX2n	P2
63	RX8p	<---	3	TX2p	
64	GND	----		GND	
70	GND	----		GND	P3
71	TX7p	--->	17	RX1p	
72	TX7n	--->	18	RX1n	
73	GND	----	19	GND	P4
74	TX5p	--->	17	RX1p	
75	TX5n	--->	18	RX1n	
76	GND	----	19	GND	

NOTES:

- DC BLOCKING CAPS ON RECEIVE SIDE ONLY
- CABLE COILED AND PACKAGED IN BEST FIT ESD BAG AND SEALED WITH ESD LABEL FOR SHIPPING

FUNCTIONAL SYMBOLS FA = 0 FE = 0 FP = 0	THIS DRAWING CONTAINS INFORMATION THAT IS PROPRIETARY TO MOLEX ELECTRONIC TECHNOLOGIES, LLC AND SHOULD NOT BE USED WITHOUT WRITTEN PERMISSION		CURRENT REV DESC: SHEET3 : IN ZONE G8 TEXT *CABLES MAY NOT MEET ALL SI PARAMETERS OF IEEE 802.3CD * ADDED.		
	mm	SCALE 1:1	GENERAL TOLERANCES (UNLESS SPECIFIED)		
	ANGULAR TOL ± 5.0°		4 PLACES ±		
	3 PLACES ±		2 PLACES ± 0.13		
1 PLACE ± 0.25		0 PLACES ±			
DRAFT WHERE APPLICABLE MUST REMAIN WITHIN DIMENSIONS		THIRD ANGLE PROJECTION	DRAWING D-SIZE	SERIES 206566	MATERIAL NUMBER SEE P/N TABLE

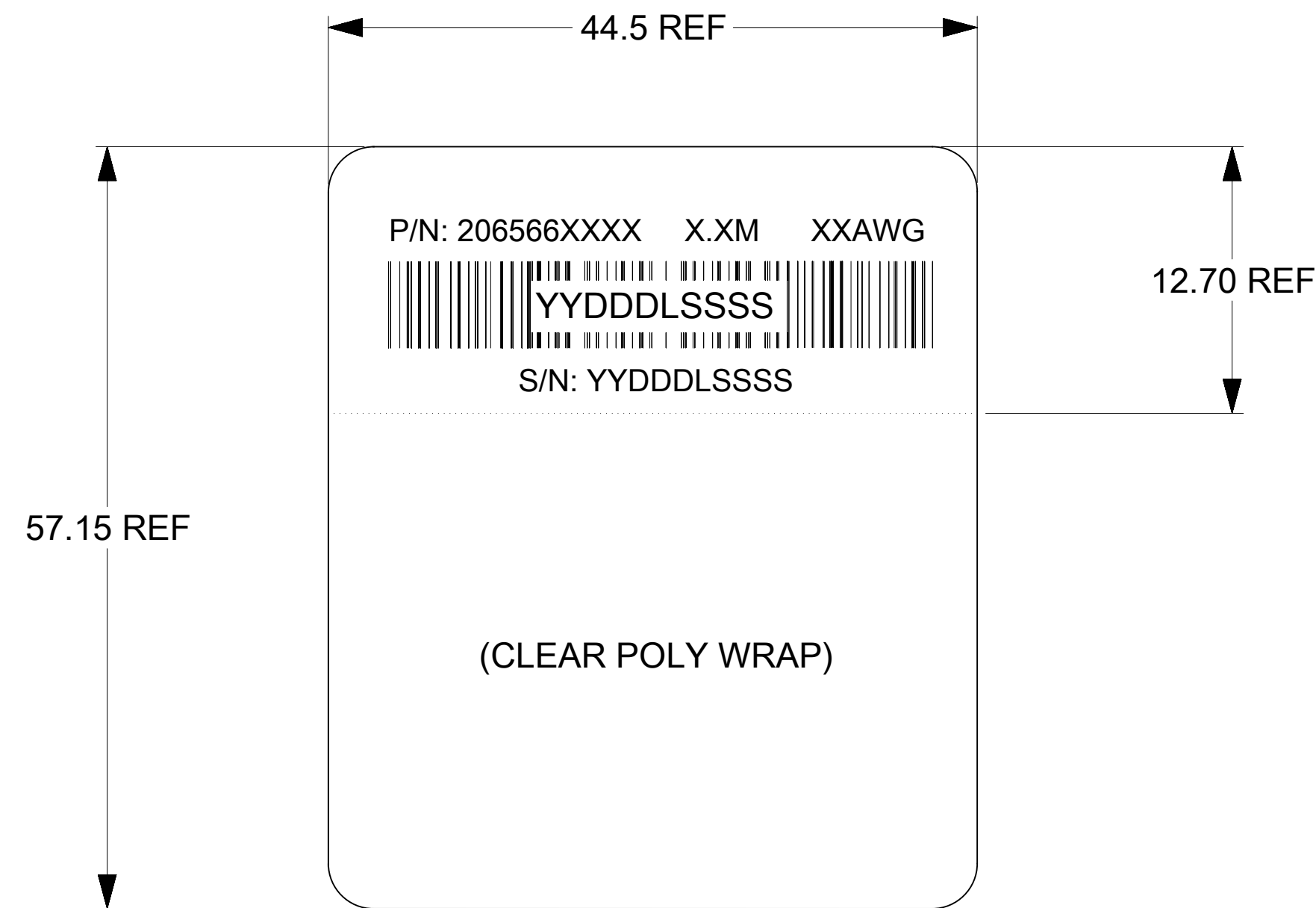
QSFP-DD TO (4) zQSFP+ 56G CABLE ASY

PRODUCT CUSTOMER DRAWING

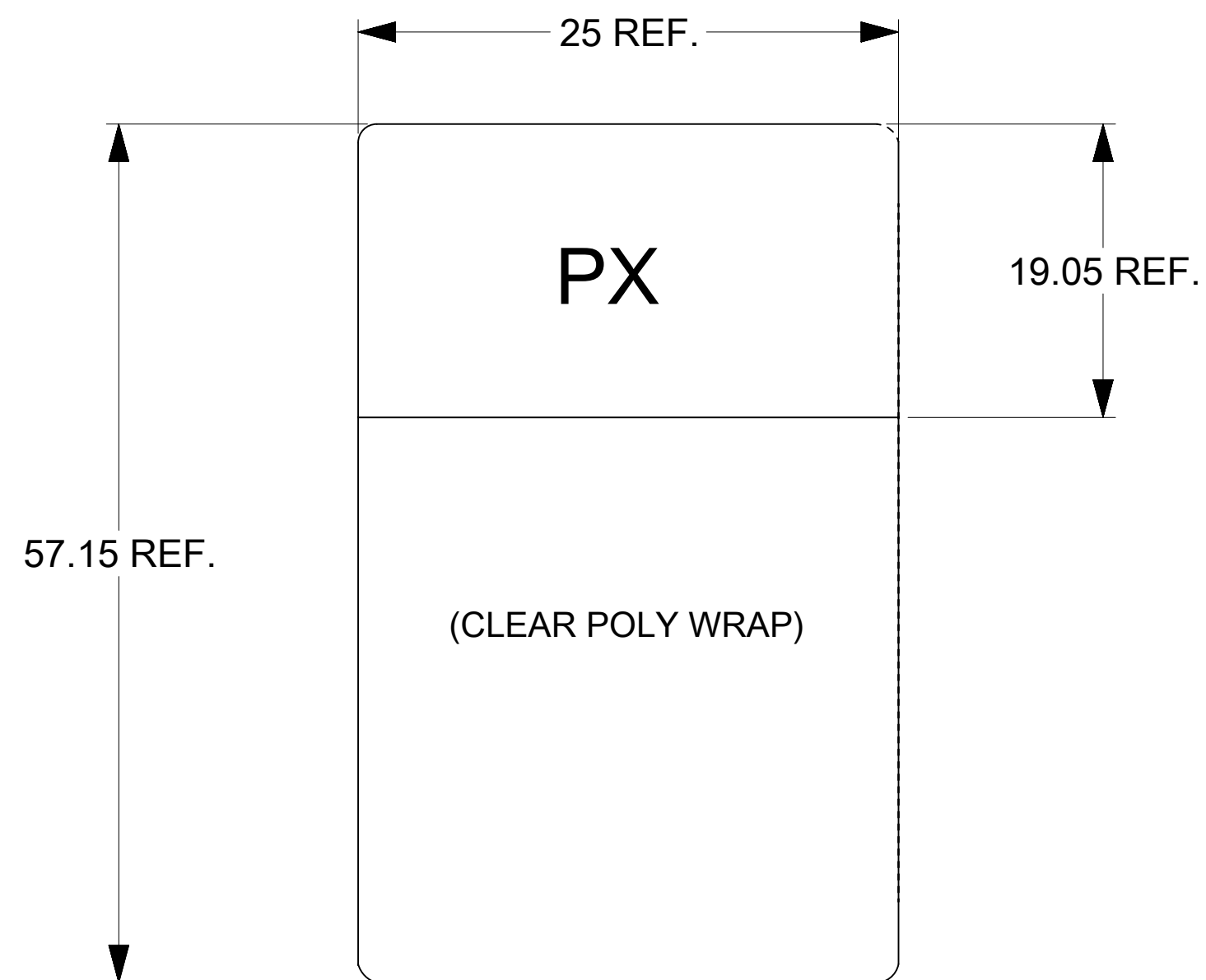
DOCUMENT NUMBER: 2065661000 DOC TYPE: PSD DOC PART: 000 REVISION: H

CUSTOMER: GENERAL MARKET SHEET NUMBER: 2 OF 3

LABEL DETAIL



LEG ID LABEL



PX: P2 - P5

MOLEX P/N	LENGTH (M)	AWG
2065661005	0.5M +/- 0.05M	30
2065661010	1.0M +/- 0.05M	30
2065661015	1.5M +/- 0.08M	30
2065663005*	0.5M +/- 0.05M	28
2065663010	1.0M +/- 0.05M	28
2065663015	1.5M +/- 0.08M	28
2065663020	2.0M +/- 0.08M	28
2065663025	2.5M +/- 0.08M	28
2065663030	3.0M +/- 0.08M	26

*CABLES MAY NOT MEET ALL SI PARAMETERS OF IEEE 802.3CD

P/N: 206566XXXX - MOLEX PART NUMBER (SEE P/N TABLE)

X.XM - CABLE LENGTH IN METERS (EXAMPLES - 0.5M, 1.0M, 1.5M)

XXAWG - CABLE SIZE IN AWG

S/N: YYDDDLSSSS - SERIAL NUMBER

YY = YEAR, THE LAST 2 DIGITS OF YEAR

DDD = DAY OF THE YEAR

L = LOCATION

1 - USA

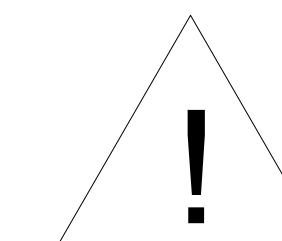
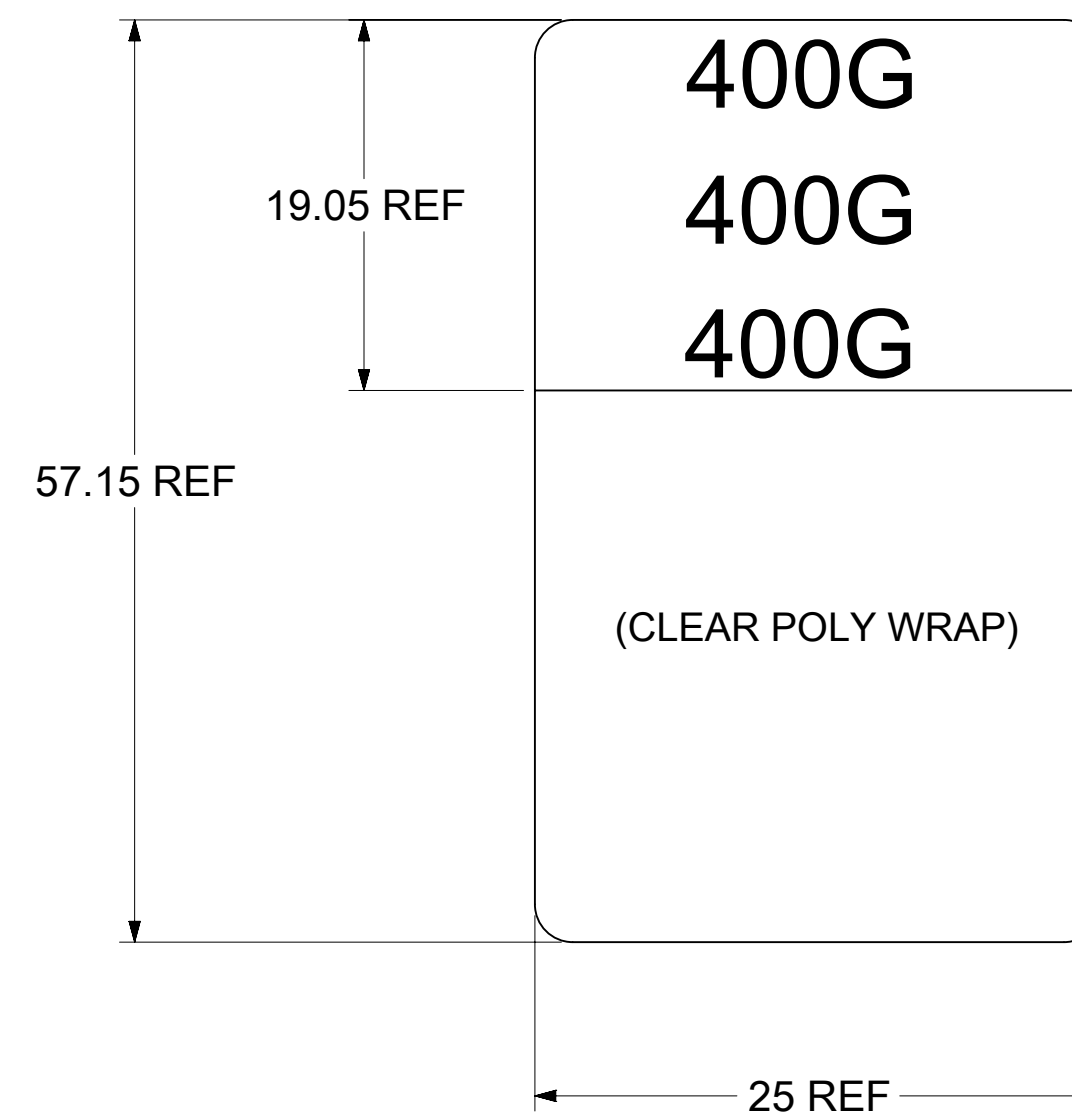
2 - MEXICO

3 - CHINA

4 - PHILIPPINES

SSSS = SERIAL NUMBER (0001-9999)

SPEED LABEL



TENTATIVE PROPOSAL
PENDING ELECTRICAL QUALIFICATION

FUNCTIONAL SYMBOLS FA = 0 FC = 0 FP = 0 DIVISIONAL SYMBOLS	THIS DRAWING CONTAINS INFORMATION THAT IS PROPRIETARY TO MOLEX ELECTRONIC TECHNOLOGIES, LLC AND SHOULD NOT BE USED WITHOUT WRITTEN PERMISSION		CURRENT REV DESC: SHEET3 : IN ZONE G8 TEXT "			
	DIMENSION UNITS	SCALE	*CABLES MAY NOT MEET ALL SI PARAMETERS OF IEEE 802.3CD " ADDED.			
	mm	1:1	GENERAL TOLERANCES (UNLESS SPECIFIED)		EC NO: 746689 DRWN: KIRANG5 2023/04/12 CHK'D: VITTAD 2023/04/14 APPR: SCHANNARAYAN 2023/04/19	
	ANGULAR TOL ± 5.0°		INITIAL REVISION:		DOCUMENT NUMBER 2065661000	
4 PLACES ±		DRWN: GWATERWORTH 2017/12/07		DOC TYPE	DOC PART	REVISION
3 PLACES ±		APPR: ADTUCKER 2017/12/14		PSD	000	H
2 PLACES ± 0.13		DRAFT WHERE APPLICABLE		MATERIAL NUMBER		CUSTOMER
1 PLACE ± 0.25		THIRD ANGLE PROJECTION		SEE P/N TABLE		GENERAL MARKET
0 PLACES ±		MUST REMAIN WITHIN DIMENSIONS		DRAWING	SERIES	SHEET NUMBER
				D-SIZE	206566	3 OF 3