

# EV-T1G2K-1AC32A-12,0M10ASBK01 - AC charging cable



1628418

<https://www.phoenixcontact.com/us/products/1628418>

Please be informed that the data shown in this PDF document is generated from our online catalog. Please find the complete data in the user documentation. Our general terms of use for downloads are valid.



CHARX connect comfort, AC charging cable, with vehicle charging connector and open cable end, for charging electric vehicles (EV) with alternating current (AC) via type 1 vehicle charging inlets, with protective cap, with locking option for padlock, Type 1, SAE J1772, 32 A / 250 V (AC), PHOENIX CONTACT logo, cable: 12 m, black, straight, NOTE: Signal transmission is dependent on the cable length and may be adversely affected.

## Product description

AC charging cable with vehicle charging connector and free cable end for charging electric vehicles (EV) with alternating current (AC) via type 1 vehicle charging inlets, for installation at charging stations for e-mobility (EVSE)

## Your advantages

- Complete product range
- Convenient handling due to the ergonomic, triple award-winning design
- Available with your logo on request - for consistent branding of your charging station
- Longitudinal water tightness reliably prevents water ingress
- Developed and produced in accordance with the IATF 16949 automotive standard and ISO 9001
- Tested in accordance with automotive standards LV124, LV214, and LV215-2
- Tested in accordance with EV Ready 37 requirements
- Laser-marked mating face in accordance with DIN EN 17186

## Commercial data

Item number	1628418
Packing unit	1 pc
Minimum order quantity	1 pc
Sales key	EM01
Product key	XWBAAA
GTIN	4055626446561
Weight per piece (including packing)	5,460 g
Weight per piece (excluding packing)	5,460 g
Customs tariff number	85444290
Country of origin	PL

# EV-T1G2K-1AC32A-12,0M10ASBK01 - AC charging cable



1628418

<https://www.phoenixcontact.com/us/products/1628418>

## Technical data

### Product properties

Product type	AC charging cable
Product family	CHARX connect comfort
Application	for charging electric vehicles (EV) with alternating current (AC) via type 1 vehicle charging inlets for installation at charging stations for electromobility (EVSE)
Type	AC charging cable with vehicle charging connector and open cable end
Design	with protective cap with locking option for padlock
Affixed logo	PHOENIX CONTACT logo

### Data management status

Article revision	07
Charging mode	AC level 2
Charging standard	Type 1

### Electrical properties

Type of signal transmission	Pulse width modulation
Note on the connection method	Crimp connection, cannot be disconnected
Coding	480 $\Omega$ (Lever actuated) 150 $\Omega$ (Lever not actuated)
Type of charging current	AC single-phase
Charging power	8 kW
Charging current	32 A

### Power contact

Number	3 (L1, N, PE)
Rated voltage	250 V AC
Rated current	32 A

### Signal contact

Number	2 (CP, CS)
Rated voltage	30 V AC
Rated current	2 A

### Dimensions

#### Vehicle charging connector

Width	58 mm
Height	151.1 mm
Depth	236.1 mm

### Material specifications

# EV-T1G2K-1AC32A-12,0M10ASBK01 - AC charging cable



1628418

<https://www.phoenixcontact.com/us/products/1628418>

Color (Housing)	black (9005)
Color (Handle area)	black (9005)
Color (Actuating element)	silver grey (7001)
Color (Mating face)	black (9005)
Color (Protective cap)	black (9005)
Color (Cable)	black (9005)
Material (Vehicle charging connector)	Plastic
Material (Cable outer sheath)	TPE-U
Material (Contact surface)	Silver

## Cable/line

Cable length	12 m
Wiring standards/regulations	UL 62 FFSO7.E343212
Cable weight	max. 385.00 kg/km
Cable type	straight
Cable structure	3 x 10 AWG + 1 x 18 AWG
External cable diameter	17.00 mm ±0.4 mm
Outer sheath, material	TPE
Stripping length of the sheath	70 mm ±5 mm
Stripping length	70 mm ±5 mm
Cable resistance	≤ 0.00351 Ω/m (based on a power core, at an ambient temperature of 20°C)
Bending radius	min. 255 mm (15x diameter)

## Mechanical properties

### Mechanical data

Insertion/withdrawal cycles	> 10000
Insertion force	< 75 N
Withdrawal force	< 75 N

## Environmental and real-life conditions

### Ambient conditions

Degree of protection (Vehicle charging inlet)	IP44 (plugged in; when plugged in and ready to operate, the degree of protection is only ensued if both plug-in components are original products from Phoenix Contact or suitable standard-compliant products)
Degree of protection (Protective cap)	IP54
Ambient temperature (operation)	-30 °C ... 50 °C
Ambient temperature (storage/transport)	-40 °C ... 80 °C
Altitude	5000 m (above sea level)

## Standards and regulations

Connection in accordance with standard

# EV-T1G2K-1AC32A-12,0M10ASBK01 - AC charging cable



1628418

<https://www.phoenixcontact.com/us/products/1628418>

Normative cable length restrictions	NOTE: Signal transmission is dependent on the cable length and may be adversely affected.
	The cable capacity must therefore be assessed in the overall system of the charging station and must not exceed 3100 pF (IEC 61851-1, Annex A, Table A.2, Note d).
	Interference-free V2G communication in accordance with ISO 15118 is not guaranteed for cable lengths over 10 m (ISO IEC 15118-3, A.11.3, Table A.11).
	Cable management is required in the US if the cable length exceeds 7.5 m (IEC 61851-1).

## Standards

Standards/regulations	SAE J1772
-----------------------	-----------

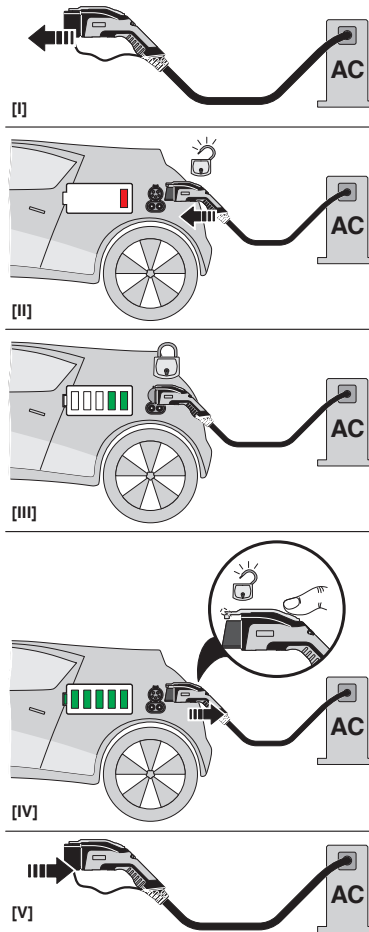
# EV-T1G2K-1AC32A-12,0M10ASBK01 - AC charging cable

1628418

<https://www.phoenixcontact.com/us/products/1628418>

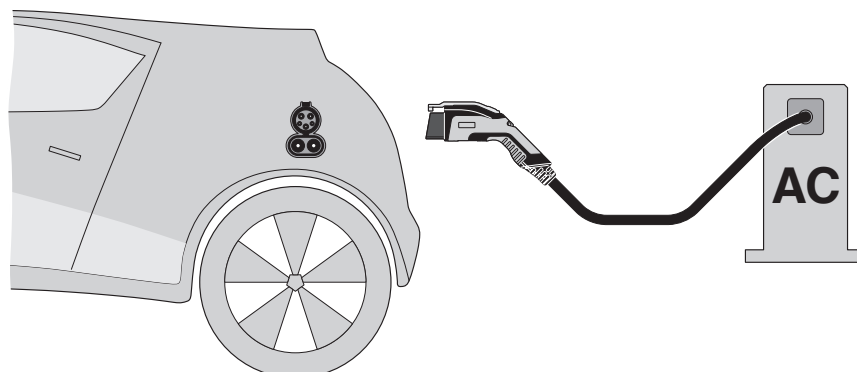
## Drawings

### Schematic diagram



## Operating instructions

### Schematic diagram



## Terminology definition

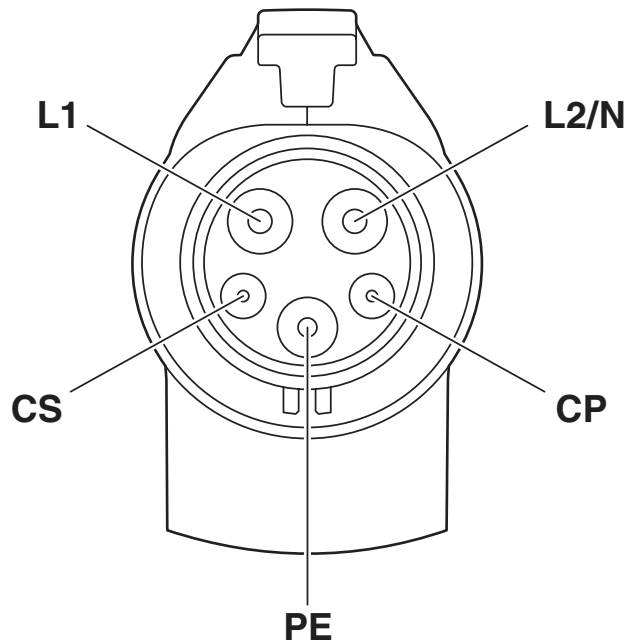
# EV-T1G2K-1AC32A-12,0M10ASBK01 - AC charging cable



1628418

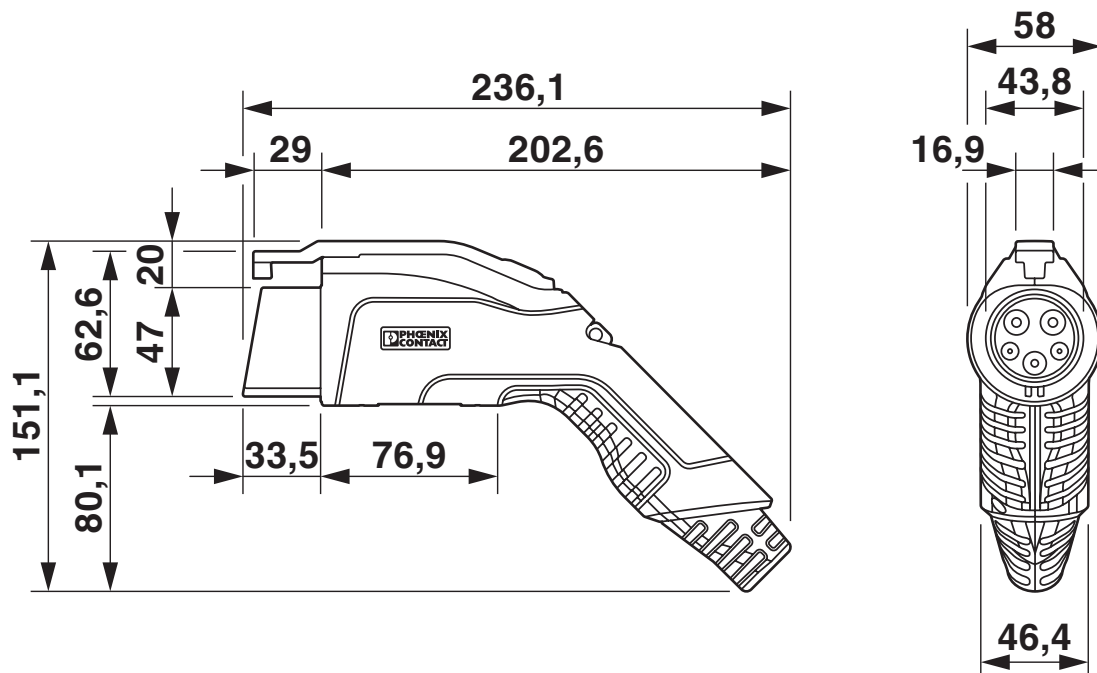
<https://www.phoenixcontact.com/us/products/1628418>

Connection diagram



Pin assignment of the Vehicle Connector

Dimensional drawing



Make sure that the vehicle charging connector is placed in an appropriate charging connector holder, which ensures a minimum protection rating of IP24 in accordance with IEC 61851-1, for the entire time between charging. To create this charging connector holder, use the dimensions of the vehicle charging connector. Detailed dimensions can also be found in the Download area.

# EV-T1G2K-1AC32A-12,0M10ASBK01 - AC charging cable




1628418

<https://www.phoenixcontact.com/us/products/1628418>

## Approvals

To download certificates, visit the product detail page: <https://www.phoenixcontact.com/us/products/1628418>

 <b>cULus Recognized</b> Approval ID: E473195-20160303		Nominal voltage $U_N$	Nominal current $I_N$	Cross section AWG	Cross section $\text{mm}^2$
		250 V	32 A	- 10	-

# EV-T1G2K-1AC32A-12,0M10ASBK01 - AC charging cable



1628418

<https://www.phoenixcontact.com/us/products/1628418>

## Classifications

### ECLASS

ECLASS-11.0	27144705
ECLASS-12.0	27144705
ECLASS-13.0	27144705

### ETIM

ETIM 9.0	EC002897
----------	----------

### UNSPSC

UNSPSC 21.0	39121500
-------------	----------



# EV-T1G2K-1AC32A-12,0M10ASBK01 - AC charging cable



1628418

<https://www.phoenixcontact.com/us/products/1628418>

## Environmental product compliance

### EU RoHS

Fulfills EU RoHS substance requirements	Yes
Exemption	6(c)

### China RoHS

Environment friendly use period (EFUP)	EFUP-10
	An article-related China RoHS declaration table can be found in the download area for the respective article under "Manufacturer declaration". For all articles with EFUP-E, no China RoHS declaration table issued and required.

### EU REACH SVHC

REACH candidate substance (CAS No.)	Lead(CAS: 7439-92-1)
SCIP	220aba1b-8906-48d3-b616-4a6e4c330f1a

Phoenix Contact 2024 © - all rights reserved  
<https://www.phoenixcontact.com>

Phoenix Contact USA  
586 Fulling Mill Road  
Middletown, PA 17057, United States  
(+717) 944-1300  
[info@phoenixcon.com](mailto:info@phoenixcon.com)