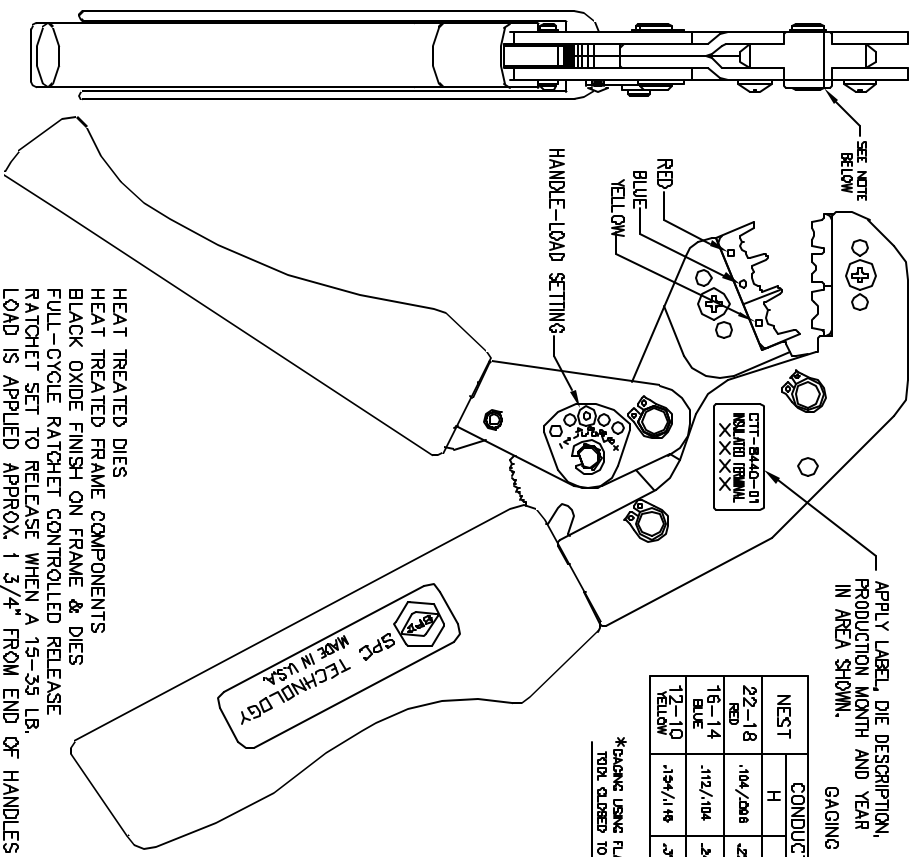
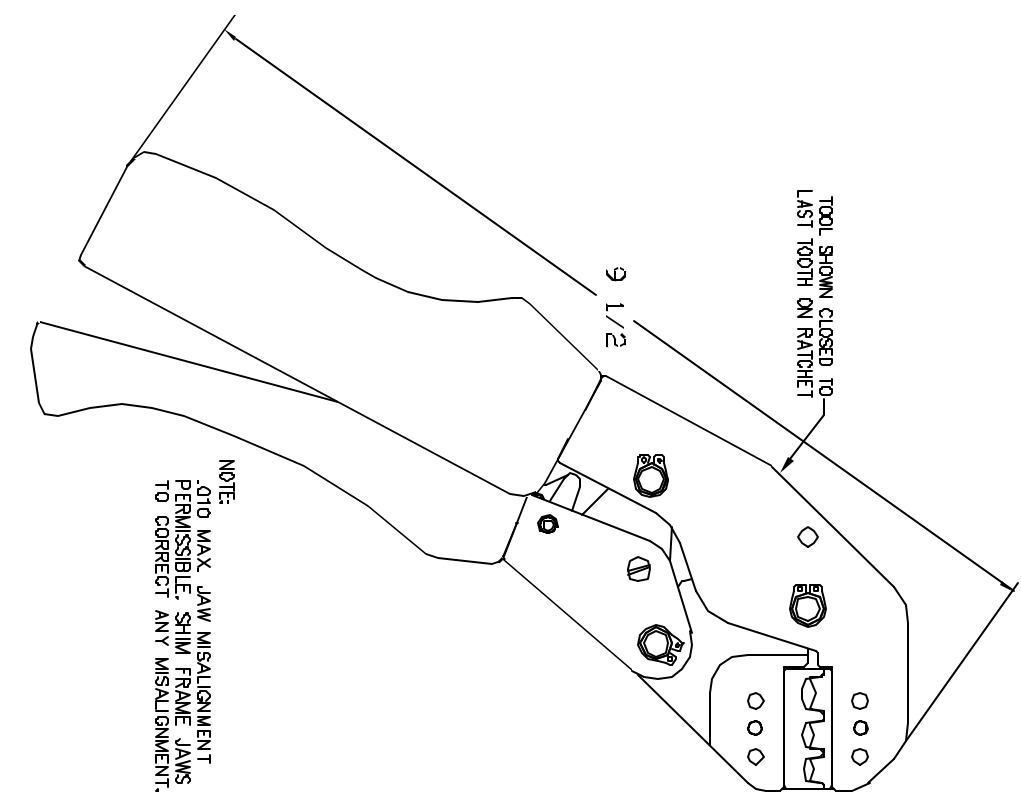


ALL RIGHTS RESERVED. NO PORTION OF THIS PUBLICATION, WHETHER IN WHOLE OR IN PART CAN BE REPRODUCED WITHOUT THE EXPRESS WRITTEN CONSENT OF SPC TECHNOLOGY.

REVISIONS		DOC. NO.	SPC-F005	Effective	12/21/08	DCP No.	080	
DCP #	REV	DESCRIPTION	DRAWN	DATE	CHECKED	DATE	APPRVD	DATE
149	B	Updated	J.W.M.	11/6/97	J.C.	11/17/97	B.B.	11/17/97
1322	C	Electronic file renamed	J.W.M.	2/11/02	J.C.	2/21/02	J.C.	2/21/02



NEST	CONDUCTOR		INSULATION	
	H	W	H	W
22-18	.104/208	.220 NOM.	.140/130	.240 NOM.
RED				
16-14	.112/104	.240 NOM.	.170/180	.260 NOM.
BLUE				
12-10	.124/118	.210 NOM.	.210/200	.300 NOM.
YELLOW				

*GAGING USING FLATBED EQ/NO EQ PINS WITH TOOL CLOSED TO LAST TOOTH OF RATCHET

NOTE:
 .010 MAX. JAW MISALIGNMENT PERMISSIBLE; SHIM FRAME JAWS TO CORRECT ANY MISALIGNMENT.

HEAT TREATED DIES
 HEAT TREATED FRAME COMPONENTS
 BLACK OXIDE FINISH ON FRAME & DIES
 FULL-CYCLE RATCHET CONTROLLED RELEASE
 RATCHET SET TO RELEASE WHEN A 15-35 LB. LOAD IS APPLIED APPROX. 1 3/4" FROM END OF HANDLES
 ORANGE MOLDED TEXTURED PLASTIC GRIPS



DRAWING TITLE: **INSULATED TERMINAL CRIMP TOOL**

DISCLAIMER
 ALL DIMENSIONS AND TECHNICAL INFORMATION CONTAINED HEREIN ARE BASED UPON INFORMATION AND/OR TESTS WE BELIEVE TO BE ACCURATE AND RELIABLE. SINCE CONDITIONS OF USE ARE BEYOND OUR CONTROL, THE USER SHALL OBTAIN THE SERVICES OF THE PRODUCT OF USE FOR THE INTENDED USE AND ASSUME ALL RISK AND LIABILITY WHATSOEVER IN CONNECTION THEREWITH.

UNLESS OTHERWISE SPECIFIED, DIMENSIONS ARE FOR REFERENCE PURPOSES ONLY.

DRAWN BY: J Cole
 CHECKED BY: JOHN COLE
 APPROVED BY: BRETT BRAATZ

DATE: 12/18/91
 DATE: 11/17/97
 DATE: 11/17/97

SIZE DWG. NO. A CTT-8440-01
 ELECTRONIC FILE 84N1442.dwg
 SCALE: NTS U.O.M.: INCHES [mm]
 SHEET: 1 OF 1