

### Metallized Polypropylene Film Capacitor

Type: **ECWF(S)**

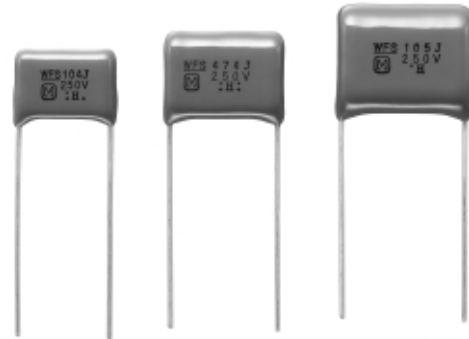
Designed for high current and frequency applications.

#### ■ Features

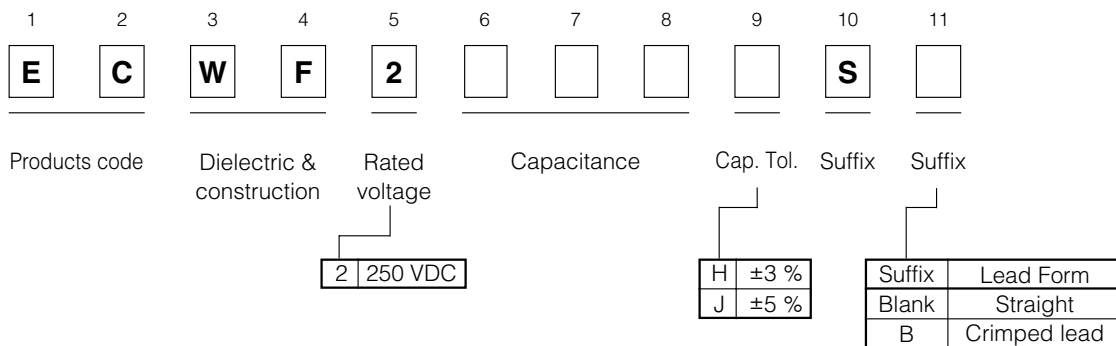
- Low-loss
- Excellent frequency characteristics
- Flame retardant epoxy resin coating
- RoHS directive compliant

#### ■ Recommended Applications

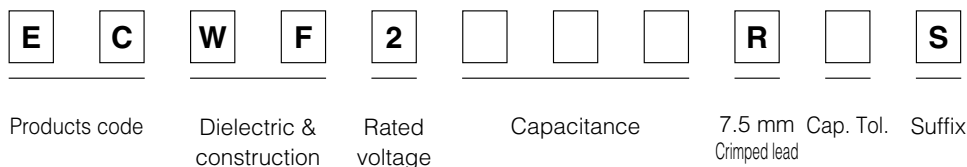
- High frequency and high current circuits (TVs, Monitors, Power Supplies, etc.)



#### ■ Explanation of Part Numbers



#### ● Explanation of Part Numbers for Odd Size Taping

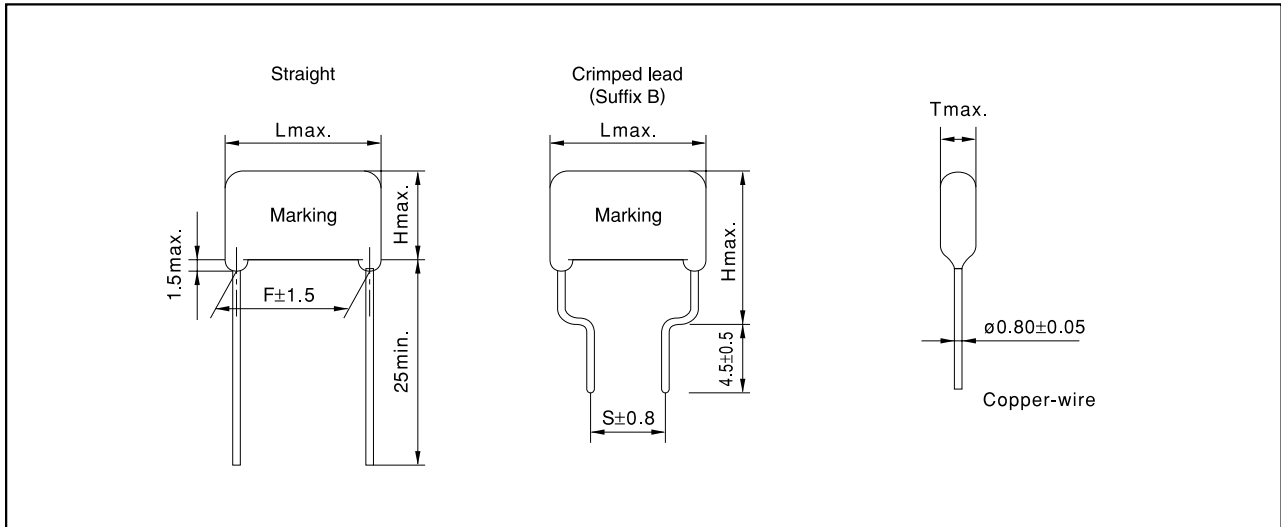


#### ■ Specifications

Category temp. range (Including temperature-rise on unit surface)	-25 °C to +105 °C
Rated voltage	250 VDC (Derating of rated voltage by 1.25 %/°C at more than 85 °C)
Capacitance range	0.068 μF to 3.3 μF
Capacitance tolerance	±3 % (H), ±5 % (J)
Dissipation factor (tan δ)	0.068 μF to 0.51 μF : tan δ ≤ 0.05 % 0.56 μF to 3.3 μF : tan δ ≤ 0.1 % 0.068 μF to 3.3 μF : tan δ ≤ 0.2 % (20 °C, 10 kHz)
Withstand voltage	Between terminals : Rated volt. (VDC) × 150 % 60 s
Insulation resistance (IR)	C ≤ 0.33 μF : IR ≥ 9000 MΩ C > 0.33 μF : IR ≥ 3000 MΩ · μF (20 °C, 100 VDC, 60 s)

\* In case of applying voltage in alternating current (50 Hz or 60 Hz sine wave) to a capacitor with DC rated voltage, please refer to the page of "Permissible voltage (R.M.S) in alternating current corresponding to DC rated voltage".

### ■Dimensions in mm (not to scale)

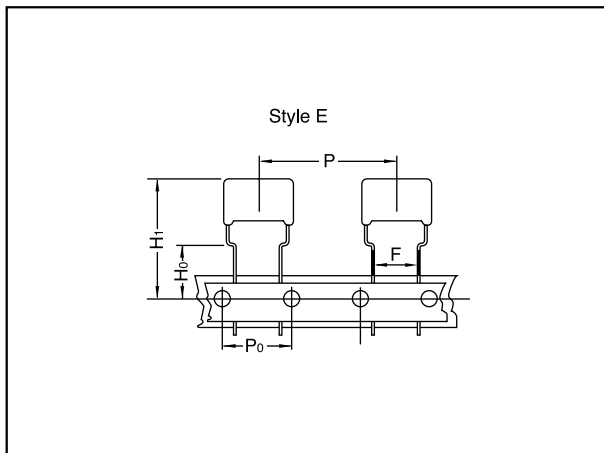


### ■Packaging Specifications for Bulk Package

Packing quantity: 100 pcs./bag

### ■Taping Specifications for Automatic Insertion

#### ●Taping style



※Refer to the page of taping specifications.

#### ●Packaging Specification

Type	Rated volt.	Cap. range (μF)	Taping style					Packing	suffix	
			AD	AS	B	C	D			E
ECWF(S)	250 VDC	0.068 to 1.5						○	Ammo	R( ) S

#### ●Lead Spacing

Style	Lead Spacing
E	7.5 mm

※See the column "Rating, Dimensions & Quantity Box" for packing quantity.

### ■ Rating & Dimensions

● Rated voltage : 250 VDC (150 Vrms, 250 Vo-p) Cap. tolerance : ±3 % (H), ±5 % (J)

Part No.	Cap. ( $\mu$ F)	Dimensions (mm)							Quantity
		L <sub>max</sub>	T <sub>max</sub>	H <sub>max</sub>		F		S	Ammo 7.5 mm
				Straight	Crimped lead	Straight	Crimped lead	$\phi$ d	
ECWF2683□S( )	0.068	15.5	6.0	12.5	17.5	12.5	7.5	0.80	500
ECWF2753□S( )	0.075	15.5	6.0	13.0	18.0	12.5	7.5	0.80	
ECWF2823□S( )	0.082	15.5	6.5	13.0	18.0	12.5	7.5	0.80	
ECWF2913□S( )	0.091	15.5	5.5	12.5	17.5	12.5	7.5	0.80	600
ECWF2104□S( )	0.10	15.5	6.0	12.5	17.5	12.5	7.5	0.80	500
ECWF2114□S( )	0.11	15.5	6.0	13.0	18.0	12.5	7.5	0.80	
ECWF2124□S( )	0.12	15.5	6.5	13.0	18.0	12.5	7.5	0.80	
ECWF2134□S( )	0.13	15.5	6.5	13.5	18.5	12.5	7.5	0.80	
ECWF2154□S( )	0.15	15.5	6.0	12.5	17.5	12.5	7.5	0.80	
ECWF2164□S( )	0.16	15.5	6.0	12.5	17.5	12.5	7.5	0.80	
ECWF2184□S( )	0.18	15.5	6.0	13.0	18.0	12.5	7.5	0.80	
ECWF2204□S( )	0.20	15.5	6.5	13.5	18.5	12.5	7.5	0.80	
ECWF2224□S( )	0.22	15.5	6.5	13.5	18.5	12.5	7.5	0.80	
ECWF2244□S( )	0.24	15.5	7.0	13.5	18.5	12.5	7.5	0.80	
ECWF2274□S( )	0.27	18.0	6.5	13.0	18.0	15.0	10.0	0.80	
ECWF2304□S( )	0.30	18.0	6.5	13.5	18.5	15.0	10.0	0.80	
ECWF2334□S( )	0.33	18.0	7.0	13.5	18.5	15.0	10.0	0.80	
ECWF2364□S( )	0.36	18.0	7.0	14.0	19.0	15.0	10.0	0.80	
ECWF2394□S( )	0.39	18.0	7.5	14.0	19.0	15.0	10.0	0.80	
ECWF2434□S( )	0.43	18.0	7.5	14.5	19.5	15.0	10.0	0.80	
ECWF2474□S( )	0.47	18.0	8.0	15.0	20.0	15.0	10.0	0.80	
ECWF2514□S( )	0.51	18.0	8.5	15.0	20.0	15.0	10.0	0.80	
ECWF2564□S( )	0.56	18.0	8.5	15.5	20.5	15.0	10.0	0.80	
ECWF2624□S( )	0.62	18.0	9.0	16.0	21.0	15.0	10.0	0.80	300
ECWF2684□S( )	0.68	18.0	9.5	16.0	21.0	15.0	10.0	0.80	
ECWF2754□S( )	0.75	20.0	9.0	16.0	21.0	17.0	12.5	0.80	
ECWF2824□S( )	0.82	20.0	9.5	16.0	21.0	17.0	12.5	0.80	
ECWF2914□S( )	0.91	20.0	10.0	16.5	21.5	17.0	12.5	0.80	
ECWF2105□S( )	1.0	20.0	10.5	17.0	22.0	17.0	12.5	0.80	
ECWF2115□S( )	1.1	20.0	11.0	17.5	22.5	17.0	12.5	0.80	
ECWF2125□S( )	1.2	20.0	11.0	18.0	23.0	17.0	12.5	0.80	
ECWF2135□S( )	1.3	23.0	10.5	17.0	22.0	20.0	12.5	0.80	
ECWF2155□S( )	1.5	23.0	11.0	18.0	23.0	20.0	12.5	0.80	
ECWF2165□S( )	1.6	23.0	11.5	18.0	23.0	20.0	12.5	0.80	—
ECWF2185□S( )	1.8	23.0	12.0	19.5	24.5	20.0	12.5	0.80	
ECWF2205□S( )	2.0	23.0	12.5	20.0	25.0	20.0	12.5	0.80	
ECWF2225□S( )	2.2	23.0	14.0	20.5	25.5	20.0	12.5	0.80	
ECWF2245□S( )	2.4	23.0	14.5	21.0	26.0	20.0	12.5	0.80	
ECWF2275□S( )	2.7	28.0	12.5	20.0	25.0	25.0	15.0	0.80	
ECWF2305□S( )	3.0	28.0	14.0	20.5	25.5	25.0	15.0	0.80	
ECWF2335□S( )	3.3	28.0	14.5	21.5	26.5	25.0	15.0	0.80	

Suffix for lead crimped  
 Cap. tol. code

# Mouser Electronics

Authorized Distributor

Click to View Pricing, Inventory, Delivery & Lifecycle Information:

## Panasonic:

[ECW-F2224JSB](#) [ECW-F2104HS](#) [ECW-F2104HSB](#) [ECW-F2104JS](#) [ECW-F2104JSB](#) [ECW-F2104RHS](#) [ECW-F2104RJS](#) [ECW-F2105HS](#) [ECW-F2105HSB](#) [ECW-F2105HSP](#) [ECW-F2105JS](#) [ECW-F2105JSB](#) [ECW-F2105JSP](#) [ECW-F2105RHS](#) [ECW-F2105RJS](#) [ECW-F2114HS](#) [ECW-F2114HSB](#) [ECW-F2114JS](#) [ECW-F2114JSB](#) [ECW-F2114RHS](#) [ECW-F2114RJS](#) [ECW-F2115HS](#) [ECW-F2115HSB](#) [ECW-F2115HSP](#) [ECW-F2115JS](#) [ECW-F2115JSB](#) [ECW-F2115JSP](#) [ECW-F2115RHS](#) [ECW-F2115RJS](#) [ECW-F2124HS](#) [ECW-F2124HSB](#) [ECW-F2124JS](#) [ECW-F2124JSB](#) [ECW-F2124RHS](#) [ECW-F2124RJS](#) [ECW-F2125HS](#) [ECW-F2125HSB](#) [ECW-F2125HSP](#) [ECW-F2125JS](#) [ECW-F2125JSB](#) [ECW-F2125JSP](#) [ECW-F2125JSR](#) [ECW-F2125RHS](#) [ECW-F2125RJS](#) [ECW-F2134HS](#) [ECW-F2134HSB](#) [ECW-F2134JS](#) [ECW-F2134JSB](#) [ECW-F2134RHS](#) [ECW-F2134RJS](#) [ECW-F2135HS](#) [ECW-F2135HSB](#) [ECW-F2135HSP](#) [ECW-F2135JS](#) [ECW-F2135JSB](#) [ECW-F2135JSP](#) [ECW-F2135RHS](#) [ECW-F2135RJS](#) [ECW-F2154HS](#) [ECW-F2154HSB](#) [ECW-F2154JS](#) [ECW-F2154RHS](#) [ECW-F2154RJS](#) [ECW-F2155HS](#) [ECW-F2155HSB](#) [ECW-F2155HSP](#) [ECW-F2155JS](#) [ECW-F2155JSB](#) [ECW-F2155JSP](#) [ECW-F2155RHS](#) [ECW-F2155RJS](#) [ECW-F2164HS](#) [ECW-F2164HSB](#) [ECW-F2164JS](#) [ECW-F2164JSB](#) [ECW-F2164RHS](#) [ECW-F2165HS](#) [ECW-F2165JS](#) [ECW-F2184HS](#) [ECW-F2184HSB](#) [ECW-F2184JS](#) [ECW-F2184JSB](#) [ECW-F2184RHS](#) [ECW-F2184RJS](#) [ECW-F2185HS](#) [ECW-F2185JS](#) [ECW-F2204HS](#) [ECW-F2204HSB](#) [ECW-F2204JS](#) [ECW-F2204JSB](#) [ECW-F2204RHS](#) [ECW-F2204RJS](#) [ECW-F2205HS](#) [ECW-F2205JS](#) [ECW-F2224HS](#) [ECW-F2224HSB](#) [ECW-F2224JS](#) [ECW-F2224RHS](#) [ECW-F2224RJS](#) [ECW-F2225HS](#)