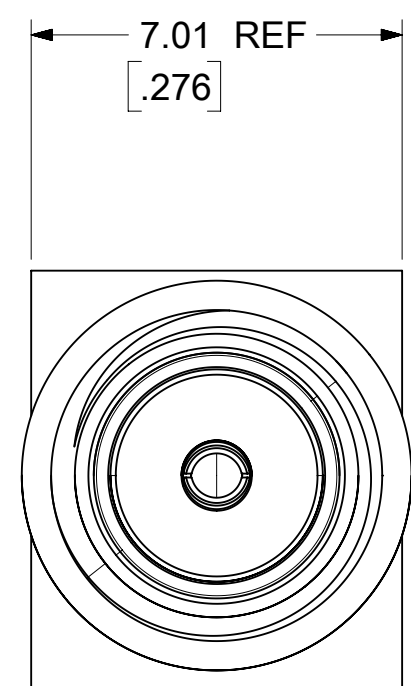
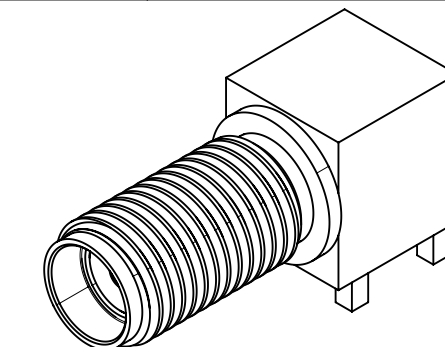


MATERIALS AND FINISHES

BODY, HOUSING BRASS  
PLATED NICKEL

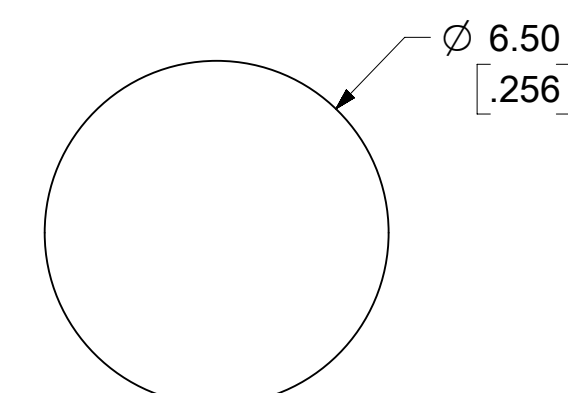
CENTER CONTACT BERYLLIUM COPPER  
PLATED GOLD

INSULATOR TEFLON

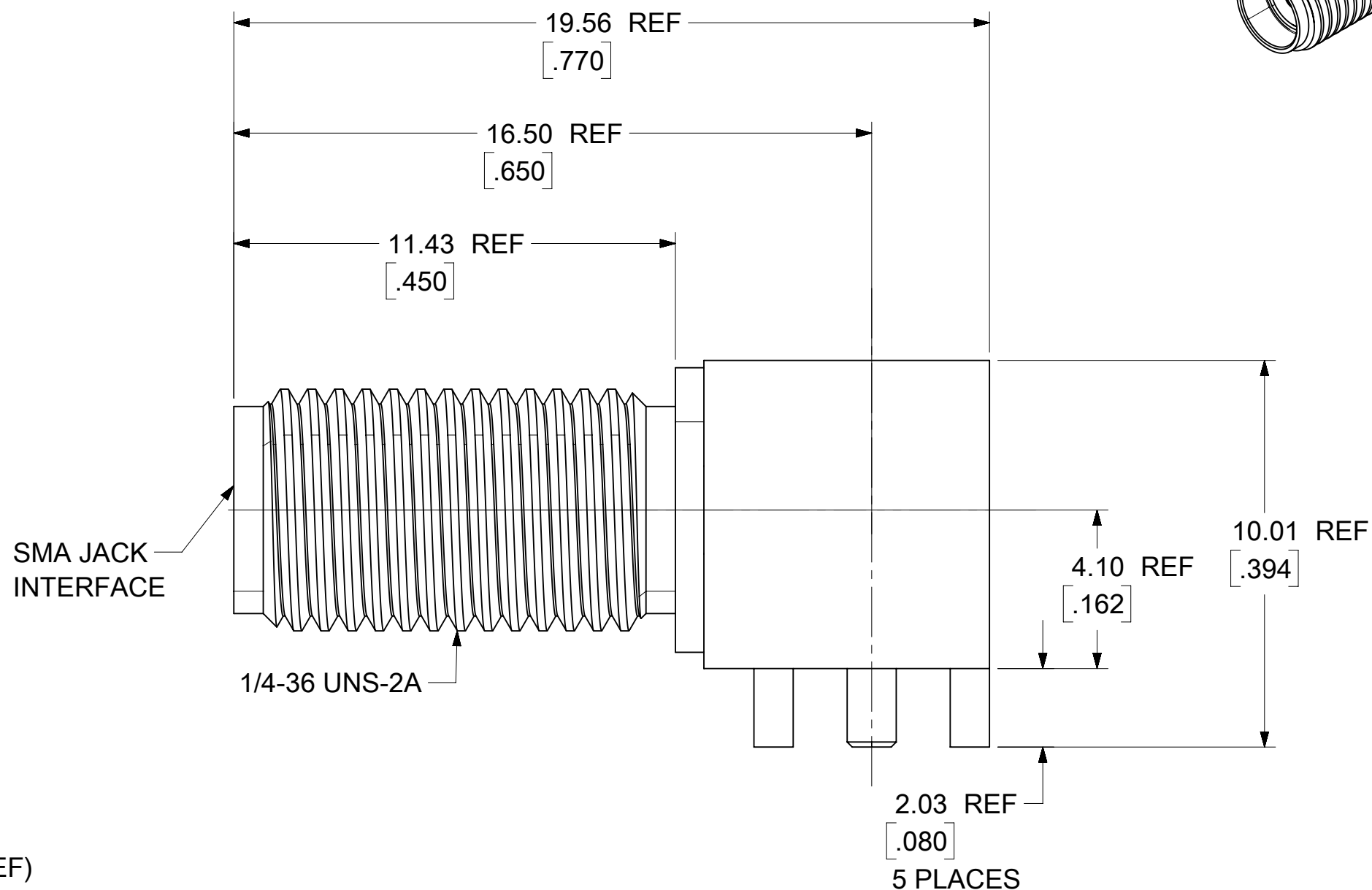


7.01 REF  
[.276]

1.02 SQ  
[.040]  
4 PLACES (REF)  
Ø 1.27 REF  
[.050]



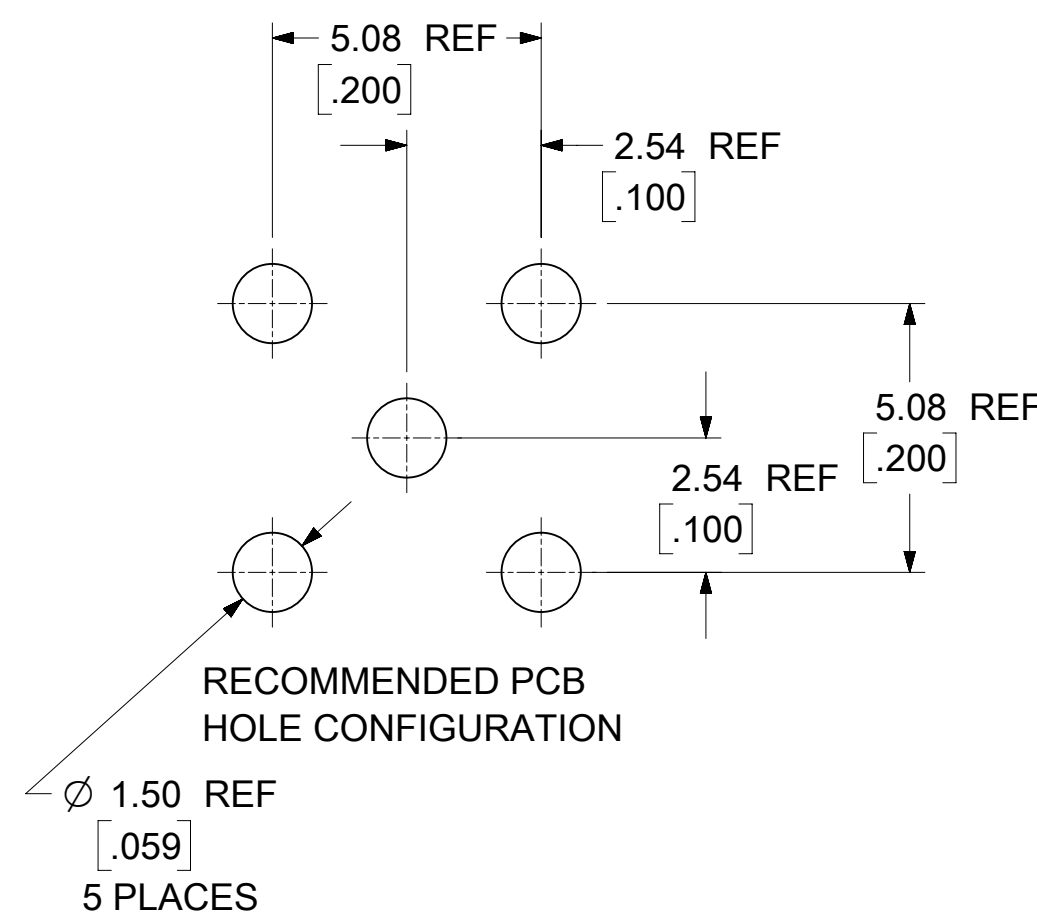
RECOMMENDED PANEL HOLE



SMA JACK INTERFACE

1/4-36 UNS-2A

19.56 REF  
[.770]  
16.50 REF  
[.650]  
11.43 REF  
[.450]  
10.01 REF  
[.394]  
4.10 REF  
[.162]  
2.03 REF  
[.080]  
5 PLACES



RECOMMENDED PCB HOLE CONFIGURATION

Ø 1.50 REF  
[.059]  
5 PLACES

THIS DRAWING CONTAINS INFORMATION THAT IS PROPRIETARY TO MOLEX ELECTRONIC TECHNOLOGIES, LLC AND SHOULD NOT BE USED WITHOUT WRITTEN PERMISSION											
DIMENSION UNITS		SCALE		CURRENT REV DESC: MIGRATED TO NX						<b>molex</b>	
HYBRID		7:1									
GENERAL TOLERANCES (UNLESS SPECIFIED)				EC NO: 602312		2018/02/20		SMA JACK R/A 50 OHMS FOR PCB SMA-J/R/A/PCB			
ANGULAR TOL ± 2.0°				DRWN: ABN		2018/08/03					
4 PLACES ±				CHK'D: CWEI02		2018/08/03		PRODUCT CUSTOMER DRAWING			
3 PLACES ±				APPR: YCHENG		2018/08/03					
2 PLACES ±				INITIAL REVISION:				DOCUMENT NUMBER		DOC TYPE   DOC PART   REVISION	
1 PLACE ±				DRWN: ELIN		2010/11/24		SD-73251-549		PSD 001 B	
0 PLACES ±				APPR: MHUANG		2010/12/06		MATERIAL NUMBER		CUSTOMER	
DRAFT WHERE APPLICABLE MUST REMAIN WITHIN DIMENSIONS				THIRD ANGLE PROJECTION		DRAWING		SERIES		SHEET NUMBER	
				C-SIZE		73251		732515490		GENERAL MARKET 1 OF 1	

PS-89675-3460	PRODUCT SPEC
MIL-STD-348A, FIG. 310.2	INTERFACE
SPECIFICATION	DESCRIPTION

DOCUMENT STATUS	P1	RELEASE DATE	2018/08/03	06:08:05
-----------------	----	--------------	------------	----------