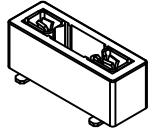
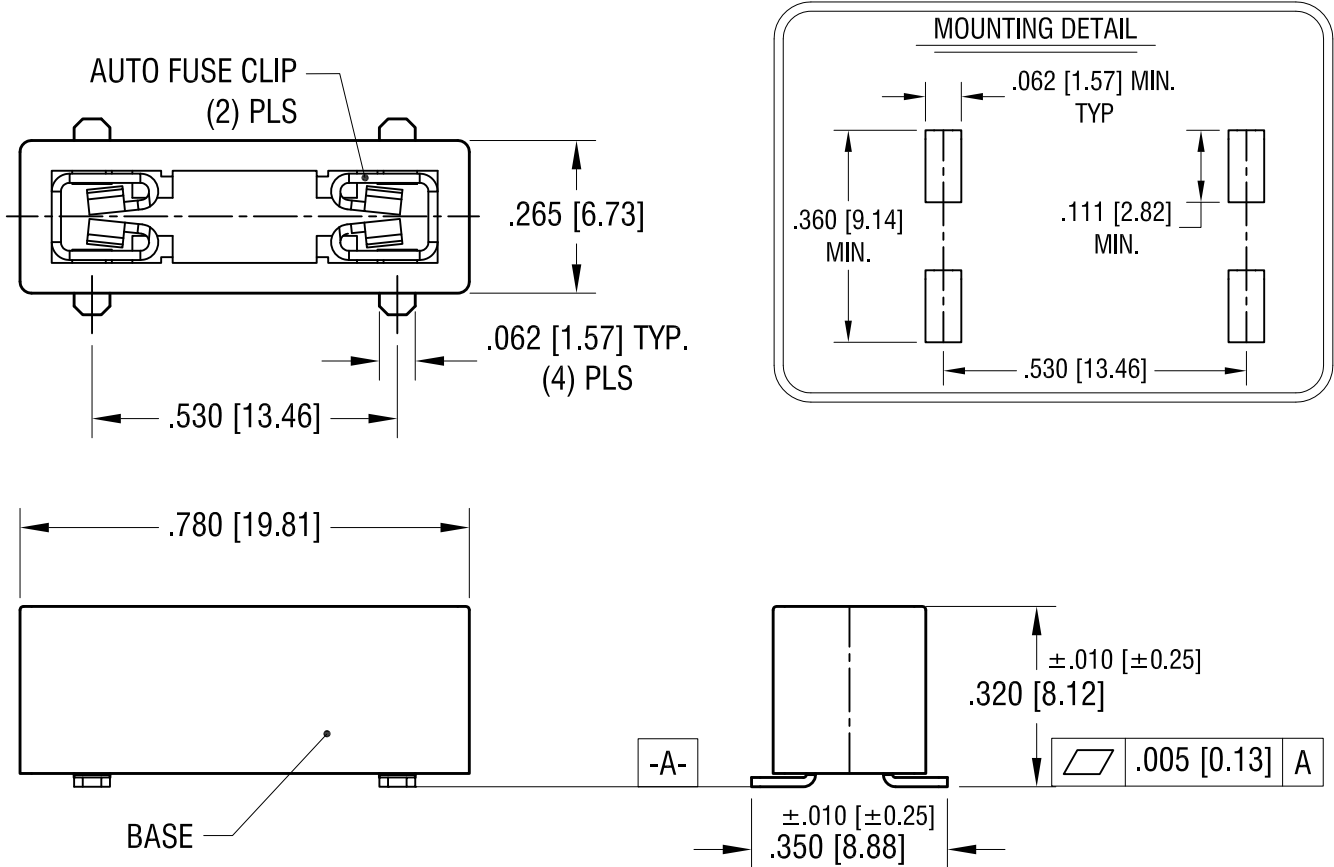


THIS DOCUMENT IS THE PROPERTY OF KEYSTONE ELECTRONICS CORP. AND SHALL NOT BE REPRODUCED, DISTRIBUTED OR USED AS A BASIS FOR MANUFACTURE WITHOUT PRIOR WRITTEN PERMISSION FROM KEYSTONE ELECTRONICS CORP.



ACTUAL SIZE



**NOTE:**

1. BASE: MAT'L: HEAT RESISTANCE NYLON STANYL 46 OR EQUIVALENT (COLOR-YELLOW)
2. CLIP: MAT'L: .016 [0.40] TH'K BRASS, MATTE TIN PLATE
3. FUSE HOLDER SUPPLIED IN MSL-2 PACKAGING

<b>KEYSTONE ELECTRONICS CORP.</b>			
www.keyelco.com • NEW HYDE PARK NY 11040 • Tel (516)328-7500			
PART NAME		SM AUTO-FUSE HOLDER	
MATERIAL		AS NOTED	
FINISH	AS NOTED	DRN BY	NT
		DATE	6.14.16
		APP'D	<b>MIR</b>
		SCALE	3X
TOLERANCES	INCH [MM]	CODE	DWG NO.
DECIMAL	± .005 [± 0.13]	C	<b>3587-20</b>
ANGULAR	± 1°		
UNLESS OTHERWISE SPECIFIED			

2.10.23	CHANGE AS PER ECN 23-019	A
DATE	DESCRIPTION	REV.