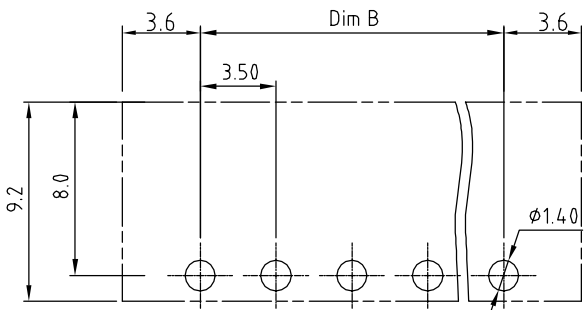
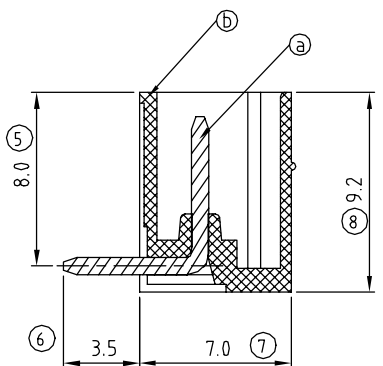
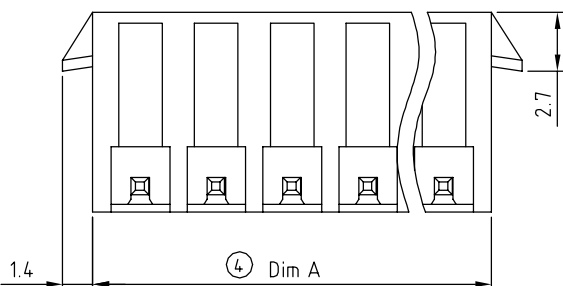
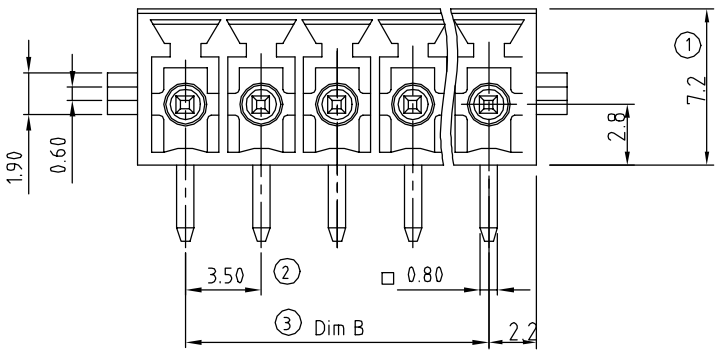


SIGN	DATE	DESCRIPTION	APPROVER
△			
THIS IS CAD DRAWING, DO NOT REVISE MANUALLY!!!			



RECOMMENDED PCB LAYOUT

DIMENSION

Dim A	(N-1)×3.5+4.4
Dim B	(N-1)×3.5

N= NUMBER OF CONCATS

Poles	Tolerance
2P-6P	±0.15
7P-12P	±0.20
13P-18P	±0.25
19P-24P	±0.30

Material:

- Item (a) Male contact pin: Copper Tin plated
- Item (b) Terminal (housing): Thermoplastic (UL94V-0)

Electrical:

- Voltage rating: 300V/300V
- Current rating: 10A/10.5A
- Withstanding Voltage: 1.6 KV/2.5KV
- Operating temperature: -40°C to +115°C
- Soldering temperature: 250°C±10°C/5 Sec
- Safety Approval:

OQ xx 1 2 x 1 x3xx G

- No. OF POLES: 02: 2 POLES, 24: 24 POLES
- Color: 0 Black (RAL9005), 2 Red (RAL3001/D), 3 Orange(RAL2011/P), 4 Yellow(RAL1018/A), 5 Green(RAL6018/T), 6 Blue (RAL5015/A), 8 Grey(RAL7035/D)
- G: Pb<40000ppm, 0300: "@ " Logo, 030A: "ANYTEK" Logo
- Any special item by customer request, please contact sales department.

<b>ANYTEK</b>		<b>CUSTOMER COPY</b>		ALL RIGHTS RESERVED. REPRODUCTION OR ISSUE TO THIRD PARTIES IN ANY FORM WHATSOEVER IS NOT PERMITTED WITHOUT WRITTEN AUTHORITY FROM THE PROPRIETOR. PROPERTY OF ANYTEK TECHNOLOGY CO., LTD			
				TITLE: OQ 3.5mm Series 2P-24P Right angle With latch holder		PART NO.: OQxx12x1x3xxG	
APPROVED	CHECKED	DESIGNED	DRAWN	CUST NO.	Tolerance		
		Aaron 2009.02.23	Jacke 2009.12.09			UNIT: mm	X. ±0.50
						SCALE: NONE	X.X ±0.30
				SHEET: 01/01	REV.: B	X.XX ±0.10	X° ±1°

# Mouser Electronics

Authorized Distributor

Click to View Pricing, Inventory, Delivery & Lifecycle Information:

## Amphenol:

[OQ0212510300G](#) [OQ0312510300G](#) [OQ0412510300G](#) [OQ0512510300G](#) [OQ0612510300G](#) [OQ0712510300G](#)  
[OQ0812510300G](#) [OQ0912510300G](#) [OQ1012510300G](#) [OQ1112510300G](#) [OQ1212510300G](#) [OQ1312510300G](#)  
[OQ1412510300G](#) [OQ1512510300G](#) [OQ1612510300G](#) [OQ1712510300G](#) [OQ1812510300G](#) [OQ1912510300G](#)  
[OQ2012510300G](#) [OQ2112510300G](#) [OQ2212510300G](#) [OQ2312510300G](#) [OQ2412510300G](#) [OQ0212010300G](#)  
[OQ0212810300G](#) [OQ0312810300G](#) [OQ0412810300G](#) [OQ1812010300G](#) [OQ0412010300G](#) [OQ0312010300G](#)  
[OQ2312810300G](#) [OQ2012010300G](#) [OQ2312010300G](#) [OQ1412810300G](#) [OQ1112810300G](#) [OQ1112010300G](#)  
[OQ1212010300G](#) [OQ1612010300G](#) [OQ1712010300G](#) [OQ1512810300G](#) [OQ1912810300G](#) [OQ1012010300G](#)  
[OQ1312010300G](#) [OQ1612810300G](#) [OQ1712810300G](#) [OQ1512010300G](#) [OQ1812810300G](#) [OQ2212810300G](#)  
[OQ2112010300G](#) [OQ1912010300G](#) [OQ2112810300G](#) [OQ2012810300G](#) [OQ2212010300G](#) [OQ2412010300G](#)  
[OQ2412810300G](#) [OQ1412010300G](#) [OQ0712010300G](#) [OQ0812010300G](#) [OQ0712810300G](#) [OQ0512810300G](#)  
[OQ0612010300G](#) [OQ0612810300G](#) [OQ0812810300G](#) [OQ0512010300G](#) [OQ0912010300G](#) [OQ0912810300G](#)  
[OQ1012810300G](#) [OQ1212810300G](#) [OQ1312810300G](#)