

## Embedded Solutions



microSD Cards

# microSDHC/SDXC230I

Transcend's SLC mode solution features excellent endurance and reliability at cost-effective prices. The industrial-grade microSDHC/SDXC230I cards offer wide temperature tolerance (-40°C to 85°C) for industrial use. These cards are the ideal solution for small form factor and write-intensive applications such as medical devices, surveillance systems, and POS terminals. Transcend's memory cards are manufactured using high-quality flash chips and undergo extensive reliability testing at all stages of production.

## Hardware Features

- Compliant with RoHS 2.0 standards
- High-quality 3D NAND flash and SLC mode for exceptional endurance and reliability
- Compliant with Speed Class 10
- Compliant with Video Speed Class 30 (V30)
- Promised operational reliability in a wide temperature range (from -40°C to 85°C)

## Firmware Features

- Built-in ECC (Error Correction Code) functionality
- Wear-Leveling
- Enhanced S.M.A.R.T. function for durability

Note: Transcend's microSDHC/SDXC230I 2~4GB is compliant with SD 3.01 specification and 8~64GB is compliant with SD 5.1 specification.

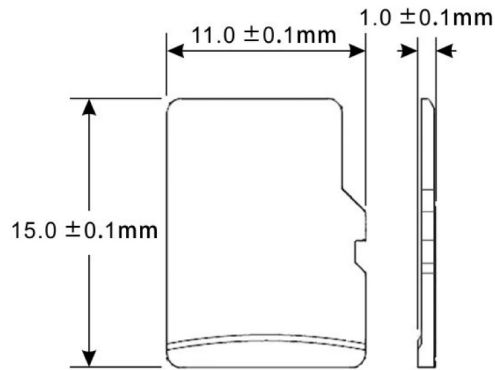
## Ordering Information

2GB	TS2GUSD230I
4GB	TS4GUSD230I
8GB	TS8GUSD230I
16GB	TS16GUSD230I
32GB	TS32GUSD230I
64GB	TS64GUSD230I

## Specifications

<b>Appearance</b>	Dimensions	11 mm x 15 mm x 1 mm (0.43" x 0.59" x 0.04")
	Form Factor	microSD flash card
<b>Storage</b>	Flash Type	3D NAND flash (SLC mode)
	Capacity	2 GB / 4 GB / 8 GB / 16 GB / 32 GB / 64 GB
<b>Operating Environment</b>	Operating Voltage	2.7V ~ 3.6V
	Drop Test	1.5m free fall
	Operating Temperature	Wide Temp. -40°C (-40°F) ~ 85°C (185°F)
	Storage Temperature	-40°C (-40°F) ~ 85°C (185°F)
	Humidity	0% ~ 95%
	Shock	Acceleration: 490 m/s <sup>2</sup> (standard holding time: 11 ms, semi-sine wave, velocity change: 3.44 m/s)
	Vibration (Operating)	20 G (peak-to-peak), 20 Hz ~ 2,000 Hz (frequency)
<b>Power</b>	Power Consumption (Max.)	0.2 watt(s)
<b>Performance</b>	Read Speed (Max.)	up to 100 MB/s
	Write Speed (Max.)	up to 70 MB/s
	Terabytes Written (Max.)	5,800 TBW
<b>Warranty</b>	Certificate	CE / FCC
	Warranty	Three-year Limited Warranty

## Mechanical Dimensions



Product specifications are subject to change without notice. Pictures shown may differ from actual products. Total accessible capacity varies depending on operating environment. Due to the complexity and variety of industrial applications, Transcend cannot guarantee 100% compatibility with all platforms and under all scenarios. For special applications and environments, it is strongly suggested that you contact Transcend beforehand for clarification.