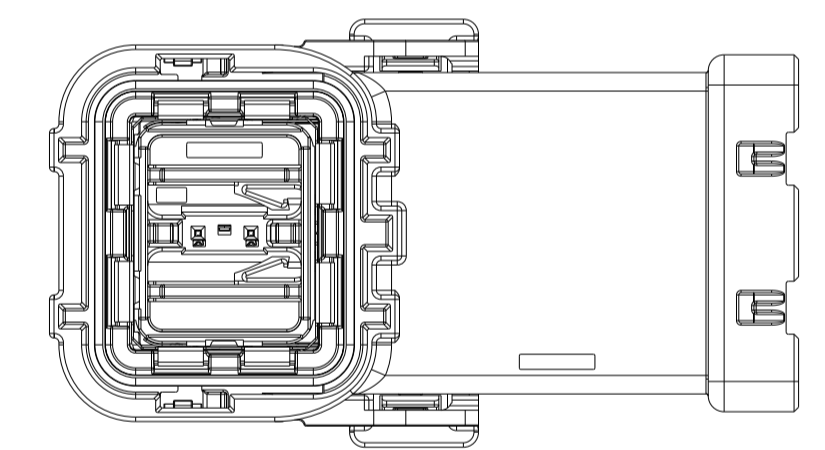
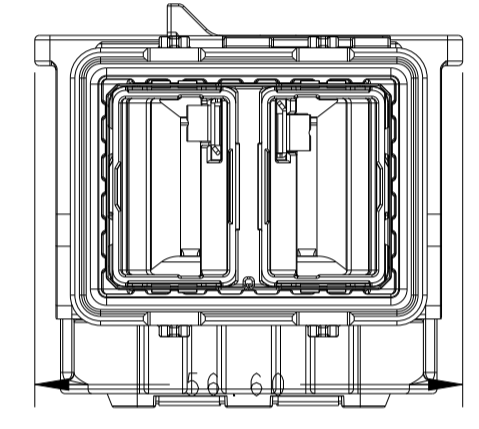
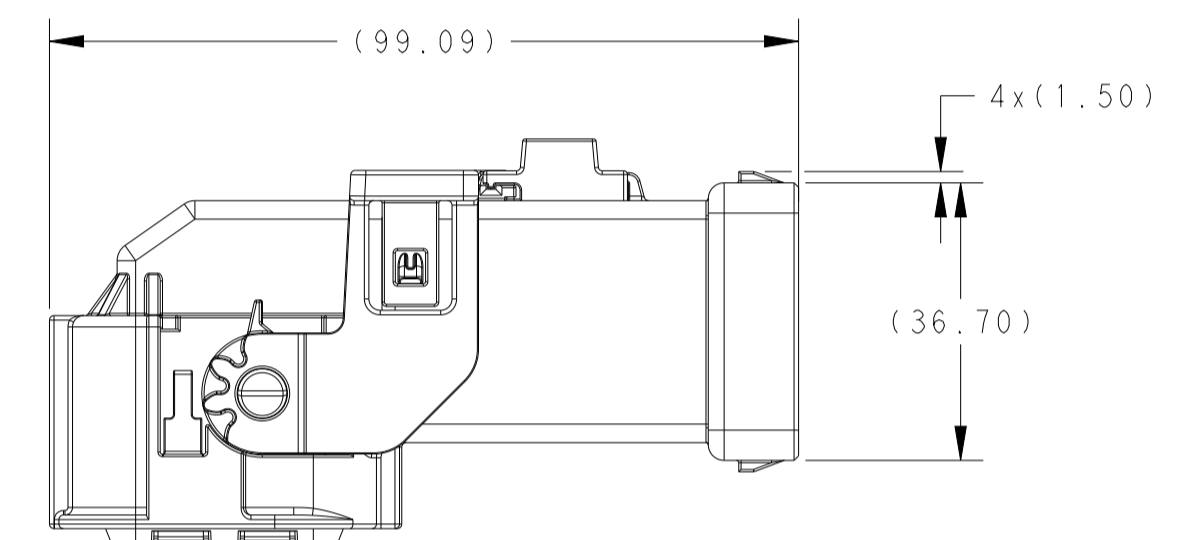
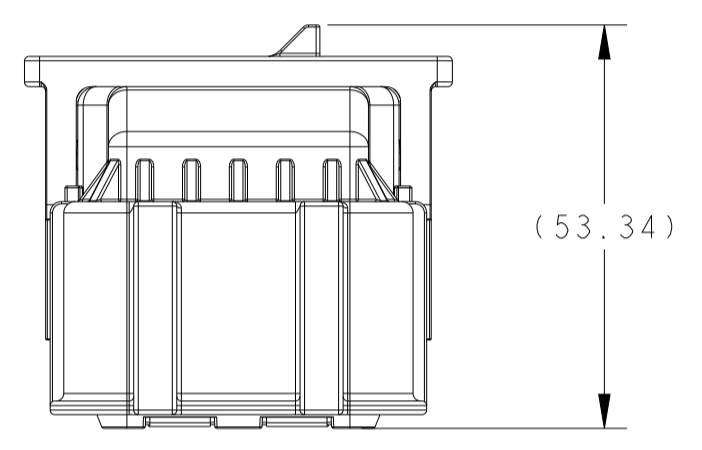
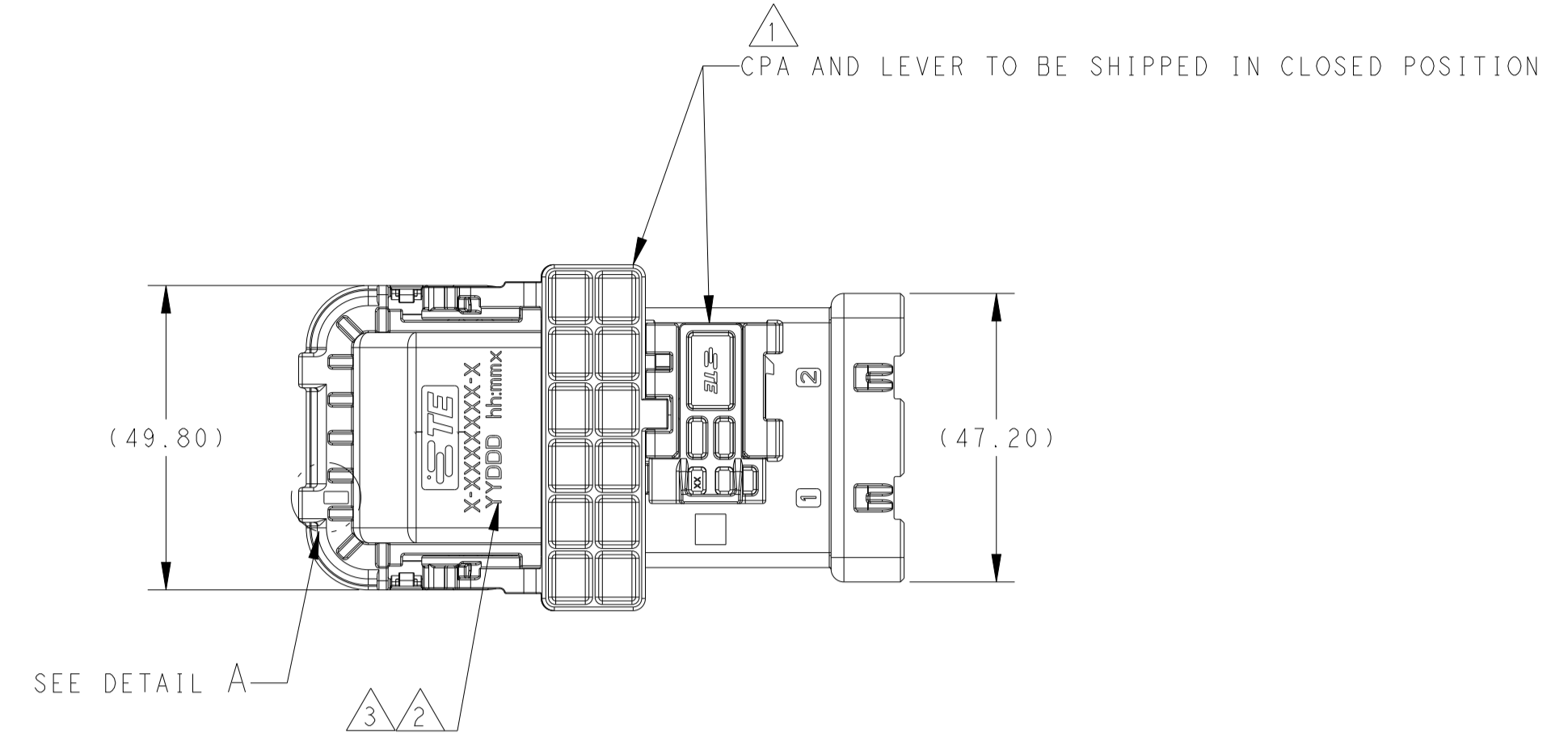
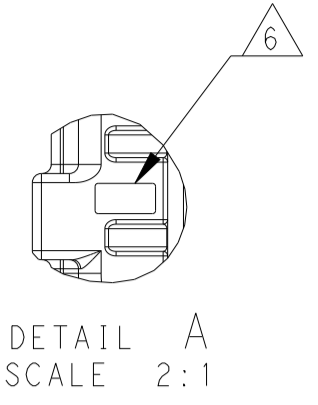
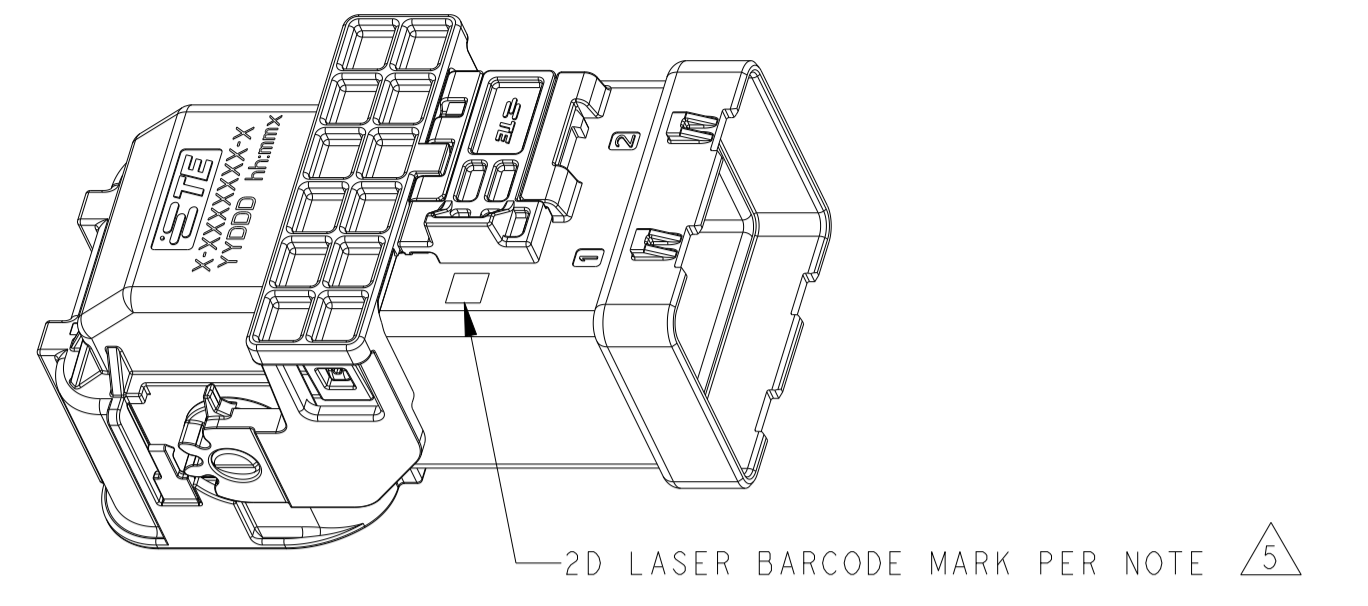


REVISIONS				
P	LTN	DESCRIPTION	DATE	OWN APVD
A		INITIAL RELEASE	06NOV2020	GTG TD
A1		ECN-21-103116	29APR2021	PK YS
A2		ECN-22-169734	05AUG2022	SM PK
A3		REV PER ECN-24-270255	20JUN2024	SMR LM

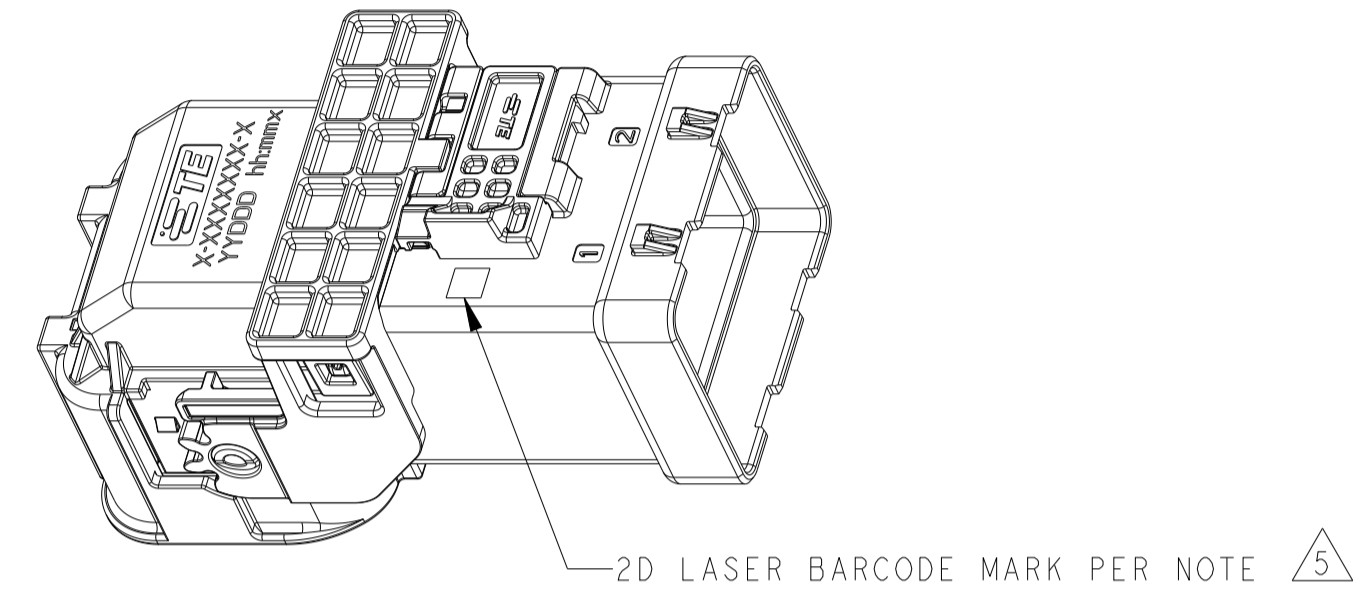
- ① DELIVER WITH LEVER AND CPA CLOSED POSITION
- ② LASER MARK DATE CODE: YYDD HH:MM FORMAT
- ③ LASER MARK TE PART NUMBER
- 4. FOR MATING COMPONENTS SEE C-2349157
- ⑤ LASER MARK "OK"
- ⑥ CAVITY ID MARKING IN RECESSED AREA



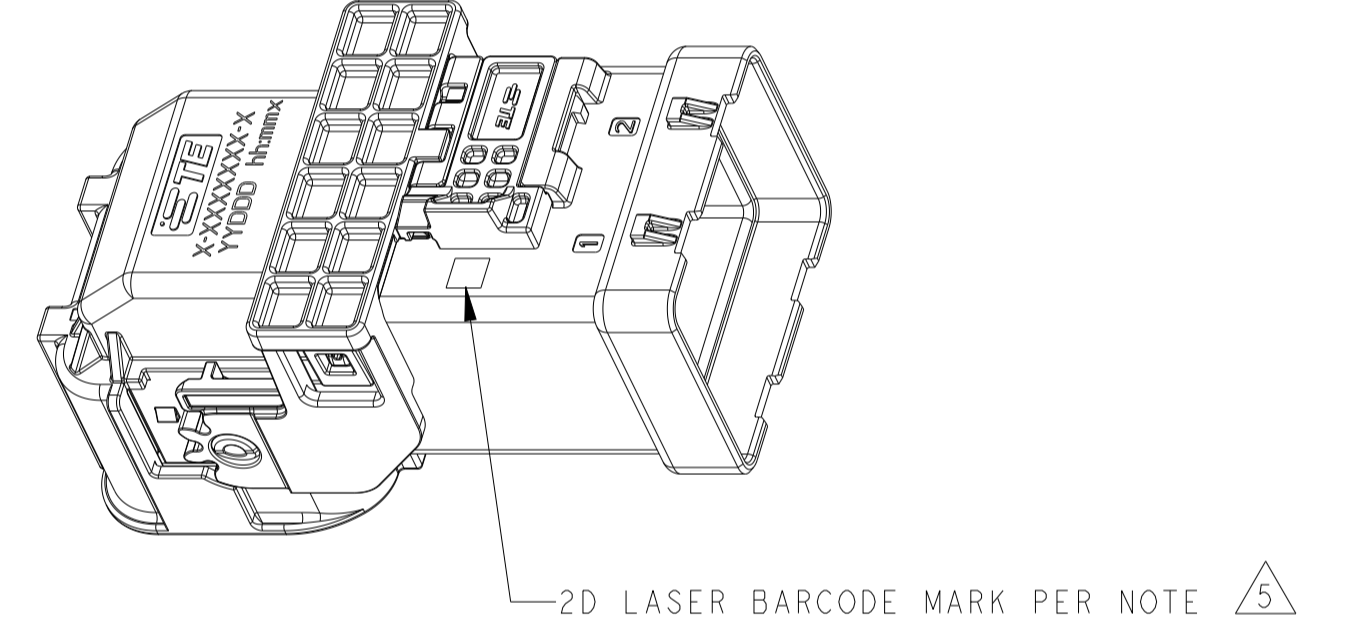
2840900-1 SHOWN UNLESS OTHERWISE SPECIFIED



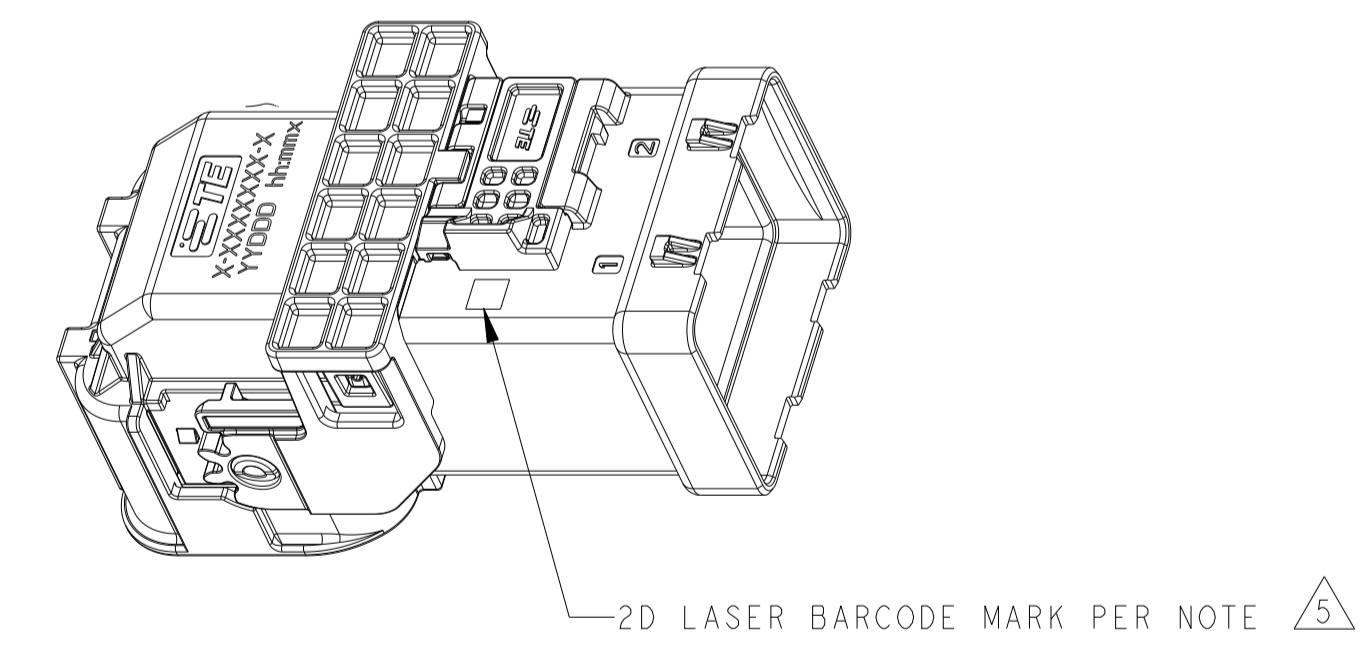
2840900-1 SHOWN AS SHIPPED TO TIER ONE CUSTOMER FROM TE (LEVER AND CPA CLOSED)



1-2840900-1 SHOWN AS SHIPPED TO TIER ONE CUSTOMER FROM TE (LEVER AND CPA CLOSED)

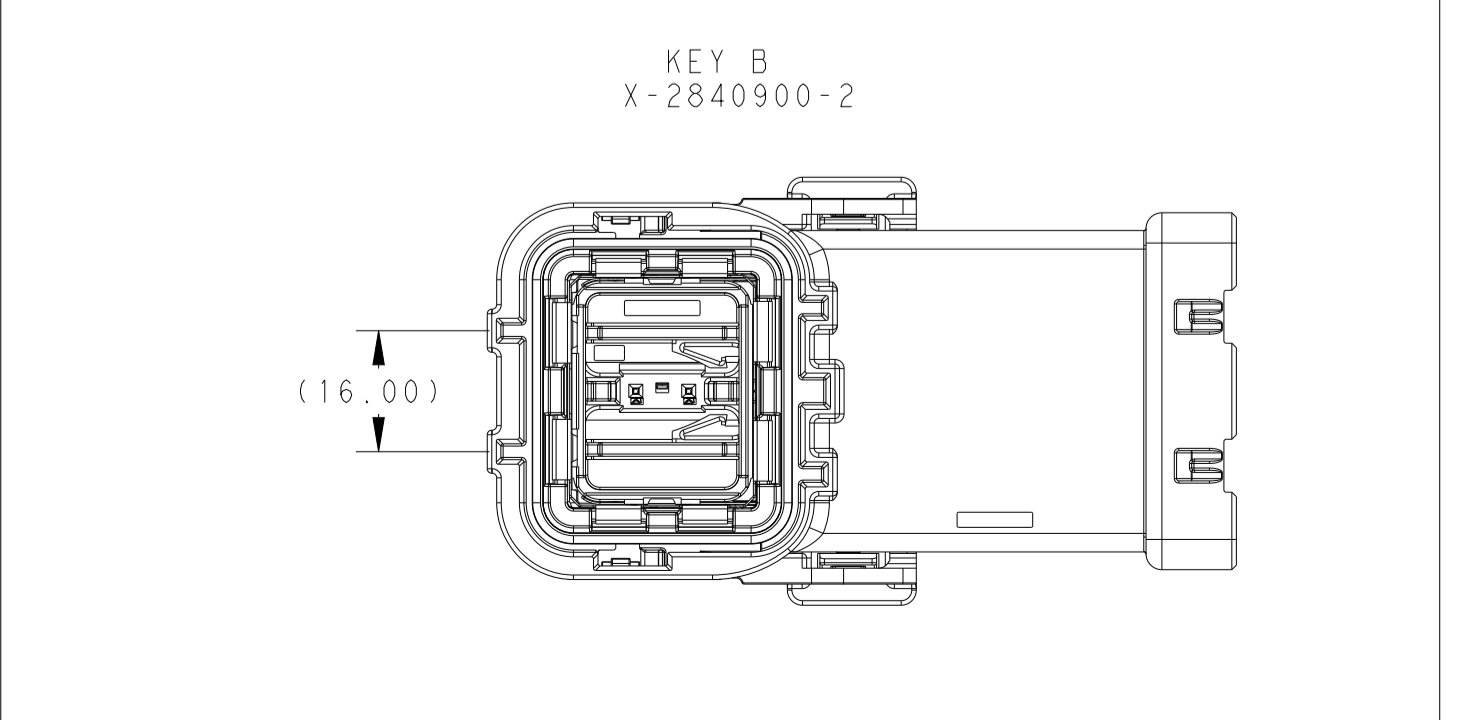
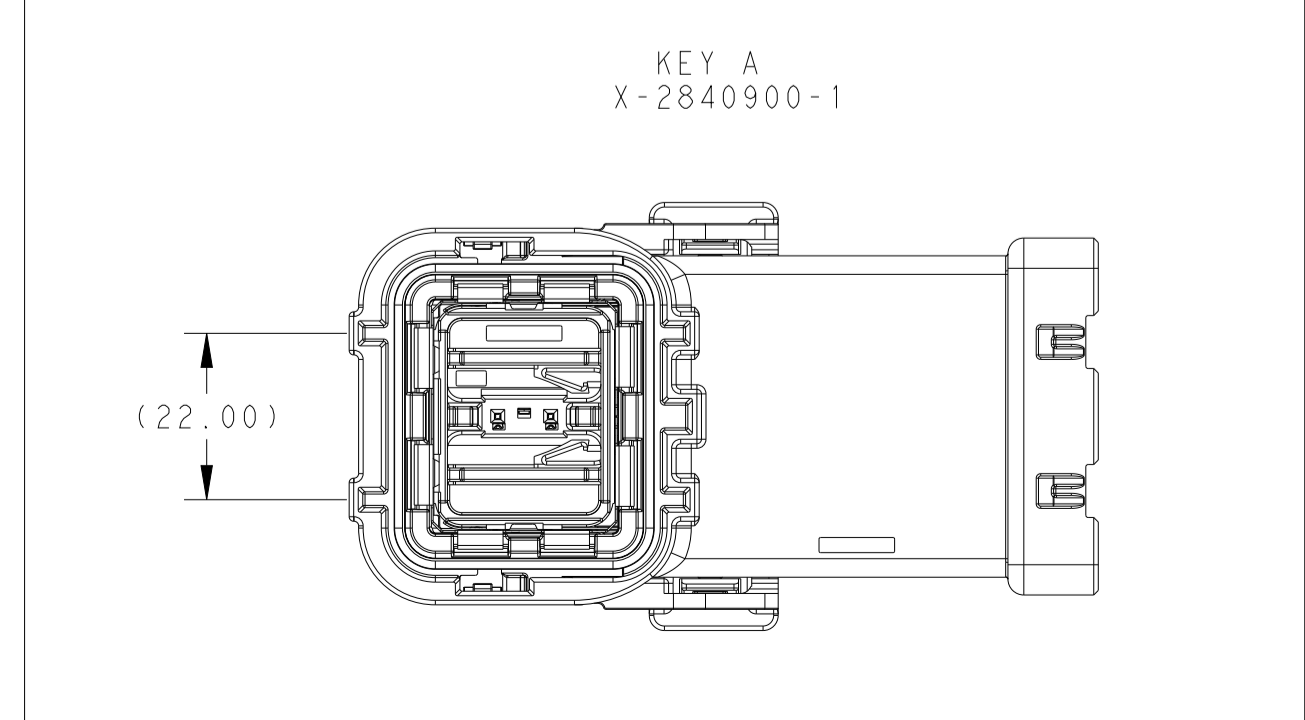


2-2840900-1 SHOWN AS SHIPPED TO TIER ONE CUSTOMER FROM TE (LEVER AND CPA CLOSED)



3-2840900-1 SHOWN AS SHIPPED TO TIER ONE CUSTOMER FROM TE (LEVER AND CPA CLOSED)

STATUS	DESCRIPTION	INDEX	PART NUMBER
ACTIVE	HC-STAK 25 PLUG ASSEMBLY KEY B	B	3-2840900-2
	HC-STAK 25 PLUG ASSEMBLY KEY A	A	3-2840900-1
	HC-STAK 25 PLUG ASSEMBLY KEY B	B	2-2840900-2
	HC-STAK 25 PLUG ASSEMBLY KEY A	A	2-2840900-1
SUPERSEDED	HC-STAK 25 PLUG ASSEMBLY KEY B	B	1-2840900-2
	HC-STAK 25 PLUG ASSEMBLY KEY A	A	1-2840900-1
	HC-STAK 25 PLUG ASSEMBLY KEY B	B	2840900-2
	HC-STAK 25 PLUG ASSEMBLY KEY A	A	2840900-1



THIS DRAWING IS A CONTROLLED DOCUMENT. OWN P. KOLHATKAR 03SEP2020  
CHK T. DEWITTE 03SEP2020

DIMENSIONS: mm TOLERANCES UNLESS OTHERWISE SPECIFIED

0 PLC	±
1 PLC	±
2 PLC	±
3 PLC	±
4 PLC	±
ANGLES	±
FINISH	±

MATERIAL: -

APVD: T. DEWITTE 03SEP2020

PRODUCT SPEC: 108-160108

APPLICATION SPEC: 114-162001

WEIGHT: -

CUSTOMER DRAWING

NAME: PLUG SUB-ASSEMBLY HC-STAK 25-2PHI

SIZE: A | 00779 | C=2840900

RESTRICTED TO: -

SCALE: 1:1 SHEET 1 OF 1 REV A3