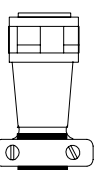
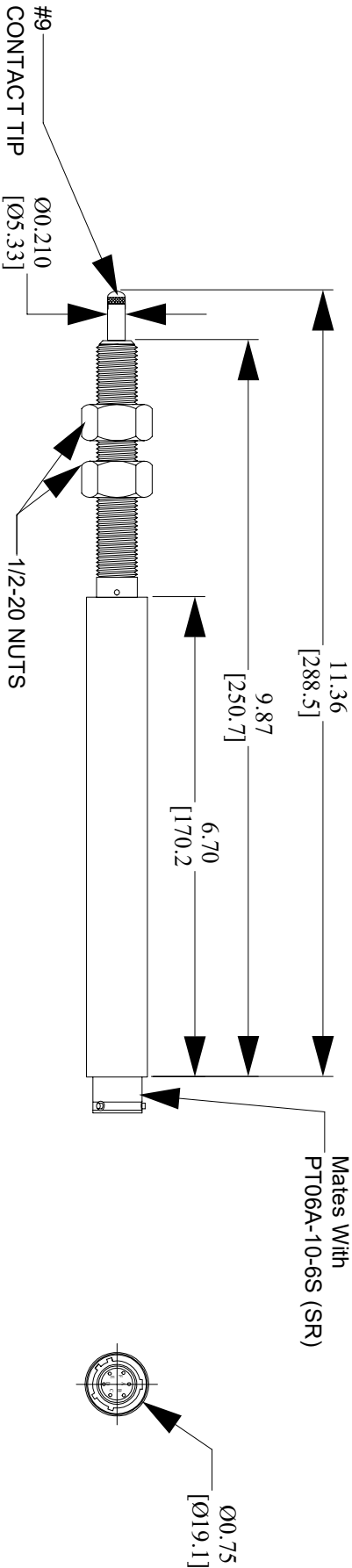


# SPECIFICATIONS

- INPUT VOLTAGE: +/-15V DC (NOM) +/-25ma
- ELECTRICAL STROKE: +/- 0.500"
- SCALE FACTOR: 20 V/INCH
- LINEARITY: 0.25% OF FULL RANGE (MAX)
- NULL VOLTAGE: 0V DC
- RIPPLE: < 25mV rms
- STABILITY: 0.125% FULL SCALE
- OUTPUT IMPEDANCE: <200 OHMS
- OPERATING TEMPERATURE: 0 TO 160 DEG. F
- REPEATABILITY: 0.00002"
- SHOCK SURVIVAL: 1000 g's, 11ms
- VIBRATION (DC TO 2000 Hz): 20 g's rms
- PRE TRAVEL: 0.10" (NOM)
- OVER TRAVEL: 0.08" (NOM)

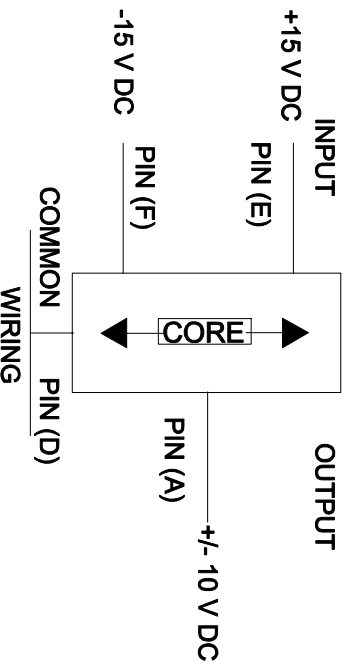
# REVISIONS

| REV. | DESCRIPTION                                | DATE:    | APPR.  |
|------|--|----------|--------|
| A    | REDRAWN WITHOUT CHANGE                     | 2/9/98   | R.E.A. |
| B    | SHORTENED ALL LENGTHS .040" ECR/ECHN # 222 | 6/28/00  | R.E.A. |
| C    | REVISED OVER STROKE PER ECR/ECHN #615      | 10/29/03 | R.E.A. |
| C1   | REDRAWN WITH NO CHANGES                    | 09/28/20 |        |




**PT06-10-6S (SR) OR EQUIV.  
MATING CONNECTOR SUPPLIED**

[ ] DENOTES MILLIMETER



MATERIAL:

|   |           |                   |                |  |                             |
|---|-----------|-------------------|----------------|--|-----------------------------|
| UNLESS OTHERWISE SPECIFIED ALL DIMENSIONS ARE IN INCHES TOLERANCES ARE:<br>ANGLES: +/- 0.5 DEG.<br>FRACTIONS: +/- 1/64.<br>DECIMAL: XX = +/- .01<br>XXX = +/- .005          |           | DRAFTSMAN: R.E.A. | DATE: 7 APR 96 | <br><small>FLAT-CONNECTING CABLES</small> | TITLE: GHSD 750 500 OUTLINE |
| FINISH:   | APPROVED: | DATE:             | DATE:          |  | C.A.G.E. No. 06WW0          |
| The Drawing and Specifications are the property of Micro Sensors, Div. of Howard A. Scherwitz Technologies, Inc. DO NOT COPY without the written approval of Micro Sensors. |           | APPROVED:         | DATE:          | SCALE: NONE  | SHEET No. 1 of 1            |