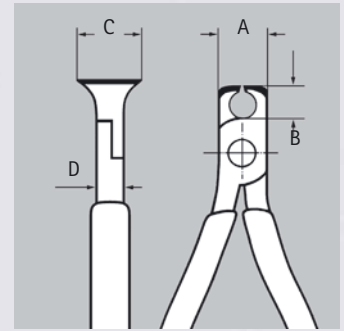


64 Electronics End Cutting Nippers

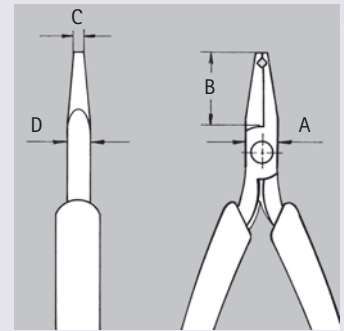


DIN ISO 9654

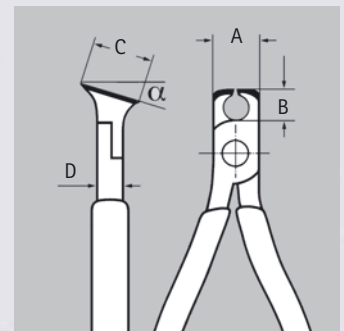
- ▶ precision pliers for ultra fine cutting work, e. g. in electronics and fine mechanics
- ▶ precision box joint
- ▶ low-friction double spring for gentle and even opening
- ▶ the polish or mirror polish (only finish 2) together with a fine film of oil offer the best possible rust protection – no circuit faults caused by peeling chrome from plated tools
- ▶ cutting edge hardness at least 56 HRC
- ▶ special tool steel, oil-hardened and tempered



64 12 115



64 22 115



64 32/42/52 115

64 01 115
Style 0: End Cutter, with bevel



64 02 115
Style 0: End Cutter, with bevel



64 12 115
Style 1: End Cutter, with small bevel



64 52 115
Style 5: Oblique End Cutter, short head, without bevel, for flush cutting, $\alpha = 27^\circ$



64 22 115
Style 2: End Cutter, mini-blade with small bevel



64 62 120
Style 6: Oblique End Cutter, mini-blade with small bevel, $\alpha = 65^\circ$



64 32 120
Style 3: Oblique End Cutter, short head, with small bevel, $\alpha = 15^\circ$



64 72 120
Style 7: Oblique End Cutter, mini-blade with small bevel, head with recess, $\alpha = 35^\circ$



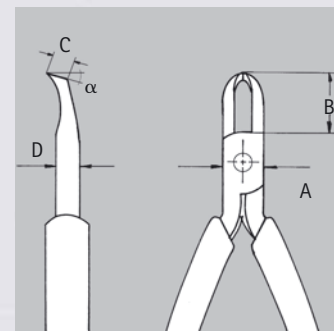
64 42 115
Style 4: Oblique End Cutter, short head, with small bevel, $\alpha = 27^\circ$



64 22 115

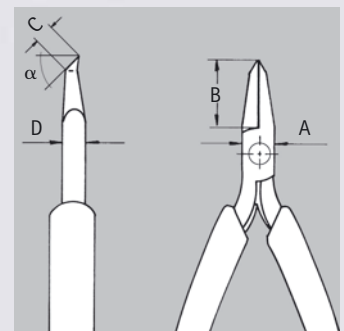
64 62 120

differently shaped jaws and mini-blades for flush cutting in confined areas



64 72 120

64 72 120



64 62 120

Article-No.	EAN-Code	Style	Head	Handles	Dimensions				Cutting capacities			
					B	A	D	C	\varnothing mm	\varnothing mm	\varnothing mm	g
64 01 115	017745	0	polished	plastic coated	6.0	11.0	7.5	16.0	2.0	1.0	0.6	80
64 02 115	035343		mirror polished	with two-colour dual component handles	6.0	11.0	7.5	16.0	2.0	1.0	0.6	90
64 11 115	017769	1	polished	plastic coated	6.0	11.0	7.0	16.0	1.4	0.8	-	80
64 12 115	040743		mirror polished	with two-colour dual component handles	6.0	11.0	7.0	16.0	2.0	0.8	0.5	90
64 22 115	017806	2			20.0	10.0	6.0	3.0	0.8	-	-	70
64 32 120	017820	3			10.0	11.0	7.0	17.0	1.5	1.0	0.5	90
64 42 115	017844	4			10.3	10.0	7.0	12.0	1.5	1.0	0.5	70
64 52 115	040439	5			10.0	10.0	7.0	12.0	1.3	-	-	70
64 62 120	046998	6			18.5	9.5	6.0	5.0	0.6	-	-	70
64 72 120	017882	7			19.5	12.0	7.0	5.0	1.5	-	-	90