

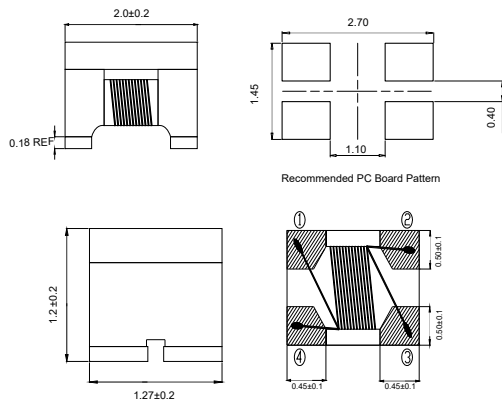
Wire Wound Type Common Mode Filter



- 1.High common mode impedance at high frequency Effects excellent noise suppression performance
- 2.100% Lead(Pb) & Halogen-Free and RoHS compliant.
- 3.Operating temperature-40~+125 °C (Including self - temperature rise)
- 4.FOR LAN Module application

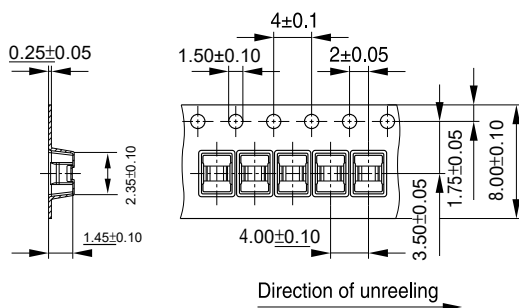
Part Number	Common mode Impedance (Ω)	Test Frequency (MHz)	Capacitance (pF)Max	DC Resistance (Ω) max.	Rated Current (mA)max.	Rated Volt. (Vdc)max.	Withstand Volt. (Vdc) max.	IR (Ω) min.
LC0402SN F	800±25%	100	5	0.88	300	50	125	10M

MECHANICAL



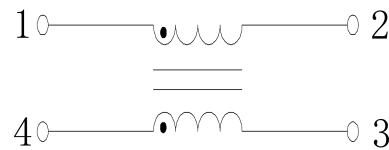
Dimension : mm

TAPING AND PACKING

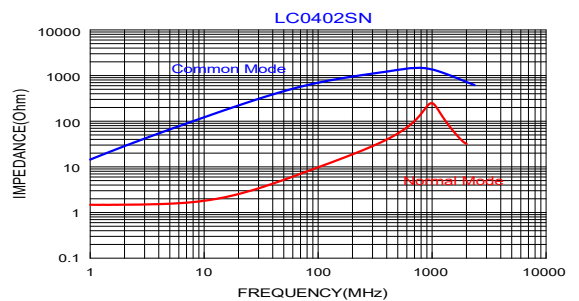


Quantity (pcs):
10000 PCS PER REEL
10 REELS PER CARTON
100000PCS PER CARTON

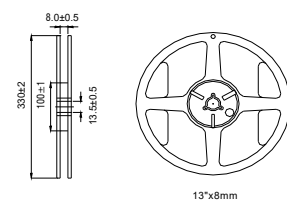
SCHEMATICS



IMPEDEANCE FREQUENCY



Reel



Dimensions in mm