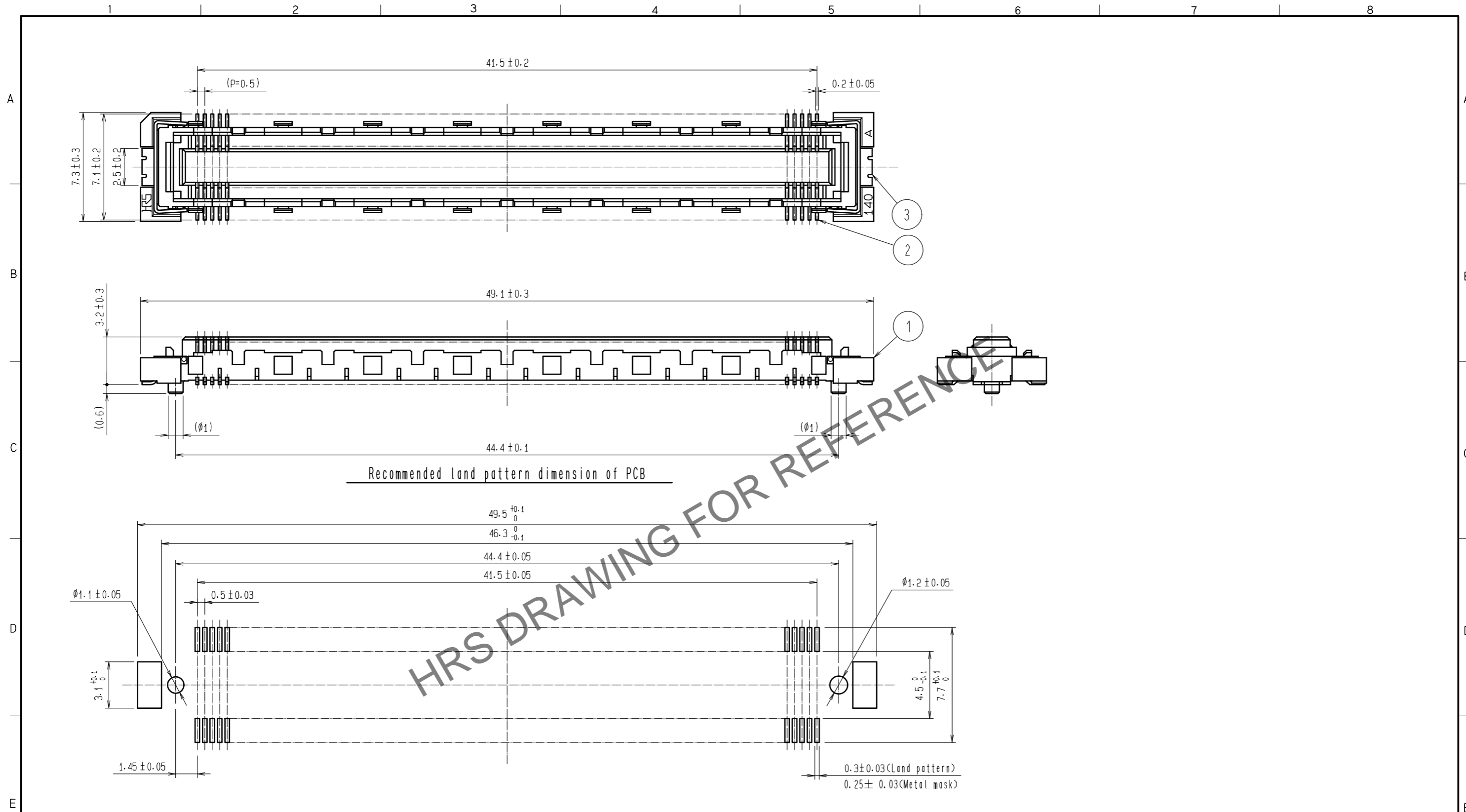


Jun.1.2024 Copyright 2024 HIROSE ELECTRIC CO., LTD. All Rights Reserved.
 In case of consideration for using Automotive equipment / device which demand high reliability, kindly contact our sales window correspondents.

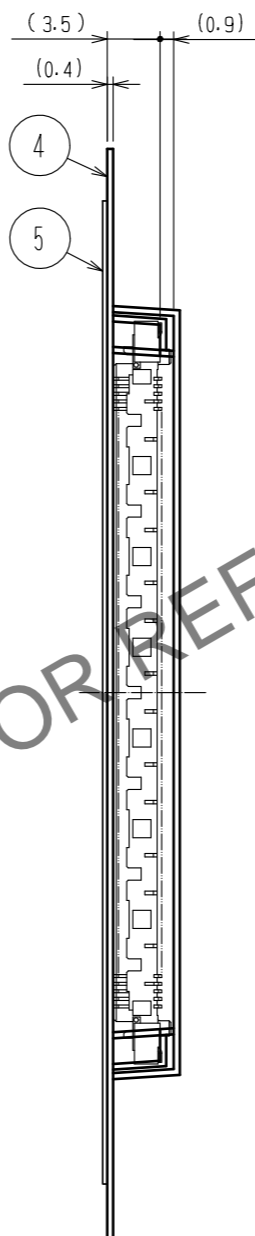
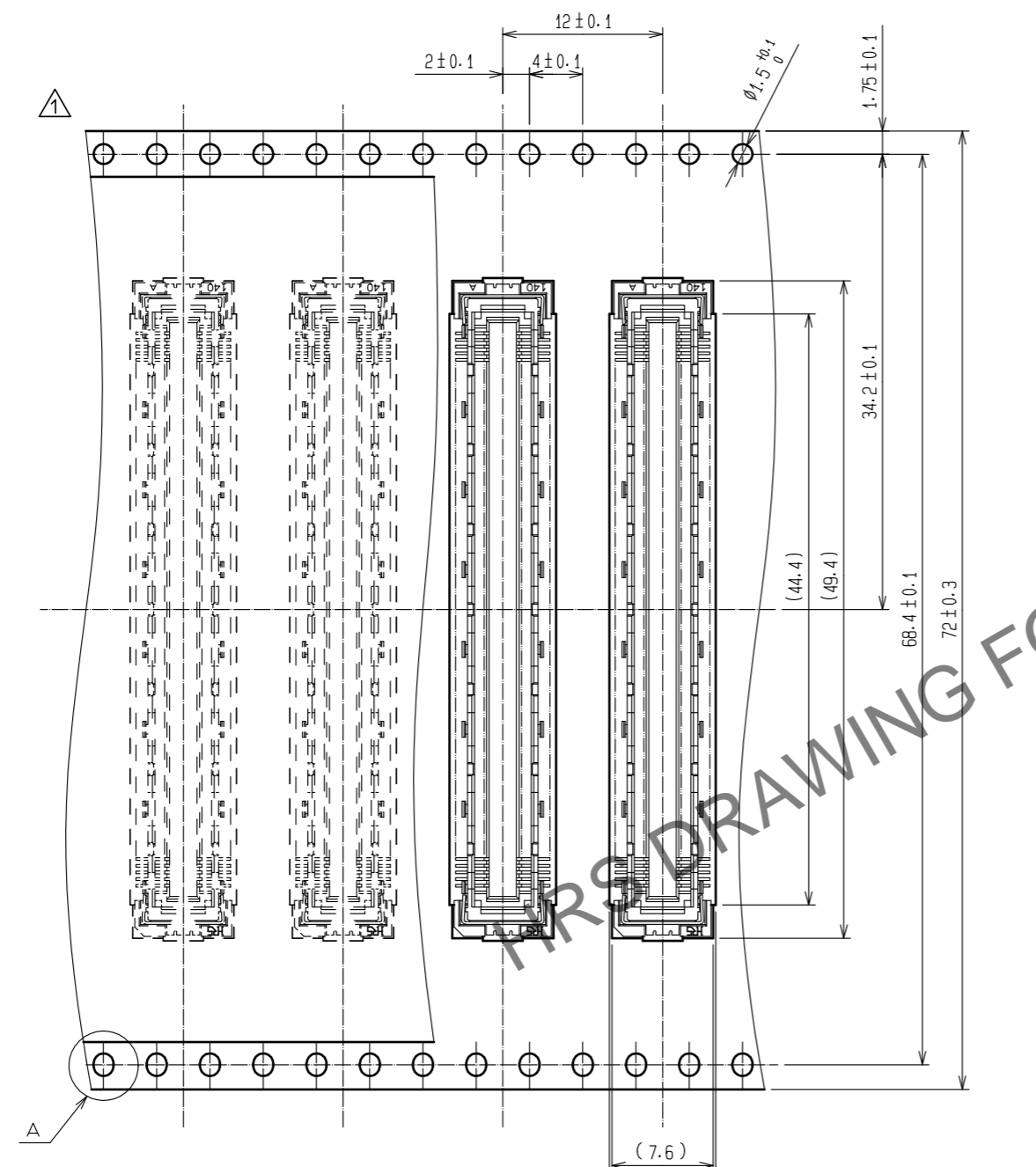


- Notes
- 1 SMT lead - coplanarity : 0.1 max.
 - 2 This product has no polarity to pattern for mounting.
 - 3 Emboss carrier tape package is applied on this product. Please refer to the sheet 2/2 for the details.

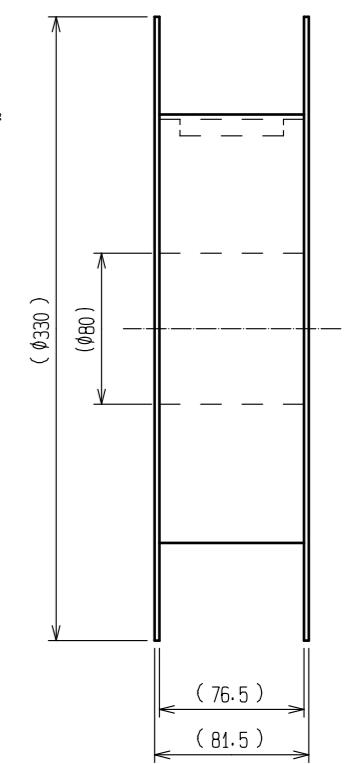
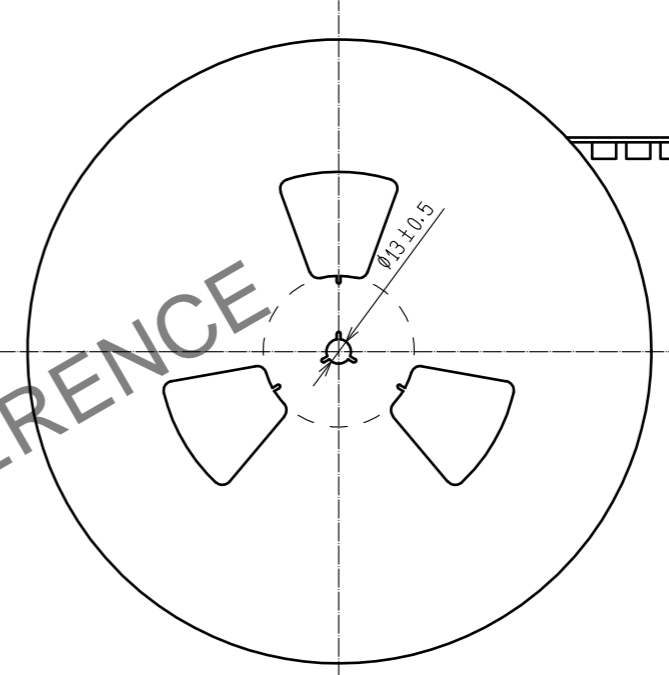
2	Phosphor blonze	Contact area : Gold 0.1 μ m min	5	Polyester	(Top cover tape)
		Lead : Gold 0.05 μ m min		4	Polyethylene
1	LCP	Beige UL94V-0	3	Phosphor blonze	Tin - plating
NO.	MATERIAL	FINISH . REMARKS	NO.	MATERIAL	FINISH . REMARKS
UNITS mm		SCALE 4 1	COUNT 1	DESCRIPTION OF REVISIONS DIS-F-00011032	
APPROVED : KJ. KATAYOSE 20050105			DESIGNED MT. ITANO	CHECKED HT. YAMAGUCHI	
CHECKED : HS. OKAWA 20050105			DATE 20211007		
DESIGNED : KT. DOI 20050105			DRAWING NO. EDC3-151987-01		
DRAWN : KT. DOI 20050105			PART NO. FX10A-168S-SV(21)		
HRS HIROSE ELECTRIC CO., LTD.			CODE NO. CL0570-0244-7-21		

Jun.1.2024 Copyright 2024 HIROSE ELECTRIC CO., LTD. All Rights Reserved.
 In case of consideration for using Automotive equipment / device which demand high reliability, kindly contact our sales window correspondents.

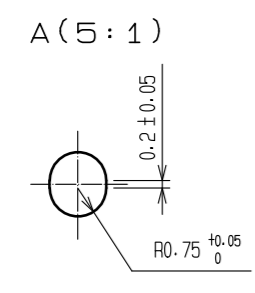
Drawing for packing (2:1)



Reeled dimension (Free)



The direction of pulling out



- Notes
- 4 1reel : 1,000 connectors.
 - 5 Minimum 10 compartments from both reel ends remain empty.
 - 6 This product has no polarity to tape and reel packaging.
 - 7 The dimensions in parentheses are for reference.

HRS	DRAWING NO.	EDC3-151987-01	
	PART NO.	FX10A-168S-SV(21)	
	CODE NO.	CL0570-0244-7-21	