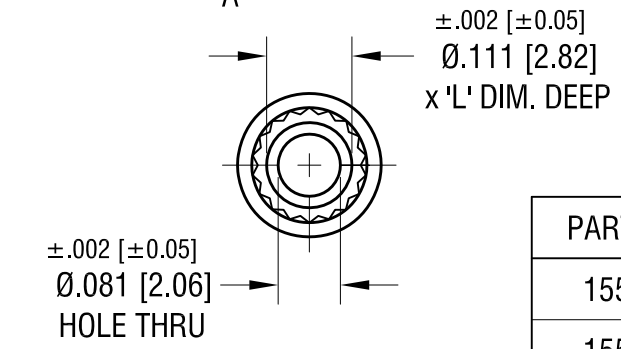
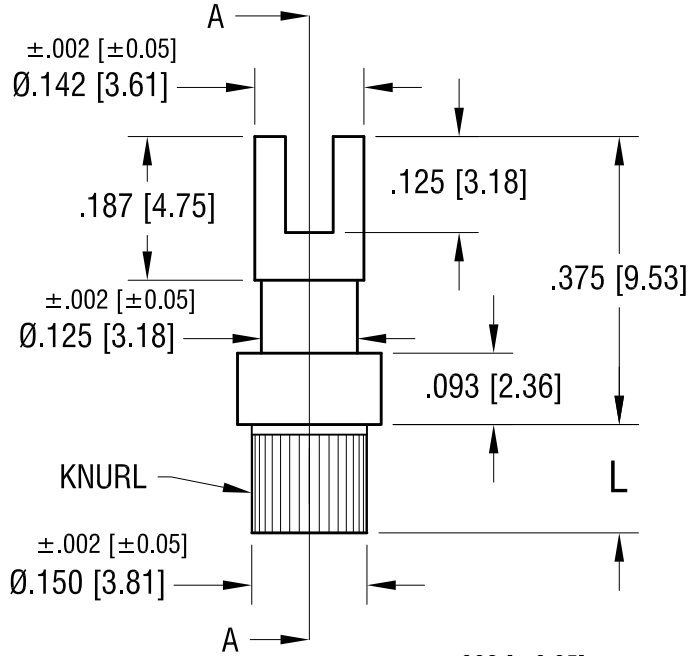
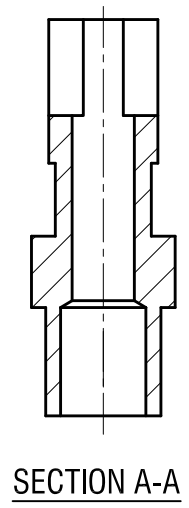
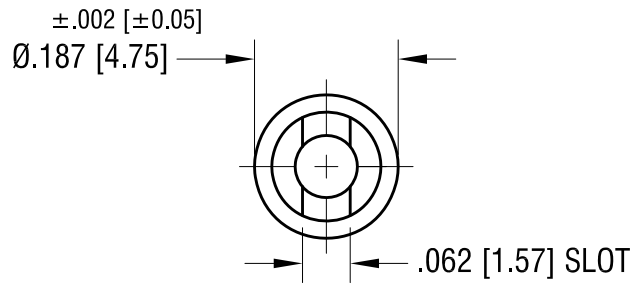


THIS DOCUMENT IS THE PROPERTY OF
KEYSTONE ELECTRONICS CORP. AND
SHALL NOT BE REPRODUCED, DISTRIBUTED
OR USED AS A BASIS FOR MANUFACTURE
WITHOUT PRIOR WRITTEN PERMISSION
FROM KEYSTONE ELECTRONICS CORP.

ACTUAL SIZE



P/N 1557-2



| PART NO. | 'L' DIM. |
|----------|-------------|
| 1557-2 | .109 [2.77] |
| 1557-3 | .141 [3.58] |
| 1557-4 | .172 [4.37] |

KEYSTONE ELECTRONICS CORP.
www.keyelco.com • NEW HYDE PARK NY 11040 • Tel (516)328-7500

| | | | |
|----------------------------|--|----------|---------|
| PART NAME | | TERMINAL | |
| MATERIAL | | BRASS | |
| FINISH | | DRN BY | DATE |
| TIN PLATE | | BOONE | 6.17.02 |
| TOLERANCES | | APP'D | SCALE |
| INCH [MM] | | RH | 4X |
| DECIMAL ±.005 [±0.13] | | DWG NO. | |
| ANGULAR ± 1° | | 1557- | |
| UNLESS OTHERWISE SPECIFIED | | C | |

| DATE | DESCRIPTION | REV. |
|------|-------------|------|
| | | |